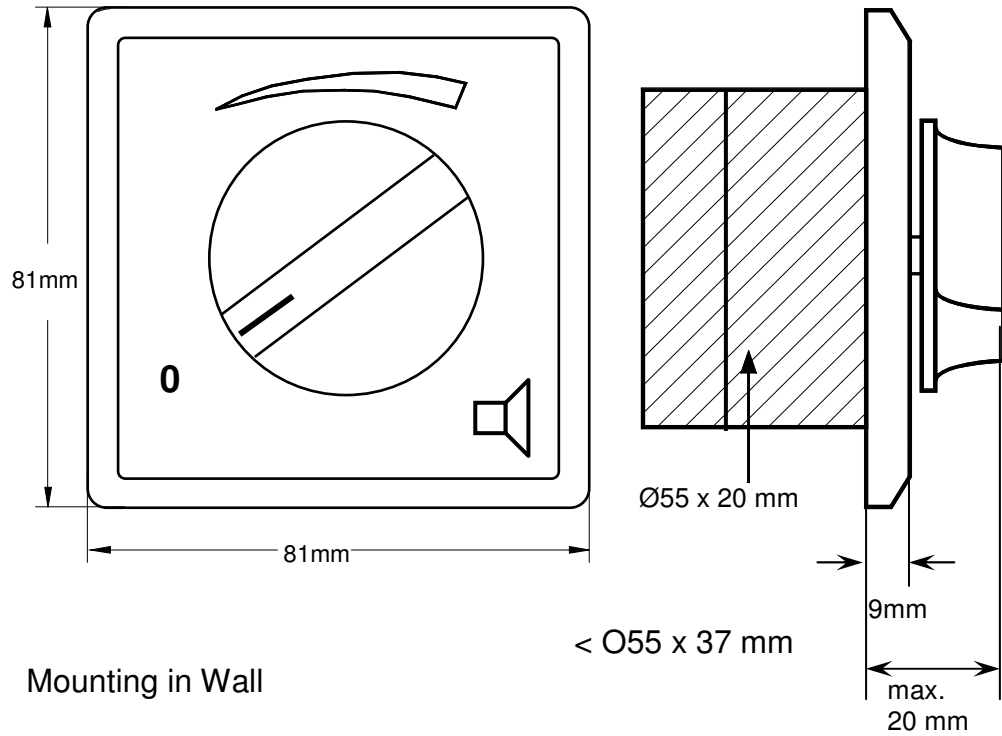
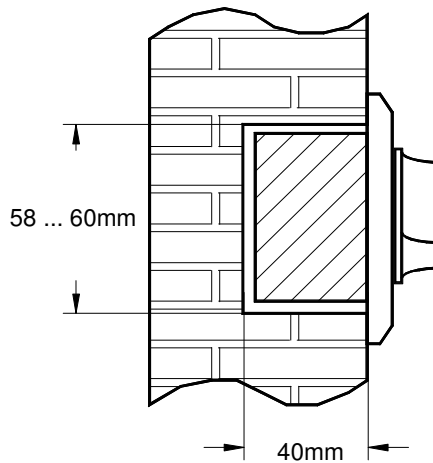


Attenuator (Volume Control) AT-12UPR



Mounting in Wall



Specifications

Input voltage/power	100VAC, max. 12W
Volume steps	0, -6, -12, -18, -24, -30, -36, -42, -infinite dB
Bypass relay	24 V DC (max. 35 V DC), 7 mA
Dimensions (W x H x D)	81 x 81 x 58 mm (mounting depth less than 40 mm)