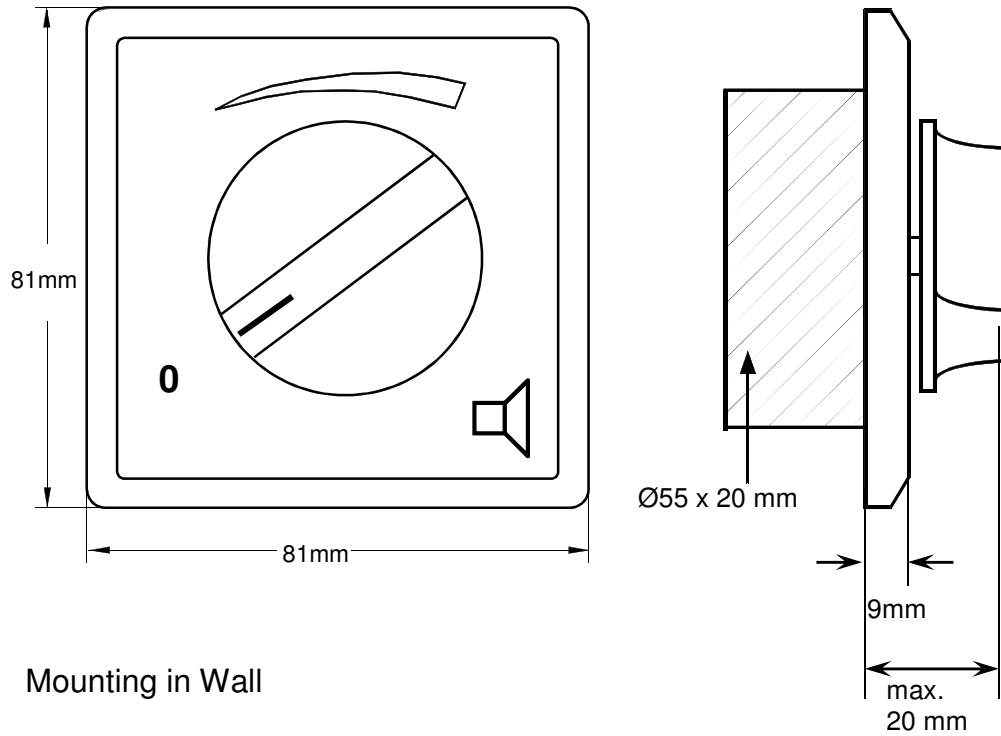
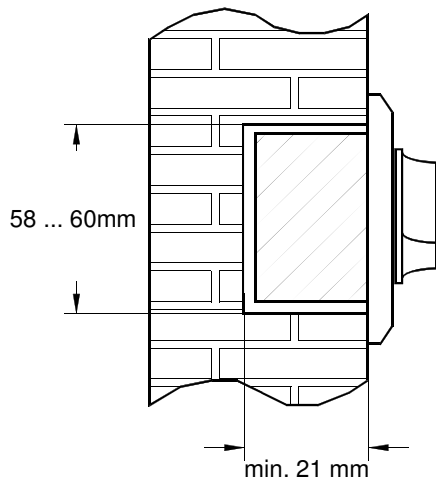


Attenuator (Volume Control) AT-12UP



Mounting in Wall



Specifications

Input voltage/power	100VAC, max. 12W
Volume steps	0, -6, -12, -18, -24, -30, -36, -42, -infinite dB
Dimensions (W x H x D)	81 x 81 x 40 mm (mounting depth min.21 mm)