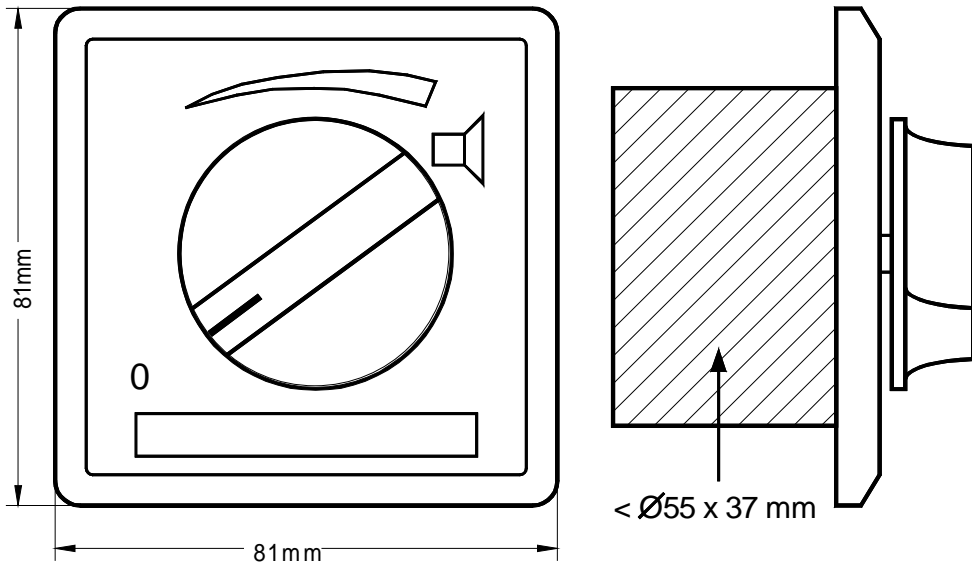
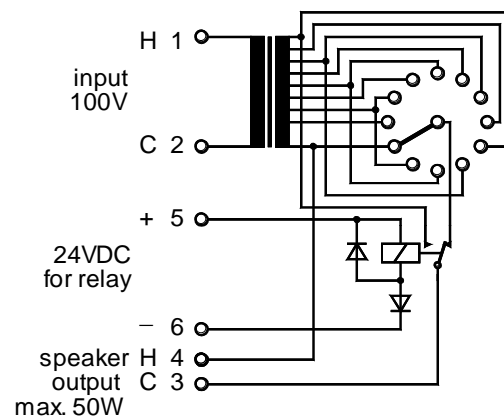
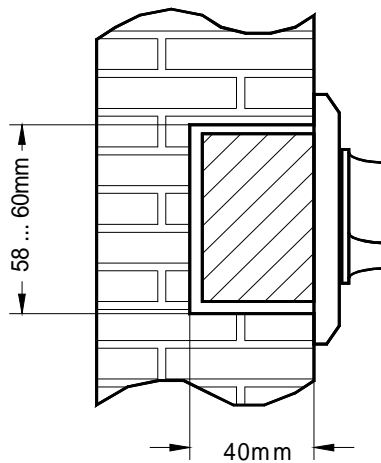


## Attenuator (Volume Control) AT-50UPR



Mounting in Wall

Schematics



### Specifications

Frequency response	70 Hz - 15 kHz (0, -3 dB)
Input voltage/power	100VAC, max. 50W
Output power	50/25/12.5/6/3/1.5/0.75/0.4 W
Dimensions (W x H x D)	81 x 81 x 58 mm (mounting depth less than 40 mm)