

# UNIVERSAL SPEAKER

# BS-1110W BS-1120W


Please follow the instructions in this manual to obtain the optimum results from this speaker.

We also recommend that you keep this manual handy for future reference.


The BS-1110W and BS-1120W Speakers feature the wide-band and high-quality design which makes them ideal for such applications as announcements and music reproduction.

## 1. SAFETY PRECAUTIONS


- Be sure to read the instructions in this section carefully before use.
- Make sure to observe the instructions in this manual as the conventions of safety symbols and messages regarded as very important precautions are included.
- We also recommend you keep this instruction manual handy for future reference.

 **WARNING** Indicates a potentially hazardous situation which, if mishandled, could result in death or serious personal injury.

- Use only the specified amplifier output voltage and impedance, as exceeding the specified limits could result in fire or other failures (high-impedance applications).
- To avoid accidental air explosions, do not use the unit around gasoline, thinner or other combustibles.
- Install the unit only in a location that can structurally support the weight of the unit and the mounting bracket. Doing otherwise may result in the unit falling down and causing personal injury and/or property damage.
- Do not use other methods than specified to mount the bracket. Extreme force is applied to the unit and the unit could fall off, possibly resulting in personal injuries.
- Use nuts and bolts that are appropriate for the ceiling's or wall's structure and composition. Failure to do so may cause the speaker to fall, resulting in material damage and possible personal injury.
- Tighten each nut and bolt securely. Ensure that the bracket has no loose joints after installation to prevent accidents that could result in personal injury.
- Attach the safety wire to the unit when mounting in locations high above the ground. Failure to do so could result in personal injury if the speaker should later fall for any reason.

 **WARNING** Indicates a potentially hazardous situation which, if mishandled, could result in death or serious personal injury.

- Avoid mounting the unit in locations exposed to constant vibration. The mounting bracket can be damaged by excessive vibration, potentially causing the speaker to fall, which could result in personal injury.

 **CAUTION** Indicates a potentially hazardous situation which, if mishandled, could result in moderate or minor personal injury, and/or property damage.

- To avoid electric shocks, be sure to switch off the amplifier power when connecting the speaker.
- Avoid installing the unit in humid or dusty locations, or in locations exposed to heaters, solvents, acid, alkali, smoke, or steam, as excessive exposure to these factors could result in the speaker falling off, electric shock or fire.
- Do not operate the unit for an extended period of time with the sound distorting. This is an indication of a malfunction, which in turn can cause heat to generate and result in a fire.
- Do not stand or sit on, nor hang down from the unit as this may cause it to fall down or drop, resulting in personal injury and/or property damage.
- Have the unit periodically checked by the shop from where it was purchased. Failure to do so could result in the speaker falling off due to damage or corrosion to the speaker or its mounts, and possible personal injury.

## 2. FEATURES

- A built-in matching transformer permits the speaker to be used for both high-impedance and low-impedance (BS-1110W: 4 Ω, BS-1120W: 8 Ω) applications. The impedance can be easily changed from outside the speaker.
- Mountable to wall surfaces directly or using with supplied or optional mounting brackets.

## 3. INPUT IMPEDANCE CHANGE

The speaker's impedance is factory-preset as follows.

BS-1110W: 100 V line, 10 W (1k Ω) input

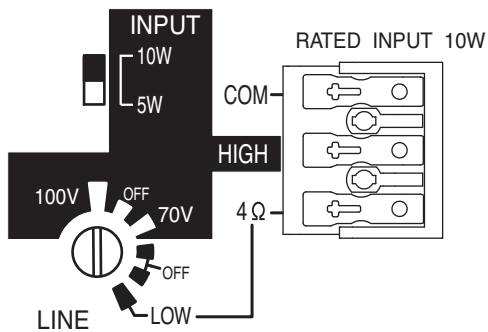
BS-1120W: 100 V line, 20 W (500 Ω) input

To change the impedance, use the rear-mounted slide switch.

### 3.1. High Impedance (70 V or 100 V Line) Applications

Set the LINE switch to 70 V or 100V, and also the INPUT switch to 10 W or 5 W you use. (The example below shows the setting for 10 W on the 100 V line of the BS-1110W.)

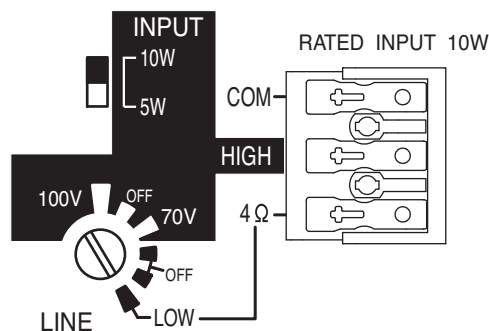
In this case, use the speaker terminals HIGH and COM for connection to an amplifier.



### 3.2. Low Impedance Applications

Set the LINE switch to the LOW position. (Shown below is a setting example of the BS-1110W.)

In this case, use the speaker terminals 4 Ω and COM for connection to an amplifier.



### Notes

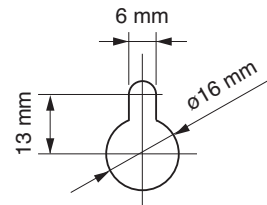
To avoid damage to the speaker, be sure to follow the instructions below.

- Switch off the amplifier power when changing the input.
- Never connect the speaker to the amplifier's 70 V or 100 V line (high impedance) when setting the LINE switch to the LOW position (4 Ω or 8 Ω).

## 4. SPEAKER INSTALLATION

### 4.1. Wall Mounting – With Surface-Mount Screws

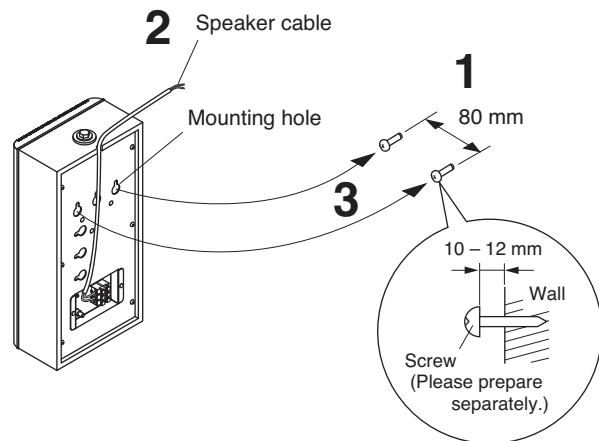
**Note:** The surface-mount screws are not supplied with the unit. Referring to the mounting hole's dimensional diagram below, prepare the screws appropriate to the wall material.



**Step 1.** Install 2 surface-mount screws in the wall 80 mm apart and leave them sticking out approximately 10 – 12 mm from the wall surface.

**Step 2.** Connect the speaker cable.

**Step 3.** Place the speaker's rear panel mounting holes over the 2 installed screws to mount the speaker to the wall surface.



### Note

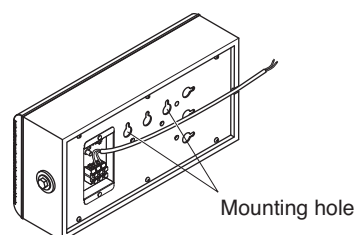
Route the speaker cable as shown in the figure so that it is not pinched between the speaker and the wall surface.

### [When installing the BS-1110W horizontally]

Use the relevant mounting holes shown below. (BS-1110W only)

### Note

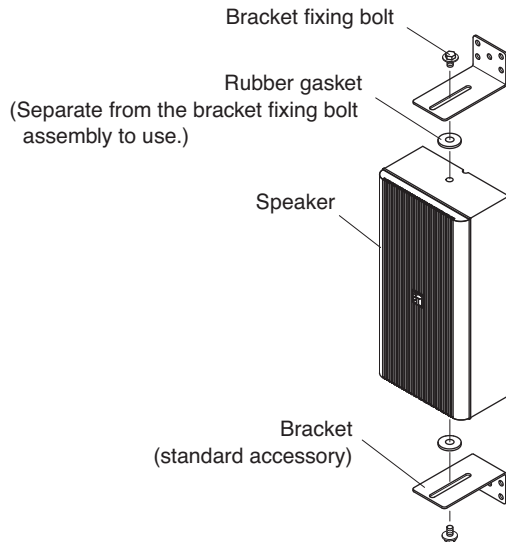
As for the BS-1120W, never use the mounting holes for its horizontal installation.



## 4.2. Wall Mounting – With Supplied Bracket

**Step 1.** Attach the bracket to the speaker using the supplied bracket fixing bolt\*.

\* Pre-mounted to the speaker at the factory. Remove it to use.



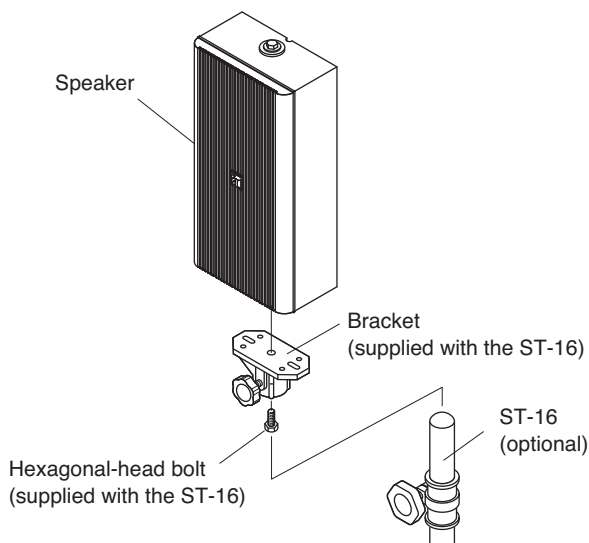
**Step 2.** Mount the speaker in the desired location using the mounting holes made in the bracket.

### Note

Bracket mounting hardware is not supplied with the unit. Referring to the bracket's dimensional diagram, prepare the screws or bolts appropriate to the wall material.

## 4.3. Mounting on the Optional ST-16 Speaker Stand (applicable to the BS-1110W only)

Remove the pre-mounted bracket fixing bolt from the bottom of the speaker, then mount the speaker stand as illustrated below.



The logo mark can be changed to correct its orientation.



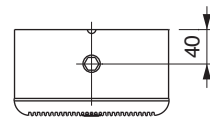
## 4.4. Mounting with Other Brackets

The following table shows the brackets that can be used for the speakers. When using these brackets, refer to their corresponding instruction manuals.

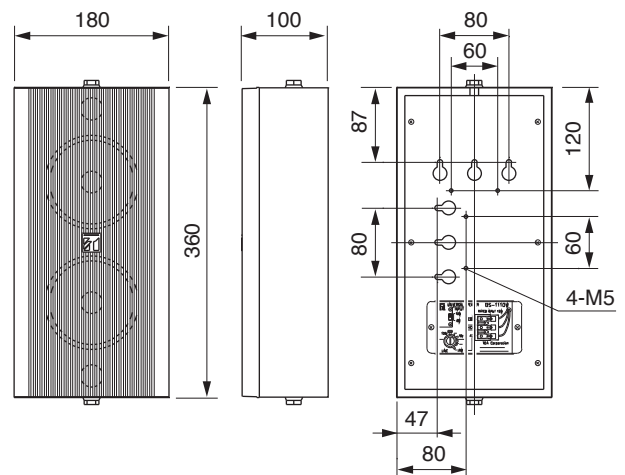
Usable Brackets	BS-1110W	BS-1120W
Speaker Mounting Bracket YS-301	OK	OK
Speaker Mounting Bracket SP-410	OK	—
Wall/Ceiling Mounting Bracket WCB-12W	OK	—
Table Mounting Bracket TMB-1W	OK	—

## 5. DIMENSIONAL DIAGRAM

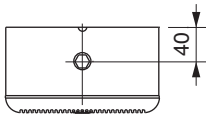
### • BS-1110W



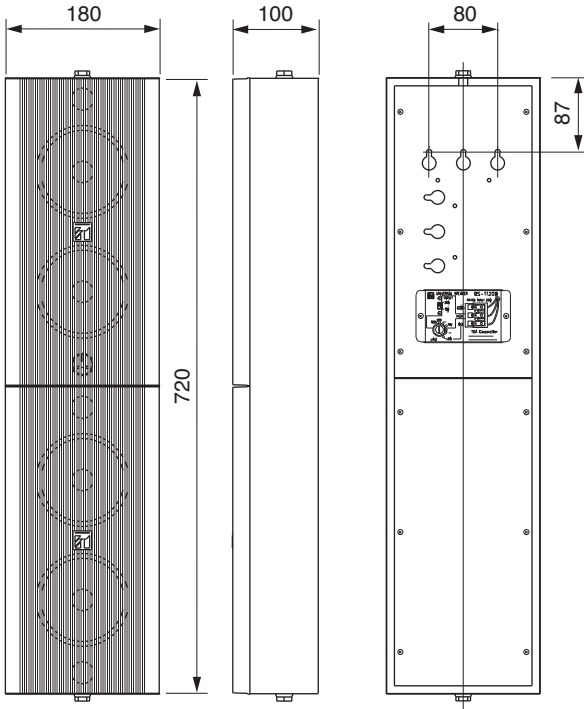
Unit: mm



• BS-1120W

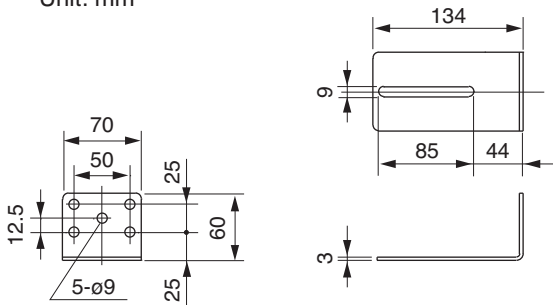


Unit: mm



• Bracket  
(standard accessory, common to BS-1110W/-1120W)

Unit: mm



6. SPECIFICATIONS

• BS-1110W

Rated Input	10 W
Rated Impedance	100 V line: 1 kΩ (10 W), 2 kΩ (5 W) 70 V line: 500 Ω (10 W), 1 kΩ (5 W) 4 Ω (10 W)
Sound Pressure Level	90 dB (1 W, 1 m)
Frequency Response	150 – 14,000 Hz
Speaker Component	12 cm cone-type x 2
Applicable Cable	600 V vinyl-insulated cable (IV wire or HIV wire) Solid copper wire: ø0.8 - ø1.2 mm 7-core twisted copper wire: 0.75 - 1.25 mm <sup>2</sup>
Connection	Push-in connector (Bridging connections possible)
Operating Temperature	- 10°C to +50°C
Dimensions	180 (w) x 360 (h) x 100 (d) mm
Finish	Enclosure: Plywood vinyl coating, white Front: ABS resin, white, paint Rear: Steel plate, white, paint Bracket: Steel plate, white, paint
Weight	2.9 kg (unit only)

**Note:** The design and specifications are subject to change without notice for improvement.

• BS-1120W

Rated Input	20 W
Rated Impedance	100 V line: 500 Ω (20 W), 1 kΩ (10 W) 70 V line: 250 Ω (20 W), 500 Ω (10 W) 8 Ω (20 W)
Sound Pressure Level	93 dB (1 W, 1 m)
Frequency Response	150 – 20,000 Hz
Speaker Component	12 cm cone-type x 4 + balanced dome-type x 1
Applicable Cable	600 V vinyl-insulated cable (IV wire or HIV wire) Solid copper wire: ø0.8 - ø1.2 mm 7-core twisted copper wire: 0.75 - 1.25 mm <sup>2</sup>
Connection	Push-in connector (Bridging connections possible)
Operating Temperature	- 10°C to +50°C
Dimensions	180 (w) x 720 (h) x 100 (d) mm
Finish	Enclosure: Plywood vinyl coating, white Front: ABS resin, white, paint Rear: Steel plate, white, paint Bracket: Steel plate, white, paint
Weight	5.1 kg (unit only)

**Note:** The design and specifications are subject to change without notice for improvement.

• Accessories (BS-1110W/-1120W)

Bracket ..... 2

Traceability Information for Europe

Manufacturer:  
TOA Corporation  
7-2-1, Minatojima-Nakamachi, Chuo-ku, Kobe, Hyogo, Japan

Authorized representative:  
TOA Electronics Europe GmbH  
Suederstrasse 282, 20537 Hamburg, Germany



TOA Corporation

URL: <http://www.toa.jp/>

133-01-00065-00