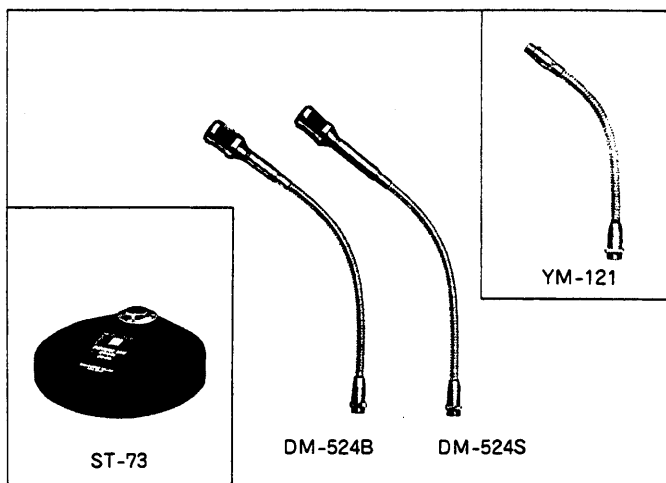


TOA DYNAMIC MICROPHONES



FEATURES

1. The dynamic microphones are characterized to eliminate handling noise as minimum.
2. The microphone stand ST-73 is so stable that it is also usable with a flexible microphone.

CAUTIONS

1. It is recommended not to disassemble the microphones in order to keep their own characteristics.
2. When announcing, do not grasp the head of microphone or microphone element section to avoid acoustic feedback.

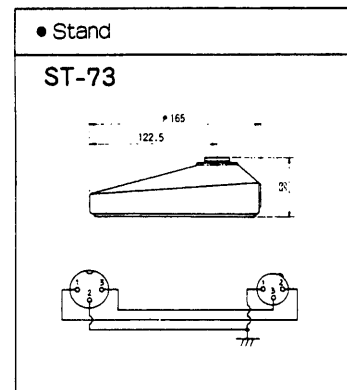
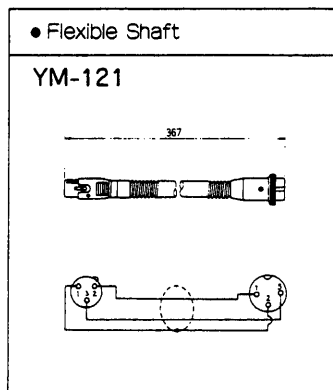
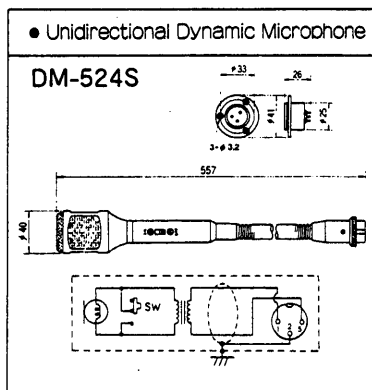
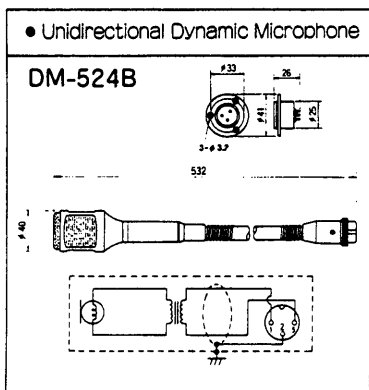
ACCESSORIES

DM-524B, DM-524S: CONNECTOR (BTS21R3A 1)

As the sound and communications specialist, TOA has developed the new flexible gooseneck microphones, their microphone stand and the flexible shaft. You may rest assured of using these products which are based on our advanced technology.

APPEARANCE AND WIRING

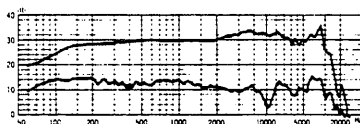
(Dimensions in mm)



FREQUENCY RESPONSE

(Frequency in Hz)

DM-524B
DM-524S



SPECIFICATIONS

| | Models | DM-524B | DM-524S |
|---|--------------------|--|----------------|
| 1 | Type | Flexible gooseneck type | |
| 2 | Directivity | Unidirectional | |
| 3 | Output Impedance | 600Ω Balanced | |
| 4 | Output Sensitivity | -76 dB | |
| 5 | Frequency Response | 100~10,000Hz | |
| 6 | Output Connector | Equivalent to BTS21P3B | |
| 7 | Weight | Approx. 456g | Approx. 475g |
| 8 | Switching Circuit | — | Short-off type |
| 9 | Finish | Body : Sparkle paint Others : Pear grained nickel plating | |

| | Models | YM-121 | ST-73 |
|---|------------------|---|--|
| 1 | Type | Flexible shaft | Stand |
| 2 | Input Connector | Equivalent to Cannon XLR-3-11C or Switchcraft C3F | Equivalent to BTS21R3A |
| 3 | Output Connector | Equivalent to BTS21P3B | Equivalent to Cannon XLR-3-14 or Switchcraft C3M |
| 4 | Weight | Approx. 295g | Approx. 2.6kg |
| 5 | Finish | Pear grained nickel plating | Black paint |

Specifications are subject to change without notice.



TOA Corporation
KOBE, JAPAN

Printed in Japan