

CEILING MOUNT BRACKETS

HY-C0801 HY-C0801W

Thank you for purchasing TOA's Ceiling Mount Bracket.
Please carefully follow the instructions in this manual to ensure long, trouble-free use of your equipment.

1. SAFETY PRECAUTIONS

WARNING

Indicates a potentially hazardous situation which, if mishandled, could result in death or serious personal injury.

- Install the unit only in a location that can structurally support the total weight of the unit and the speaker. Doing otherwise may result in the speaker falling down and causing personal injury and/or property damage.
- Owing to the speaker's size and weight, be sure that at least two persons are available to install the speaker. Failure to do so could result in personal injury.
- Do not use other methods than specified below to mount the bracket. Extreme force is applied to the unit, or rust may deteriorate the unit, which then could fall off, possibly resulting in personal injuries.
 - As the unit cannot be used separately, be sure to use it in conjunction with the specified bracket.
 - As the unit is designed for in-door use, do not install it outdoors.
 - Do not install the unit on a wall.
- Use nuts and bolts (not supplied) that are appropriate for the ceiling's structure and composition. Failure to do so may cause the speaker to fall, resulting in material damage and possible personal injury.
- Tighten each nut and bolt securely. Ensure that the bracket has no loose joints after installation to prevent accidents that could result in personal injury.
- Do not hang down from the unit as this may cause it to fall down or drop, resulting in personal injury and/or property damage.

2. GENERAL DESCRIPTION

The HY-C0801 and HY-C0801W Ceiling Mount Brackets are designed to mount the speaker system to a ceiling in conjunction with the optional speaker mount bracket.

3. SPECIFICATIONS

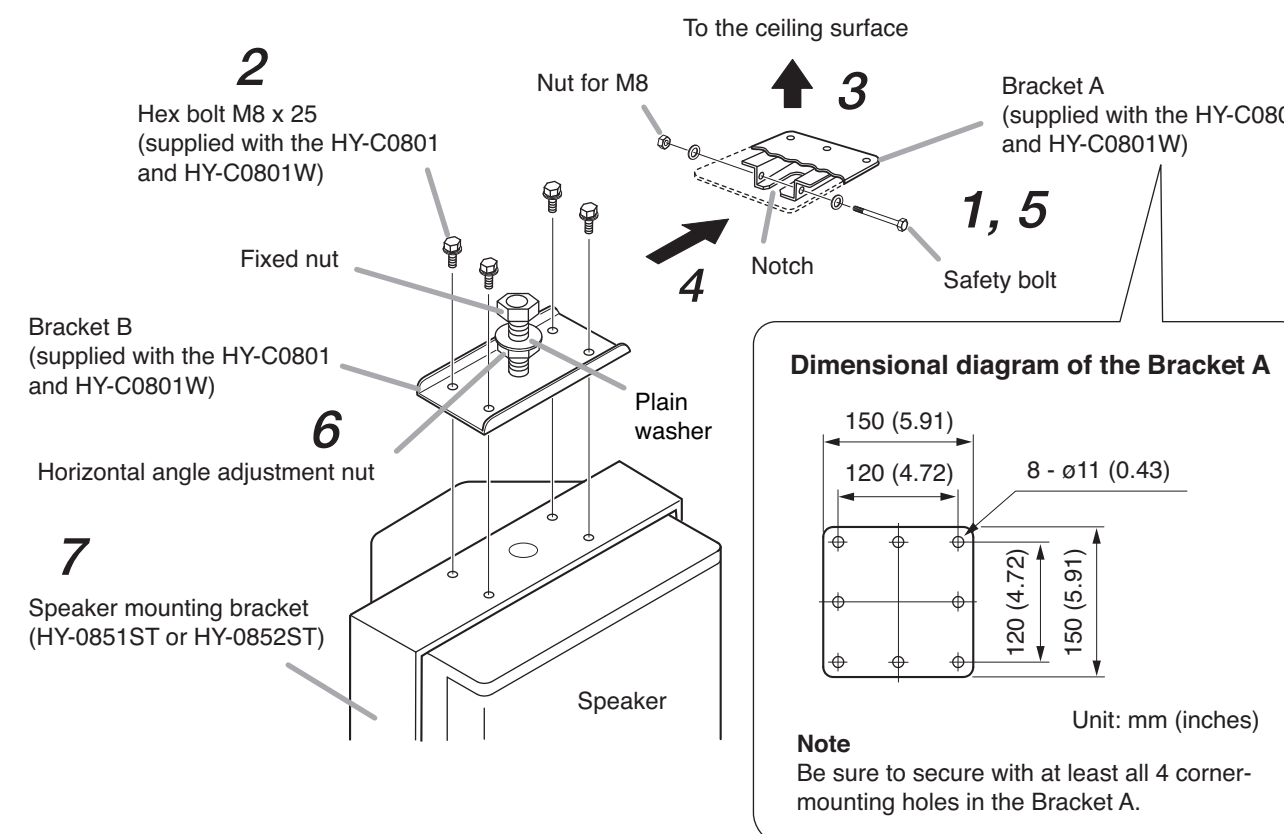
Model	HY-C0801	HY-C0801W
Applicable speaker	ES-0851, HS-120B, HS-150B, HS-1200BT, HS-1500BT, HX-7B	HS-120W, HS-150W, HS-1200WT, HS-1500WT, HX-7W
Applicable mounting bracket	HY-0851ST, HY-0852ST, HY-1200VB, HY-1200HB, HY-1500VB, HY-1500HB, HY-VM7B	HY-1200VW, HY-1200HW, HY-1500VW, HY-1500HW, HY-VM7W
Finish	Rolled steel plate, black, medium gloss, paint	Rolled steel plate, white, medium gloss, paint
Weight	1.9 kg (4.19 lb)	
Accessory	Hex bolt (with spring and plain washers) M8 x 25 4	

Note: The design and specifications are subject to change without notice for improvement.

4. INSTALLATION

The example here shows the installation procedure of the Ceiling Mount Bracket in conjunction with the HY-0851ST or HY-0852ST Speaker Mounting Bracket.

For the installation procedure to the HY-1200 or HY-1500 series and the HY-VM7 series Mounting Bracket, refer to the instruction manual attached to each mounting bracket.



Step 1. Remove the safety bolt from the Bracket A of the HY-C0801 and HY-C0801W to detach the Bracket B.

Step 2. Attach the removed Bracket B to the HY-0851ST or HY-0852ST Speaker Mounting Bracket.

Note

For the speaker installation, refer to the instruction manual attached to the HY-0851ST or HY-0852ST.

Step 3. Install the Bracket A to the ceiling using 4 bolts or more.

WARNING

Bolts and nuts used to fix the Bracket A to a ceiling are not included. Prepare those that are appropriate for the ceiling's structure and composition. Failure to do so may cause the unit to fall, resulting in personal injury.

Step 4. Insert the bolt on the Bracket B into the notch in the Bracket A.
In this event, position the notch between the fixed nut and plain washer on the bolt.

Step 5. Run the safety bolt through the holes in the Bracket A, then tighten the bolt using the nut for M8.

Step 6. Adjust the speaker's horizontal angle.
After adjustment completion, tighten the horizontal adjustment nut on the Bracket B.
Horizontal angle adjustment range: 180° to the right or left (360° rotation)

Step 7. Adjust the speaker's vertical angle at the HY-0851ST or HY-0852ST side.
For adjustment instructions, refer to the instruction manual attached to the HY-0851ST or HY-0852ST.