

CLUSTER BRACKET HY-CL10B HY-CL20B

1. SAFETY PRECAUTIONS

- Before installation or use, be sure to carefully read all the instructions in this section for correct and safe operation.
- Be sure to follow all the precautionary instructions in this section, which contain important warnings and/or cautions regarding safety.
- After reading, keep this manual handy for future reference.

⚠ WARNING

Indicates a potentially hazardous situation which, if mishandled, could result in death or serious personal injury.

- Refer installation work to the dealer from whom the speaker was purchased. Installation for flying requires extensive technical knowledge and experience. The speaker may fall off if incorrectly installed, resulting in possible personal injury.
- **Flying cautions**
Be sure to follow the instructions below. Otherwise, the suspension wires or belts may be off or snap and the speaker may fall off, causing personal injury.
 - Check to confirm that the suspension wires and belts are strong enough to withstand the load.
 - The connectors of the suspension wires and belts must be securely linked with those of the load.
- **Installation**
Install only in a location that can structurally support the weight of the unit and the speaker. Doing otherwise may result in the speaker falling down and causing personal injury and/or property damage.
- **Safety**
It is designed for indoor use, do not install it outdoors. If installed outdoors, the aging of parts causes the speaker to fall off, resulting in personal injury.
- **Weight**
According to speaker's size and weight, be sure that at least two persons are available to install the unit. Failure to do so could result in personal injury.
- Do not use other methods than specified to mount the unit. Extreme force is applied to the unit and the speaker could fall off, possibly resulting in personal injuries.
- **Nuts and bolts**
Use nuts and bolts that are appropriate for the ceiling's structure and composition. Failure to do so may cause the speaker to fall, resulting in material damage and possible personal injury.
- **Tighten**
Tighten nut and bolt securely. Ensure that the unit has no loose joints after installation to prevent accidents that could result in personal injury.
- **Use specified speaker in combination.** Doing otherwise may cause the speaker to fall off, resulting in personal injury.
- **Do not mount** the unit in locations exposed to constant vibration. The unit can be damaged by excessive vibration, potentially causing the speaker to fall, which could result in personal injury.
- **Do not use** anti-rust lubricant. If it contacts resin or rubber parts, they could deteriorate and cause the unit to fall, possibly resulting in personal injury.

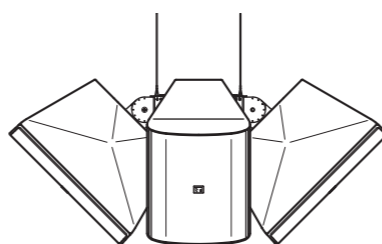
⚠ CAUTION

Indicates a potentially hazardous situation which, if mishandled, could result in moderate or minor personal injury, and/or property damage.

- **Avoid** touching the unit's sharp metal edge to prevent injury.
- **Do not stand or sit on, nor hang down from the unit as this may cause it to fall down or drop, resulting in personal injury and/or property damage.**
- **Have** the unit checked periodically by the shop from where it was purchased. Failure to do so may result in corrosion or damage to the unit that could cause the unit to fall, possibly causing personal injury.

2. GENERAL DESCRIPTION

The HY-CL10B Cluster Bracket allows a total of 4 F-1000/1300 Series speaker systems to be suspended from a ceiling in a single multi-directional cluster. The HY-CL20B Cluster Bracket is used for cluster ceiling suspension of 4 F-2000 Series speakers.



[Finished assembling diagram]

4. SPECIFICATIONS

4.1. HY-CL10B

Applicable Speaker	F-1000B, F-1000BT, F-1000W, F-1000WT, F-1300B, F-1300BT, F-1300W, F-1300WT
Finish	Steel plate, black, paint
Dimensions	492 (w) x 214 (h) x 492 (d) mm (Maximum dimensions when the installed 4 F-1000 series speakers face 30° downward) 568 (w) x 263 (h) x 568 (d) mm (Maximum dimensions when the installed 4 F-1300 series speakers face 30° downward)
Weight	7.3 kg (When 4 F-1000Bs/1000Ws are clustered) 8.1 kg (When 4 F-1000BTs/1000WTs are clustered) 12.5 kg (When 4 F-1300Bs/1300Ws are clustered) 14.3 kg (When 4 F-1300BTs/1300WTs are clustered)
Accessories	Machine screw M5 x 10 with washers ... 16

4.2. HY-CL20B

Applicable Speaker	F-2000B, F-2000BT, F-2000W, F-2000WT
Finish	Steel plate, black, paint
Dimensions	904 (w) x 395 (h) x 904 (d) mm (Maximum dimensions when the installed 4 speakers face 37.5° downward)
Weight	27.4 kg (When 4 F-2000Bs/2000Ws are clustered) 30 kg (When 4 F-2000BTs/2000WTs are clustered)
Accessories	Machine screw M5 x 10 with washers ... 16

Note: The design and specifications are subject to change without notice for improvement.

5. INSTALLATION

Mount all 4 speakers to the cluster bracket before suspending them. If conditions require that the cluster bracket be suspended first, take special care during assembly owing to weight balance instability until all 4 speakers have been mounted.

Tip

The wall bracket supplied with each speaker is not used.

Step 1. Attach the speaker bracket to the rear of each of the 4 speaker cabinets. Use the screws supplied with the speaker. (HY-CL10B: 2 pieces x 4; HY-CL20B: 4 pieces x 4)

Note

Mount the bracket so that the speaker is suspended in a vertical orientation.

Step 2. Attach a joint bracket (4 brackets in total) to each of the 4 cluster bracket sections using the 16 screws supplied with the cluster bracket.

Note

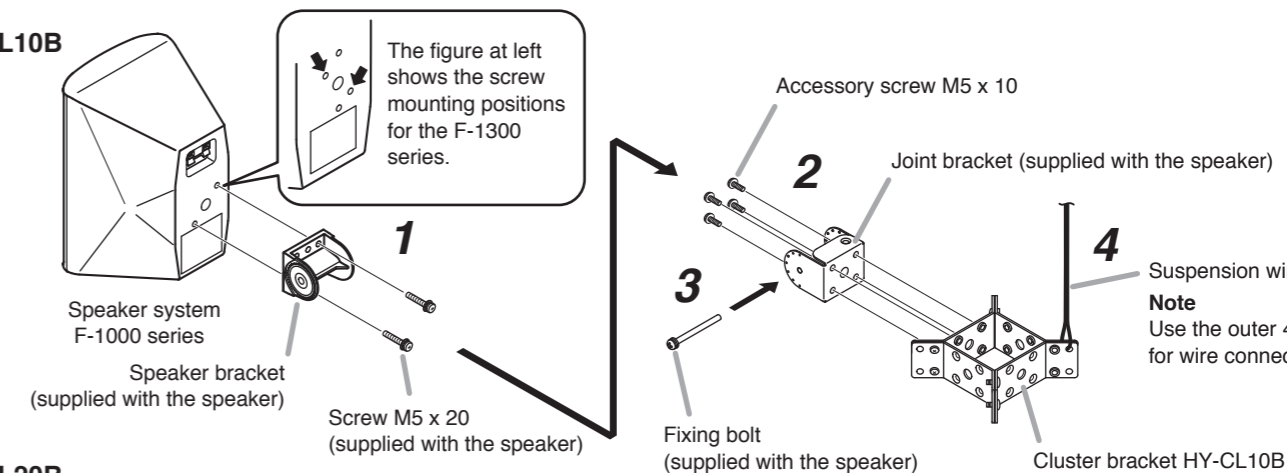
Before starting the work, ensure that all the screws used for assembling the cluster bracket are firmly tightened.

Step 3. Mount the 4 speakers to the joint brackets. Insert the speaker bracket into the joint bracket and put the fixing bolt through the joint bracket. Adjust each speaker's vertical orientation, then tighten the fixing bolt. The speaker angle can be adjusted in 7.5° steps within the range as follows.

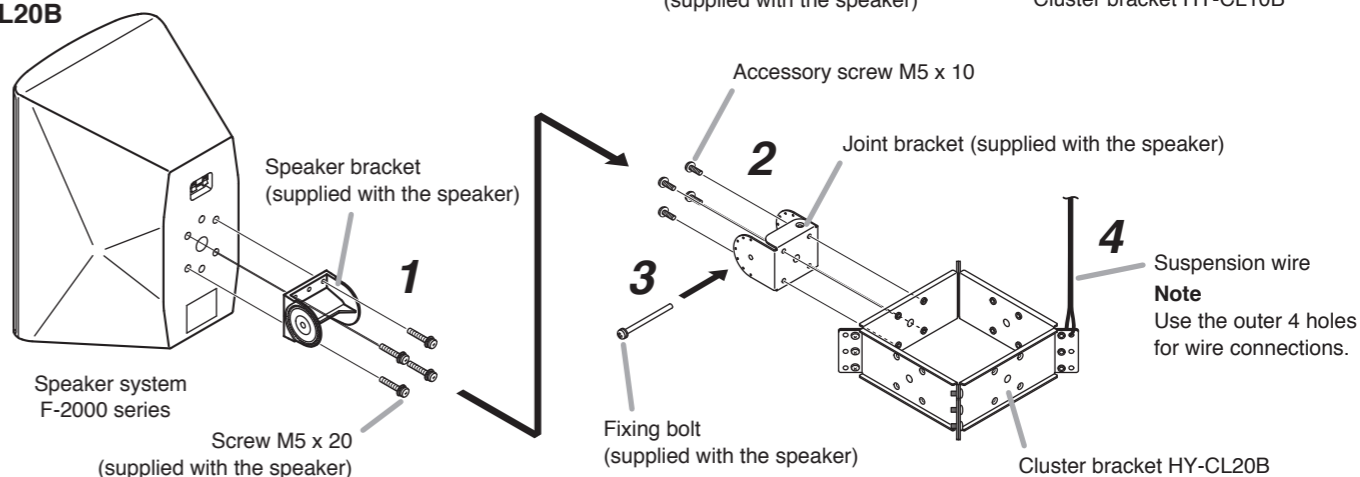
F-1000/2000 series: 15° to 45° downward

F-1300 series: 15° to 30° downward

• HY-CL10B

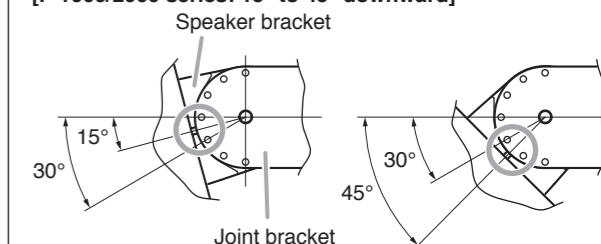


• HY-CL20B

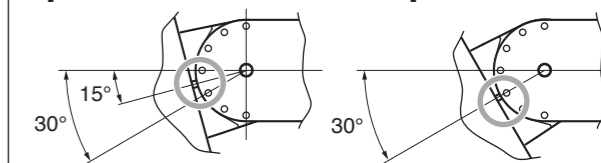


Refer to the figures below for the positional relationship between the speaker bracket's "groove" and the joint bracket's "indentation."

[F-1000/2000 series: 15° to 45° downward]



[F-1300 series: 15° to 30° downward]



Note

The mating surfaces of the speaker bracket and joint bracket are designed to interlock. Ensure that both parts are securely engaged with each other after mounting is complete.

Step 4. Lift the speaker cluster up to the installation position using a suspension wire.

Step 5. Connect the speaker cables to the speaker input terminals. For connections, refer to the instruction manual enclosed with the speaker.