

SPEAKER EXTENSION BRACKETS HY-CN1B, HY-CN1W, HY-CN1B-WP, HY-CN1W-WP

TOA's HY-CN1 series brackets are used to join 2 HX-5 series speaker systems, typically for the purpose of achieving better speaker directivity control in lower frequencies. Such directivity control helps achieve clearer and longer-range sound reproduction in locations where sound efficiency may be hampered by conditions like long reverberation time or a high level of background noise.

1. SAFETY PRECAUTIONS

- Before installation or use, be sure to carefully read all the instructions in this section for correct and safe operation.
- Be sure to follow all the precautionary instructions in this section, which contain important warnings and/or cautions regarding safety.
- After reading, keep this manual handy for future reference.

WARNING

Indicates a potentially hazardous situation which, if mishandled, could result in death or serious personal injury.

- Install the unit only in a location that can structurally support the weight of the unit and the speaker. Doing otherwise may result in the speaker falling down and causing personal injury and/or property damage.
- (HY-CN1B and HY-CN1W only)
Since the unit is designed for indoor use, do not install it outdoors. If installed outdoors, the aging of parts causes the unit to fall off, resulting in personal injury.
- Do not use other methods than specified to mount the unit. Extreme force is applied to the unit and the speaker could fall off, possibly resulting in personal injuries.
- Tighten each nut and bolt securely. Ensure that the unit has no loose joints after installation to prevent accidents that could result in personal injury.
- Use the specified speaker in combination. Doing otherwise may cause the speaker to fall off, resulting in personal injury.
- Do not mount the unit in locations exposed to constant vibration. The unit can be damaged by excessive vibration, potentially causing the speaker to fall, which could result in personal injury.
- Avoid installing the speaker in locations close to the seashore or in indoor swimming facilities that are not well ventilated. In such locations the unit may be vulnerable to corrosion, eventually allowing the speaker to fall resulting in personal injury.

CAUTION

Indicates a potentially hazardous situation which, if mishandled, could result in moderate or minor personal injury, and/or property damage.

- Avoid touching the unit's sharp metal edge to prevent injury.
- Have the unit checked periodically by the shop from where it was purchased. Failure to do so may result in corrosion or damage to the unit that could cause the unit to fall, possibly causing personal injury.

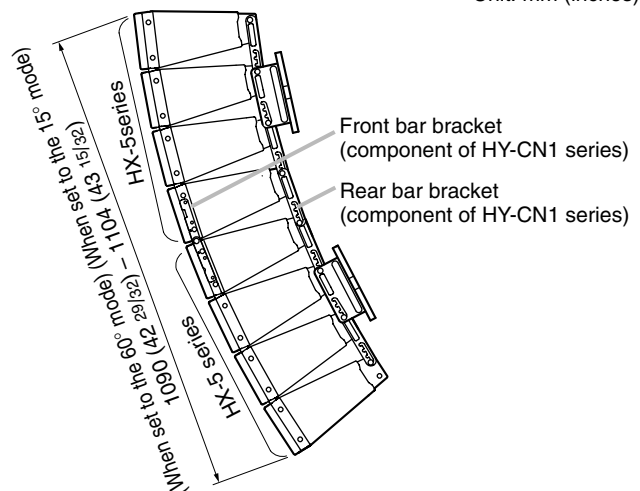
2. PRECAUTIONS WHEN INSTALLING THE HY-CN1B-WP AND HY-CN1W-WP

Only the HY-CN1B-WP and HY-CN1W-WP can be installed outdoors.

- Only the HX-5B-WP and HX-5W-WP speaker systems can be installed outdoors.
- Install the speaker so that all speaker modules face downward from the horizontal axis. Doing otherwise could adversely affect the speaker's weather resistance and possibly lead to malfunction or failure.

3. FINISHED ASSEMBLY DIAGRAM

Unit: mm (inches)

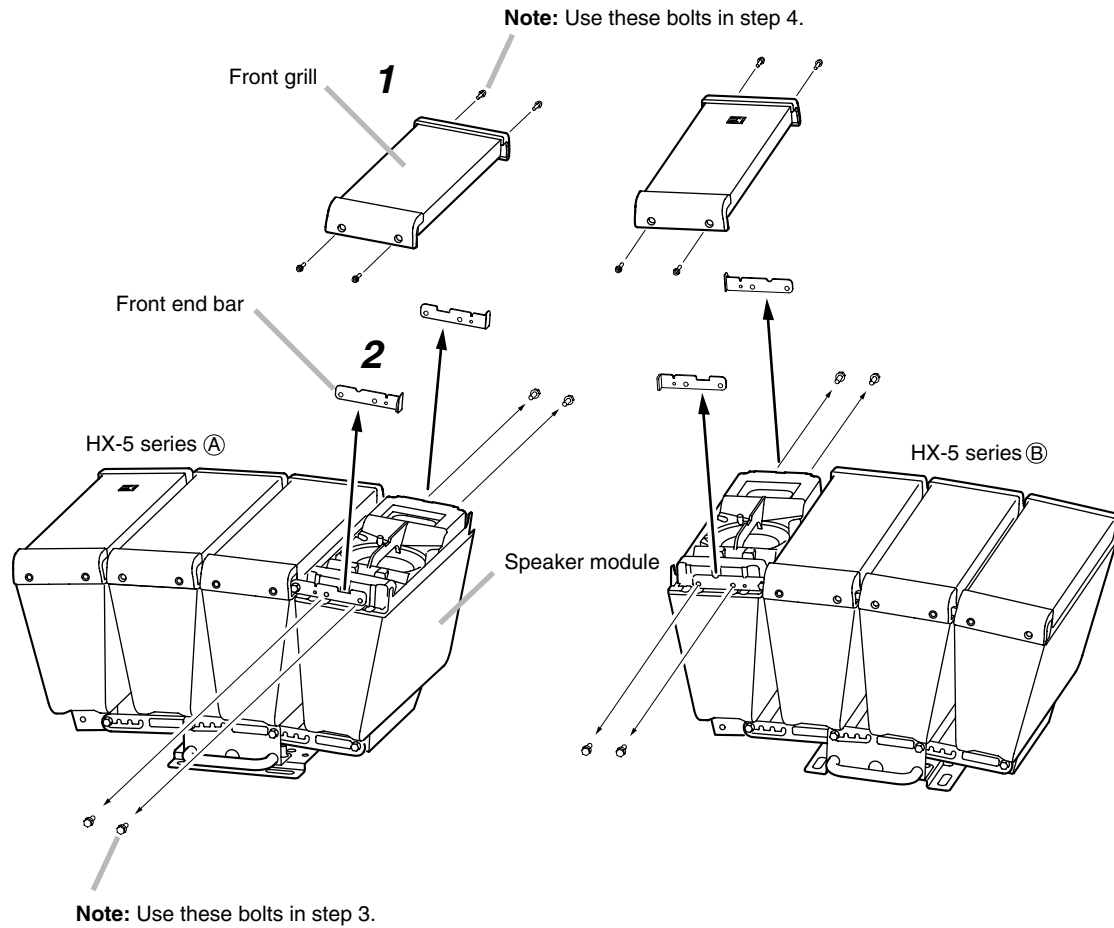


4. SPEAKER EXTENSION

[Before joining HX-5 series...]

Step 1. Remove the front grill from the speaker module of each HX-5 series by unscrewing 4 bolts with the supplied hex head wrench.

Step 2. Remove the front end bars from each module by unscrewing 4 bolts.



[Joining HX-5 series]

Set the speakers on their sides, handles facing up.

Step 3. Join the HX-5 series (A) and (B) using the front bar brackets.
Use the removed bolts in Step 2 to attach the front bar brackets.

WARNING

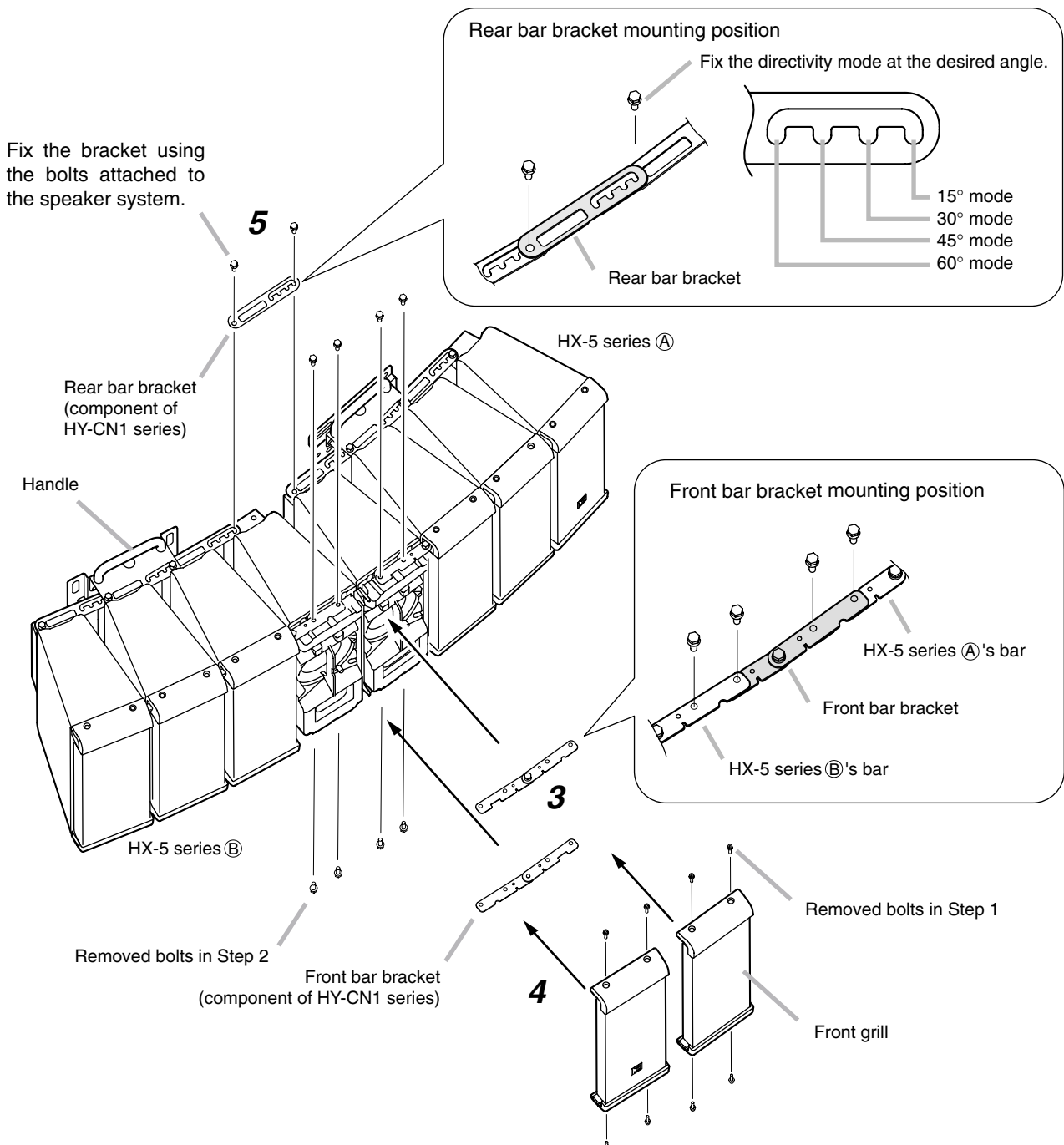
Bolts can be tightened using either a Phillips screwdriver or a wrench, but be sure to finish the tightening with the wrench to ensure optimum tightness. Doing otherwise may result in the speaker falling down and causing personal injury and/or property damage.

Step 4. Reattach the front grills to the speaker modules.
Retighten the bolts using the supplied hex head wrench, making sure that the edges the grills remain securely fitted into their receptacle slots.

Step 5. Attach the rear bar bracket.

Note

When joining 2 HX-5 series that are both set to the 15° mode, also position the bolts on the rear bar bracket to the 15° mode, thus permitting a total of 30° of continuous joined directivity.

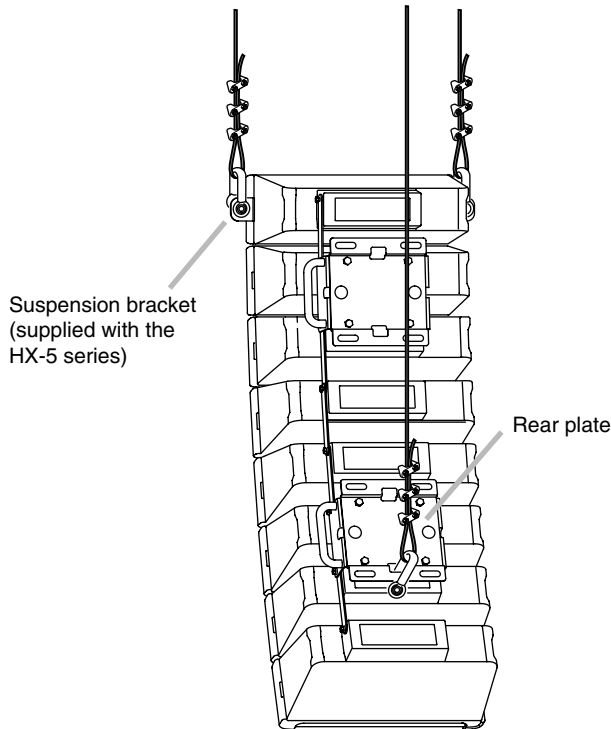


5. SUSPENDING JOINED SPEAKERS

5.1. When Suspending Vertically

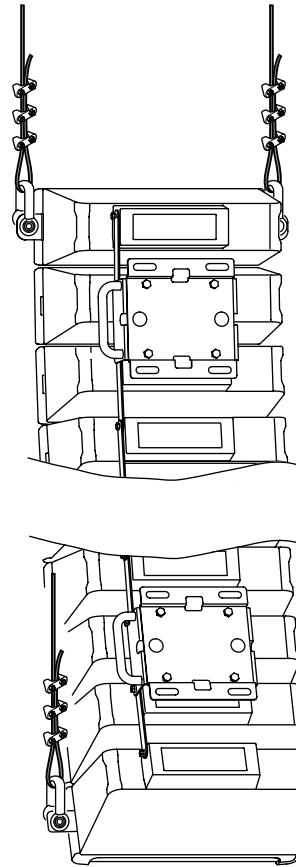
[Joining 2 HX-5 series]

Suspend a stack of the HX-5 series by 3 wires connected to the 2 suspension brackets (supplied with the HX-5 series) and the rear plate of the HX-5 series.



[Joining 3 or 4 HX-5 series]

Suspend a stack of the HX-5 series by 4 wires connected to the 2 suspension brackets (supplied with the HX-5 series) on each of the uppermost and lowermost HX-5 series.

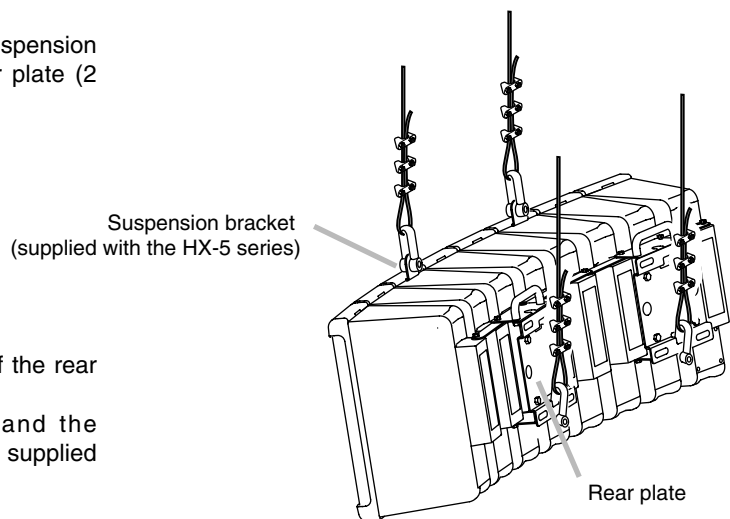


Note

For mounting procedure of the suspension bracket, refer to the instruction manual supplied with the HX-5 series.

5.2. When Suspending Horizontally

Use 2 wires to suspend each HX-5 series at its suspension bracket (supplied with the HX-5 series) and rear plate (2 suspension points in total per HX-5 series).



Note

This way of suspension requires the orientation of the rear plate to be changed.

For mounting procedure of the rear plate and the suspension bracket, refer to the instruction manual supplied with the HX-5 series.

6. SPECIFICATIONS

Model No.	HY-CN1B	HY-CN1W	HY-CN1B-WP	HY-CN1W-WP
Finish	Steel plate, black, semi-gloss, paint	Steel plate, white, semi-gloss, paint	Stainless steel (SUS304), black, semi-gloss, paint	Stainless steel (SUS304), white, semi-gloss, paint
Weight	200 g			
Product Composition	Front bar bracket ... 2, Rear bar bracket ... 1			

Note: The design and specifications are subject to change without notice for improvement.