

SPEAKER WALL MOUNTING BRACKETS

HY-MS7B-WP, HY-MS7W-WP

Thank you for purchasing TOA's Speaker Wall Mounting Bracket.
Please carefully follow the instructions in this manual to ensure long, trouble-free use of your equipment.

TABLE OF CONTENTS

1. SAFETY PRECAUTIONS	1	4. MOUNTING DIAGRAM	2
2. GENERAL DESCRIPTION	2	5. INSTALLATION	3
3. NOTES ON INSTALLATION	2	7. SPECIFICATIONS	8

1. SAFETY PRECAUTIONS

- Before installation or use, be sure to carefully read all the instructions in this section for correct and safe operation.
- Be sure to follow all the precautionary instructions in this section, which contain important warnings and/or cautions regarding safety.
- After reading, keep this manual handy for future reference.

WARNING

Indicates a potentially hazardous situation which, if mishandled, could result in death or serious personal injury.

- Install the speaker only in a location that can structurally support the weight of the speaker and the mounting bracket. Doing otherwise may result in the speaker falling down and causing personal injury and/or property damage.
- When installing the speaker under the eaves in the snowy area, take appropriate measures to prevent snow from lying on the speaker. If snow lies on the speaker, it may fall, causing personal injuries.
- Owing to the speaker's size and weight, be sure that at least two persons are available to install the speaker. Failure to do so could result in personal injury.
- Do not use other methods than specified to mount the speaker. Extreme force is applied to the bracket and the speaker could fall off, possibly resulting in personal injuries.
- Use safety wires when installing speakers. If not used, personal injury could result if a speaker should accidentally fall.
- Attach the safety wire to the speaker. If not attached, the speaker could fall off, resulting in personal injury.
- Use nuts and bolts that are appropriate for the wall's structure and composition. Failure to do so may cause the speaker to fall, resulting in material damage and possible personal injury.
- Tighten each nut and bolt securely. Ensure that the bracket has no loose joints after installation to prevent accidents that could result in personal injury.
- Use the HX-7B-WP and HX-7W-WP Speaker System in combination. Doing otherwise may cause the speaker to fall off, resulting in personal injury.
- Do not mount the speaker in locations exposed to constant vibration. The mounting bracket can be damaged by excessive vibration, potentially causing the speaker to fall, which could result in personal injury.
- Avoid installing the speaker in locations close to the seashore or in indoor swimming facilities that are not well ventilated. In such locations, the bracket may be vulnerable to corrosion, eventually allowing the speaker to fall resulting in personal injury.

CAUTION

Indicates a potentially hazardous situation which, if mishandled, could result in moderate or minor personal injury, and/or property damage.

- Avoid touching the bracket's sharp metal edge to prevent injury.
- Do not place heavy objects on the bracket as this may cause the speaker to fall or break which may

result in personal injury and/or property damage. In addition, the object itself may fall off and cause injury and/or damage.

- Do not stand or sit on, nor hang down from the unit as this may cause the speaker to fall down or drop, resulting in personal injury and/or property damage.
- Have the bracket checked periodically by the shop from where it was purchased. Failure to do so may result in corrosion or damage to the bracket that could cause the speaker to fall, possibly causing personal injury.

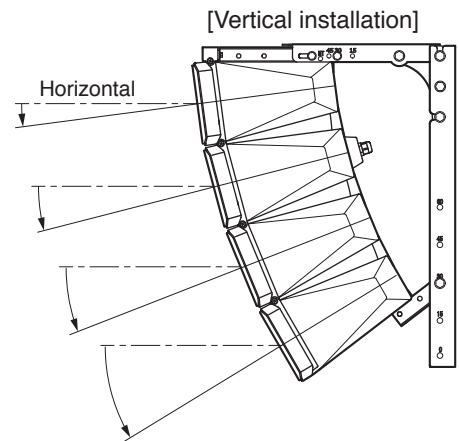
2. GENERAL DESCRIPTION

The HY-MS7 Series brackets are intended for mounting the HX-7B-WP or HX-7W-WP Speaker System to the wall under outdoor eaves. These brackets also have provision for mounting the MT-200 Matching Transformer* directly to this bracket.

* This matching transformer is used to convert low impedance into high impedance 100 V line or 70 V line.

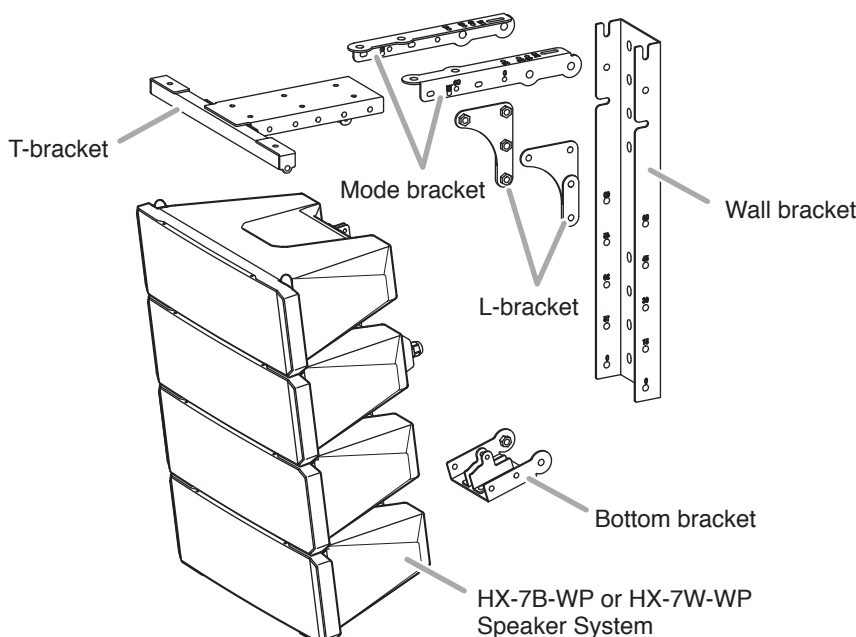
3. NOTES ON INSTALLATION

- Observe the following instructions when installing the speaker system. Failure to do so could adversely affect their intended weather-proof and splash-proof capabilities, leading to malfunction.
 - Install the speaker system in locations not exposed directly to rain, such as under the eaves.
 - All speaker modules must point downward from the horizontal.
- When installing the speaker, ensure all rear angle bars* are set to the same directivity angle mode. If different directivity angle modes are combined, the HY-MS7 Series' bottom bracket cannot be mounted to the wall bracket.
 - * The bracket bars used to join individual speaker modules at the rear of the speaker. For instructions on changing the directivity angle, refer to the instruction manual supplied with the HX-7B-WP or HX-7W-WP speaker.
- Horizontal speaker installation not possible.

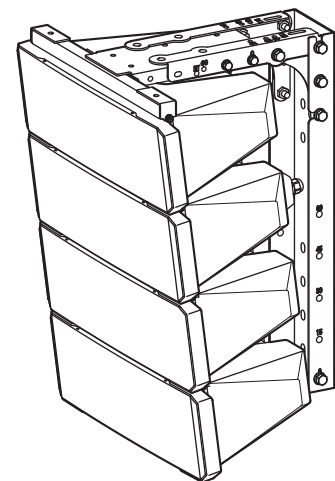


4. MOUNTING DIAGRAM

[Component disassembly]



[Completed installation]



5. INSTALLATION

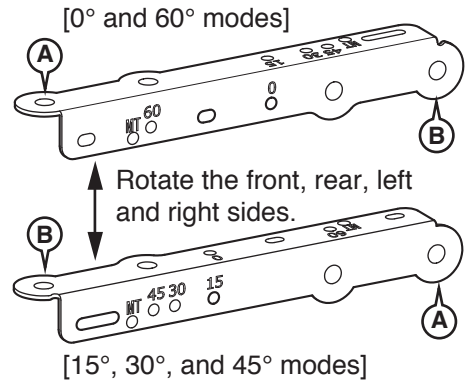
WARNING

- Use safety wires when installing speakers. If not used, personal injury could result if a speaker should accidentally fall.
- Tighten the bolts securely, as instructed below. Failure to follow instructions precisely could result in a falling speaker and potential personal injury.
- Ensure that all bolts are securely inserted as far as their threads go, then securely fasten each bolt with a nut.
- Tighten all the bolts with the designated tightening torque. For tightening, use a Phillips screwdriver, or open- or box-end wrench.

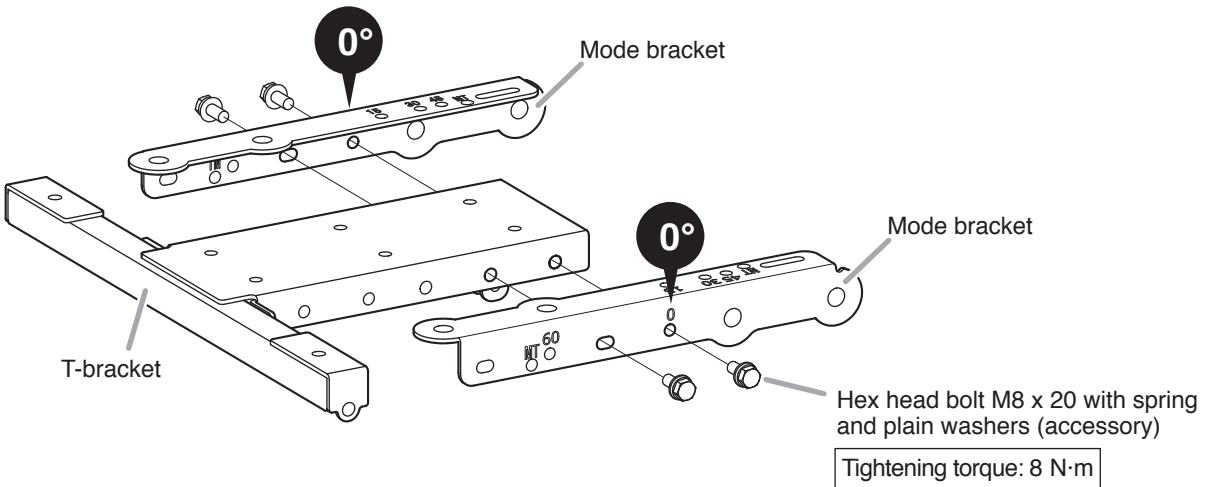
Step 1. Attach the two Mode brackets to the T-bracket. Tighten at 4 positions using the supplied bolts.

Note

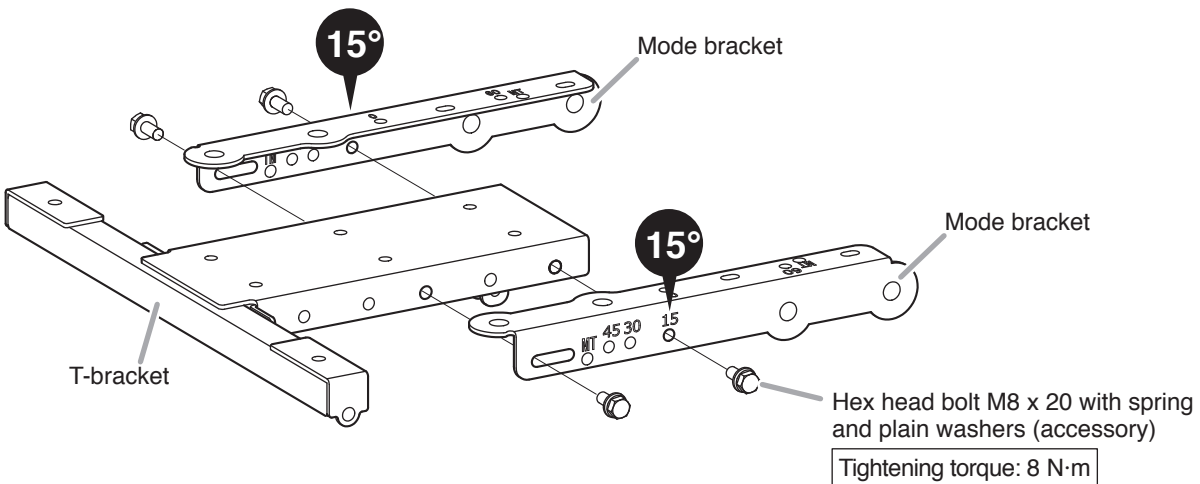
The orientation and mounting holes of the Mode brackets will differ depending on the speaker's directivity angle mode. Attach the Mode brackets so that their directivity angle mode indicators are upright as viewed from the side after mounting.



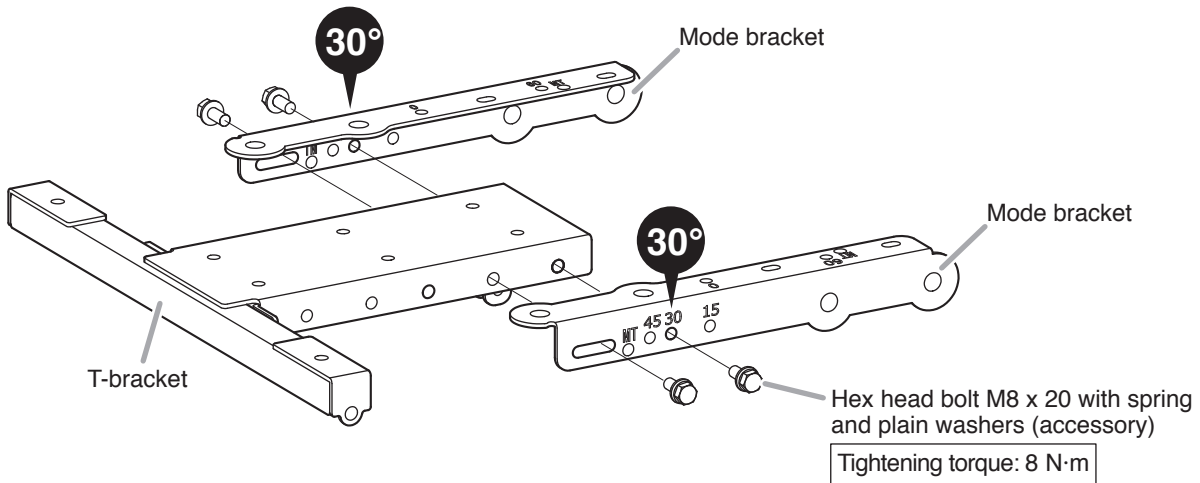
[0° mode]



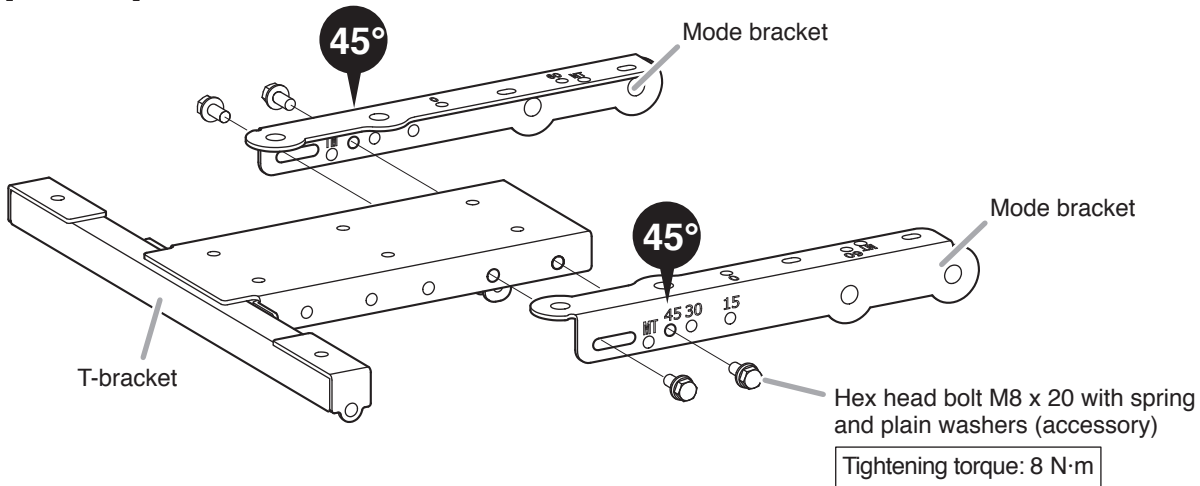
[15° mode]



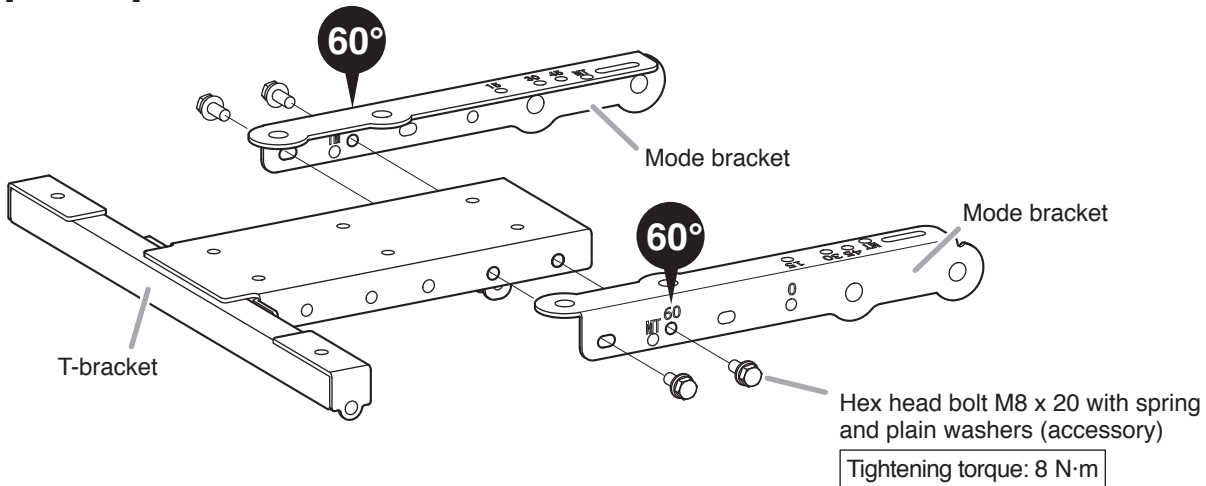
[30° mode]



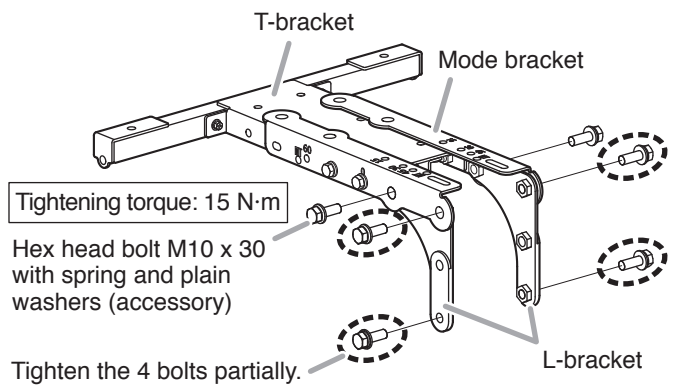
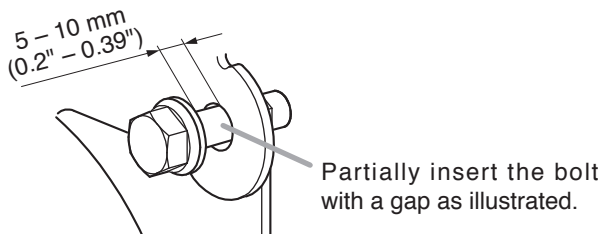
[45° mode]



[60° mode]



Step 2. Attach the L-brackets to the Mode bracket. Tighten at 6 positions using the supplied bolts. However, only partially insert bolts at 4 positions (circled by dotted lines), as shown in the figure below.

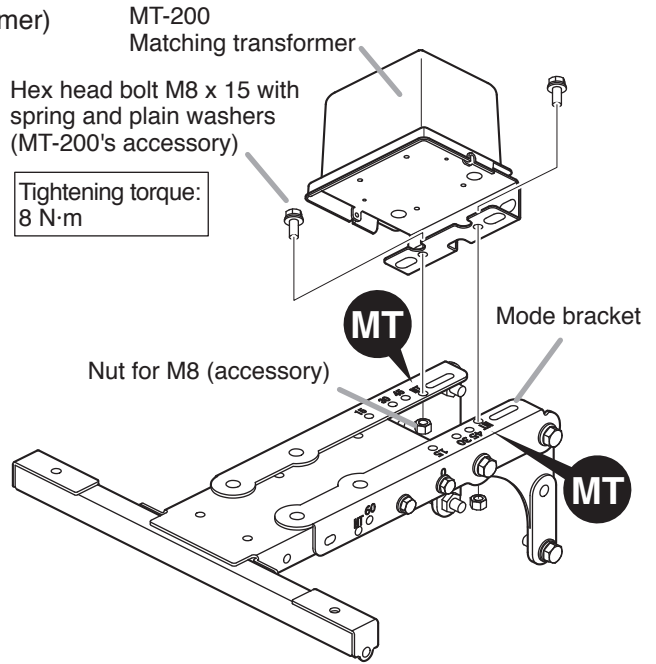
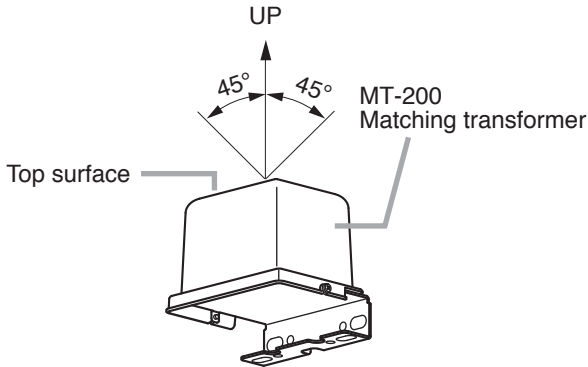


Step 3. (When mounting the MT-200 Matching transformer)

Mount the MT-200 to the mode bracket.
Use the supplied bolts and nuts to mount, as shown in the figure at right.
For MT-200 wiring, refer to the instruction manuals supplied with the MT-200 and the HX-7 Series speaker.

Note

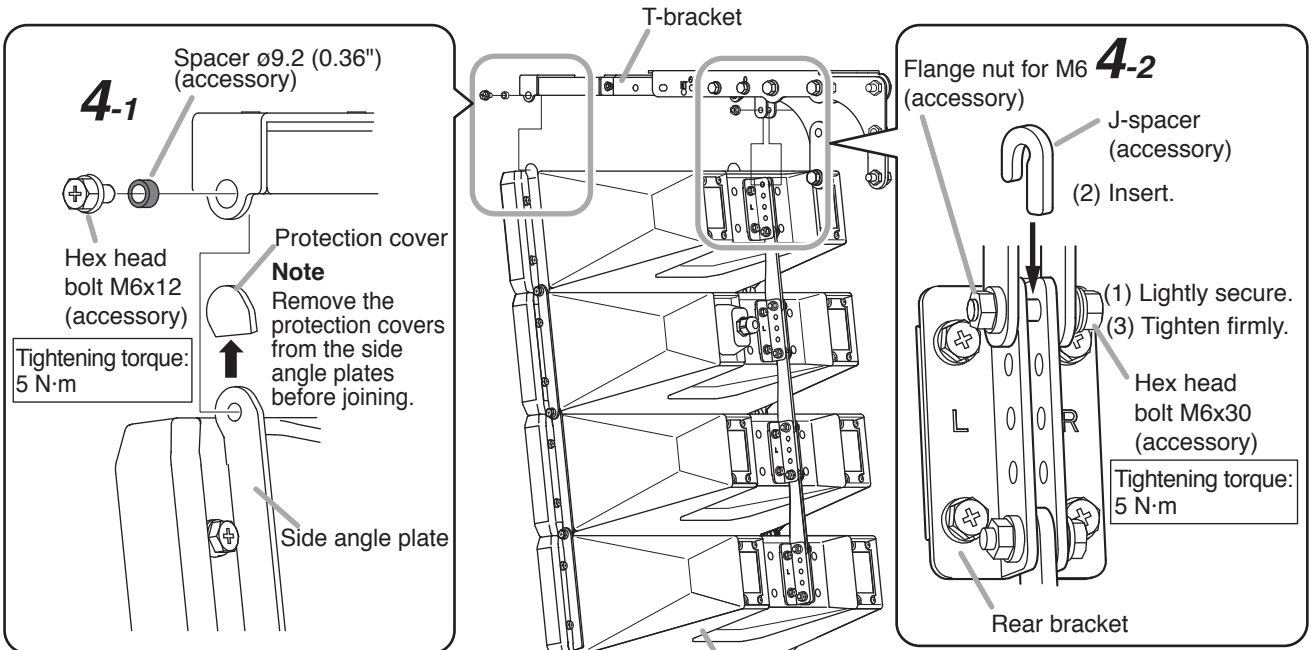
To ensure the MT-200's waterproofing capability, install it so that the tilt of its top surface is within 45° of the vertical plane.



Step 4. Mount the T-bracket to the speaker system.

Mount the speaker system vertically, as shown in the figure below.
Fix the T-bracket to the speaker at all 3 indicated places.

- 4-1. Fix the T-bracket to both ends of the side angle plates of the speaker front.
Use the supplied bolts (with spring and plain washers) and spacers.
- 4-2. Fix the T-bracket to the speaker's rear bracket.
Fix to the rear bracket's endmost hole.
Use the supplied bolt (with spring and plain washers), flange nut, and J-spacer.
For details, refer to the procedures (1) to (3) as shown below.

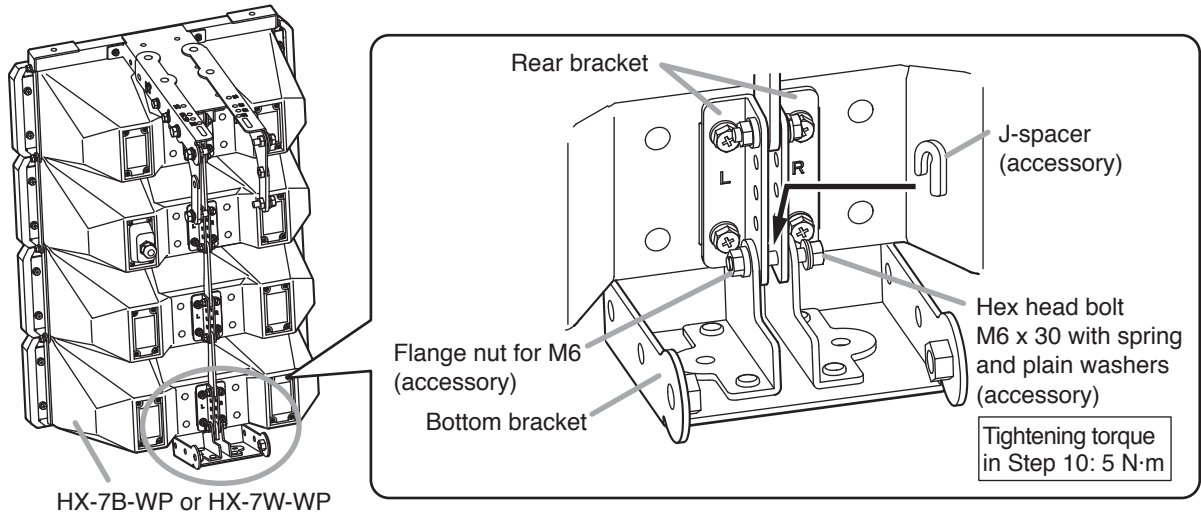


Note
Similarly, fix the T-bracket to the end of the side angle plate on the opposite side.

Note
After tightening the bolt, ensure that the J-spacer is firmly fixed.

Step 5. Mount the Bottom bracket to the speaker system.

Secure the bracket temporarily using the supplied bolts and flange nuts, then insert the J-spacer.



Step 6. Mount the Wall bracket to the wall.

Use at least 8 bolts (4 top, 4 bottom) to mount to the wall.

Notes

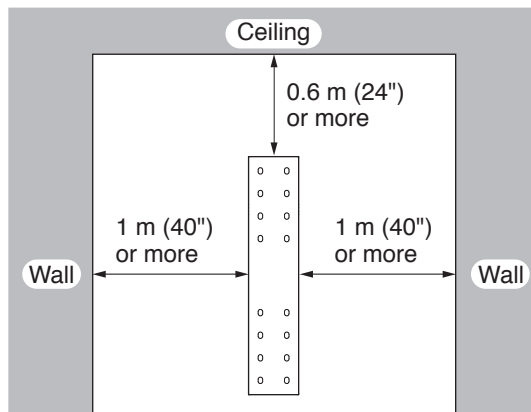
- Make sure that two of the uppermost and lowermost mounting holes are fixed to the wall with bolts, etc.
- Secure with a good balance of bolts in both left and right mounting holes.

⚠ WARNING

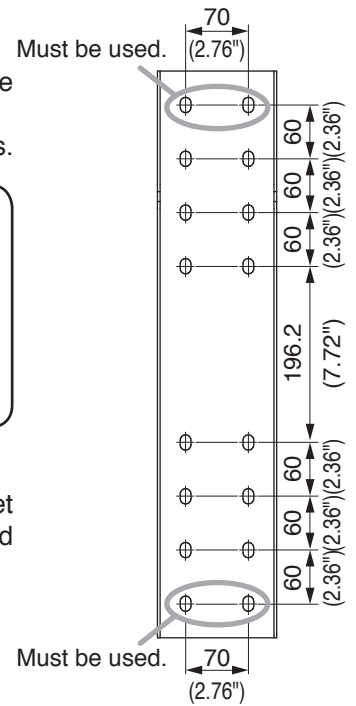
Bolts and nuts for mounting the bracket on the wall are not supplied. Use bolts and nuts that are appropriate for the wall's structure and composition. Failure to do so may cause the speaker to fall, resulting in material damage and possible personal injury.

Note

To ensure ample work space during construction, keep the Wall bracket at least 0.6 m (24") away from the ceiling and 1 m (40") from the left and right walls.



[Wall mounting dimension]

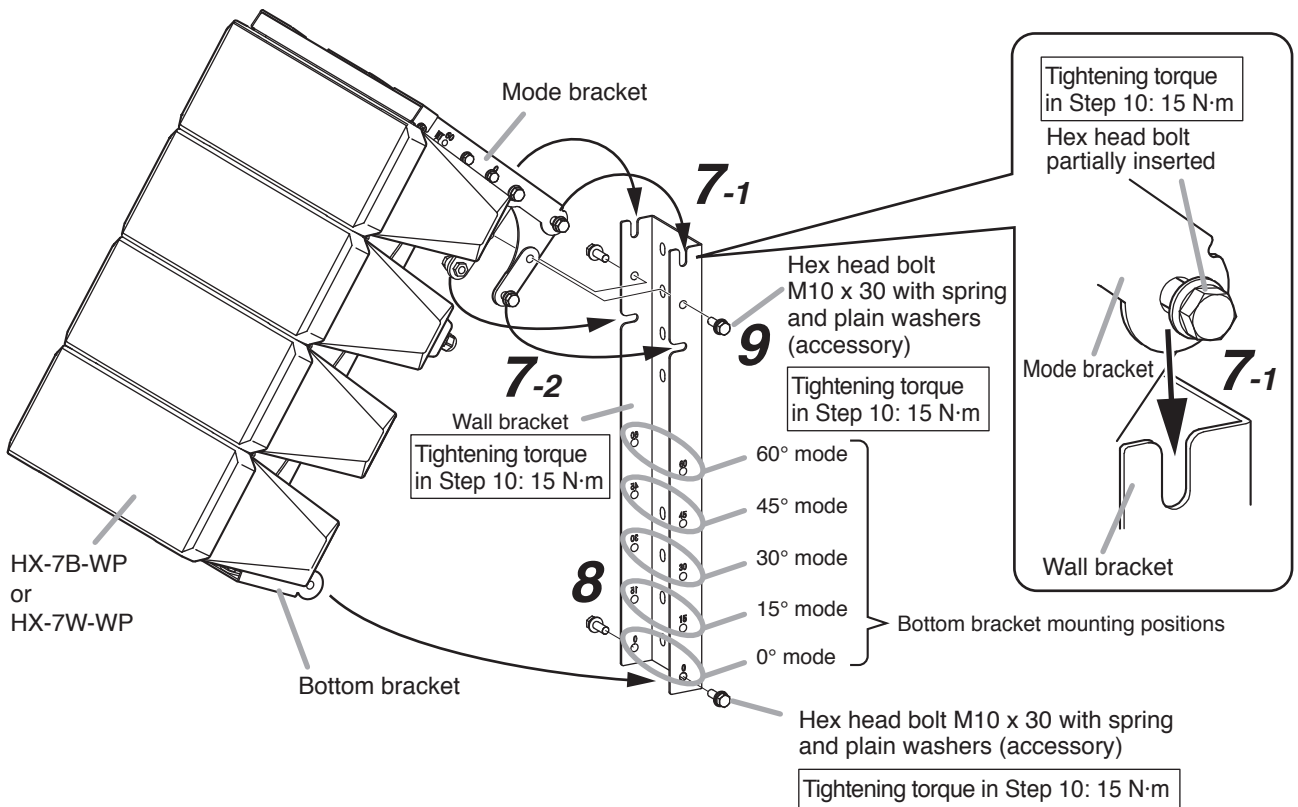


Unit: mm

Step 7. Temporarily fix the speaker to the Wall bracket.

⚠ WARNING Be sure at least two people are employed to mount the speaker to the wall. If handled by only one person, the speaker could fall, potentially resulting in personal injury.

- 7-1. Insert 2 bolts lightly fastening the L- and Mode brackets into the Wall bracket's uppermost slots from above.
- 7-2. Insert 2 bolts lightly fastening the L-bracket's lower ends into the Wall bracket's lower slots from the side.
- 7-3. Temporarily tighten all 4 bolts.



Step 8. Temporarily fix the speaker's Bottom bracket to the Wall bracket.
Using the 2 supplied bolts, temporarily fix the Bottom bracket to the Wall bracket. The Bottom bracket's mounting position relative to the Wall bracket will differ depending on the speaker's directivity angle mode, as shown in the figure of the previous page.

Step 9. Temporarily install bolts to prevent falls.

Step 10. Tighten all the bolts partially inserted in Step 5 and Steps 7 through 9 to secure the speaker. (Tightening torque: 5 N·m for bolts inserted in Step 5, and 15 N·m for bolts inserted in Steps 7 through 9)
Before tightening bolts, be sure to confirm that excessive force is not applied to these bolts.

Step 11. Attach safety wires for protection against falls.
Regarding the attaching method of safety wires, refer to the instruction manual supplied with HX-7 series speaker.

7. SPECIFICATIONS

Model No.	HY-MS7B-WP	HY-MS7W-WP
Finish	Stainless steel, black, semi-gloss, paint	Stainless steel, white, semi-gloss, paint
Weight	7 kg (15.43 lb)	
Product Composition	T-bracket ... 1, Mode bracket (L and R)* ... 1 each, L-bracket (L and R)* ... 1 each, Wall bracket ... 1, Bottom bracket ... 1 * The bracket L and R are symmetrical to each other.	

Note: The design and specifications are subject to change without notice for improvement.

• Accessories

Hex head bolt M6 x 12 with spring and plain washers	2
Hex head bolt M6 x 30 with spring and plain washers	2
Hex head bolt M8 x 20 with spring and plain washers	4
Hex head bolt M10 x 30 with spring and plain washers	10
Flange nut for M6	2
Nut for M8	2
Spacer \varnothing 9.2 (0.36")	2
J-spacer	2