

TILE BAR BRIDGE

HY-TB1

Please follow the instructions in this manual to obtain the optimum results from this unit.
We also recommend that you keep this manual handy for future reference.

1. SAFETY PRECAUTIONS

- Be sure to read the instructions in this section carefully before use.
- Make sure to observe the instructions in this manual as the conventions of safety symbols and messages regarded as very important precautions are included.
- We also recommend you keep this instruction manual handy for future reference.

WARNING

Indicates a potentially hazardous situation which, if mishandled, could result in death or serious personal injury.

- Leave the installation to your TOA dealer because the installation requires expert knowledge. Improper installation may cause the speaker to fall, resulting in personal injury and/or property damage.
- Install the mounting hardware in a location that can structurally support the weight of the mounting hardware and the speaker. Doing otherwise may result in the speaker falling down and causing personal injury and/or property damage.
- Do not use other methods than specified to mount the unit. Extreme force is applied to the unit and the unit could fall off, possibly resulting in personal injuries.
- Tighten each screw securely. Ensure that the unit has no loose joints after installation to prevent accidents that could result in personal injury.
- Use the specified speaker in combination. Doing otherwise may cause the speaker or component to fall off, resulting in personal injury.

CAUTION

Indicates a potentially hazardous situation which, if mishandled, could result in moderate or minor personal injury, and/or property damage.

- Avoid touching the unit's sharp metal edge to prevent injury.

2. GENERAL DESCRIPTION

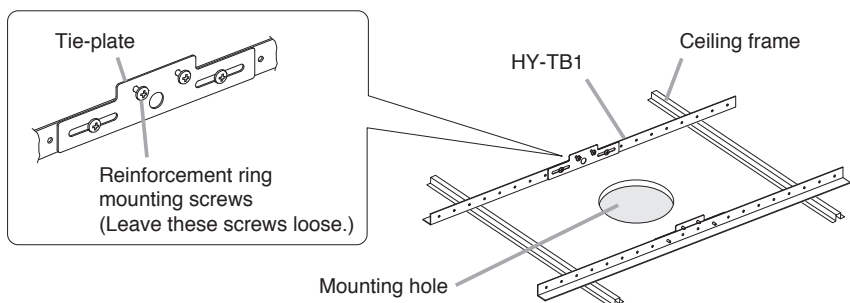
TOA's HY-TB1 Tile Bar Bridge is a 603 mm (23 47/64") long support frame (set of 2 rails) designed to provide secure support for flush-mounted ceiling speakers while preventing the speaker's weight from being directly applied to the ceiling panels. Its support rails are designed to act as mounts for the ceiling reinforcement ring supplied with each speaker.

Step 1. Install the HY-TB1 in the ceiling.

• For Dry Wall Ceilings

Insert the Tile Bridge rails through the mounting hole in the ceiling and lay them across the ceiling frame in the orientation shown in the figure below. Loosen the two reinforcement ring mounting screws in each tie-plate to the point that they do not fall out of their holes.

Note: Only install the Tile Bridge on ceiling frames that can structurally support the full weight of the speaker(s) to be installed.

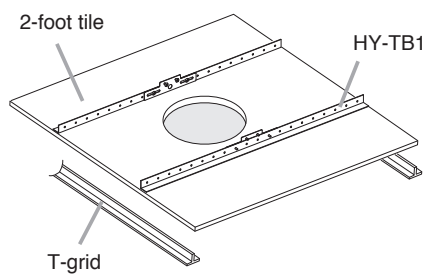


F-122C, F-122CU, F-2322C, F-2352C	ø200 mm (7 7/8")
F-2852C	ø250 mm (9 27/32")

• For Drop Ceilings

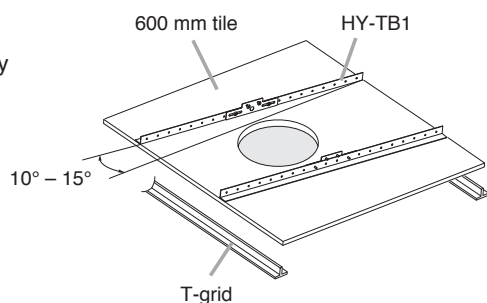
[Mounting to 2-foot tiles]

Align the two bridge rails as shown in the figure at right.



[Mounting to 600 mm tiles]

Align the two bridge rails diagonally at an angle of 10° – 15°.



3. SPECIFICATIONS

Finish	Steel plate, plating
Weight	500 g (2 pieces)
Usable Speaker	F-122C, F-122CU, F-2322C, F-2352C, F-2852C

Note: The design and specifications are subject to change without notice for improvement.

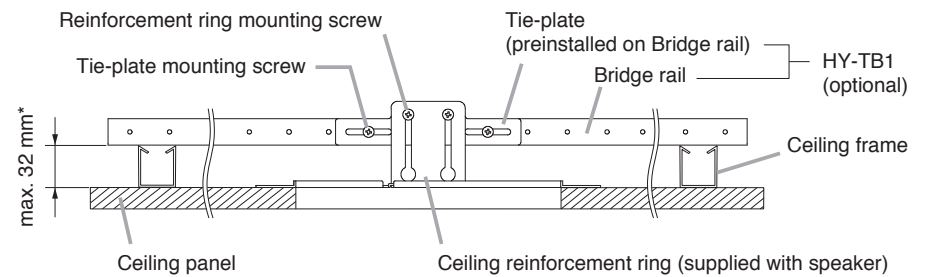
4. INSTALLATION

Before installation, a qualified architect or engineer should first determine whether the ceiling frames and panels are strong enough to withstand the added weight of ceiling speakers.

Refer to the speaker's instruction manual for information.

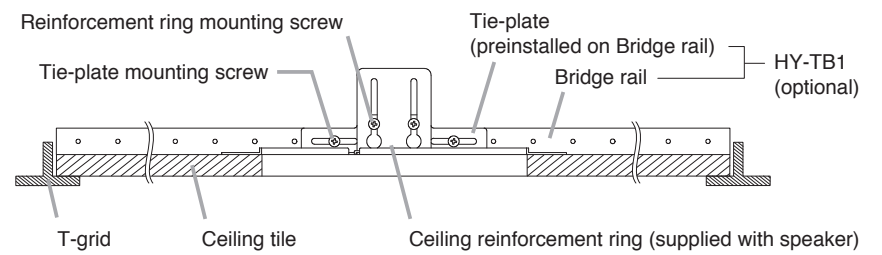
[Completed installation figure]

• For Dry Wall Ceilings



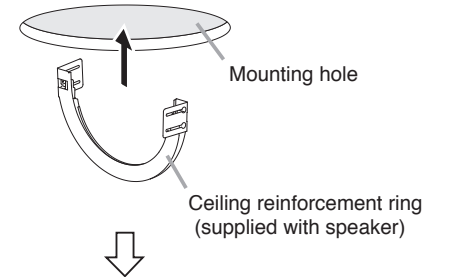
* This length can be extended to up to 58 mm by turning the tie-plate upside down.

• For Drop Ceilings



Step 2. Install the ceiling reinforcement ring supplied with the speaker.

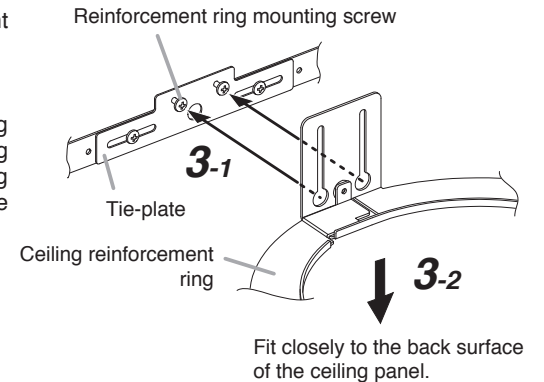
To insert the reinforcement ring through the ceiling mounting hole, first fold the ring in half, then insert it through the mounting hole and re-open it with its tabs facing up. Align the ring with the mounting hole.



Reinforcement ring placed on ceiling panel
These tabs must face upward, away from the hole.

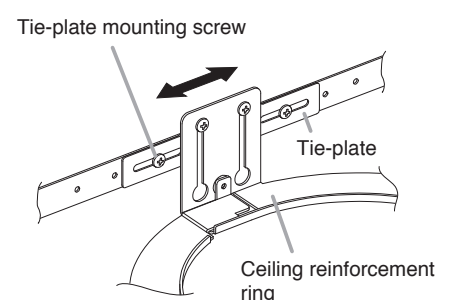
Step 3. Attach the ceiling reinforcement ring to the each tie-plate.

Note
Tighten the reinforcement ring mounting screws while pressing the ceiling reinforcement ring snugly against the back surface of the ceiling panel.



Step 4. Align the ceiling reinforcement ring with the mounting hole.

If the ceiling reinforcement ring does not line up accurately with the ceiling mounting hole, adjust its position by either loosening the tie-plate mounting screws and sliding the tie-plate into correct position, or by shifting the tie-plate mounting screws to the appropriate holes in the Tile Bridge rails. The ceiling reinforcement ring can be moved in the direction indicated by the arrows.



Note
Be sure to tighten the tie-plate mounting screws after completing the adjustment.