



TOA

SPEAKER WALL MOUNTING BRACKET

HY-WM7W

DESCRIPTION

The HY-WM7W Speaker Wall Mounting Bracket is intended for mounting the HX-7W Speaker System to the wall by using in combination with the optional HY-VM7W Speaker Rigging Bracket.

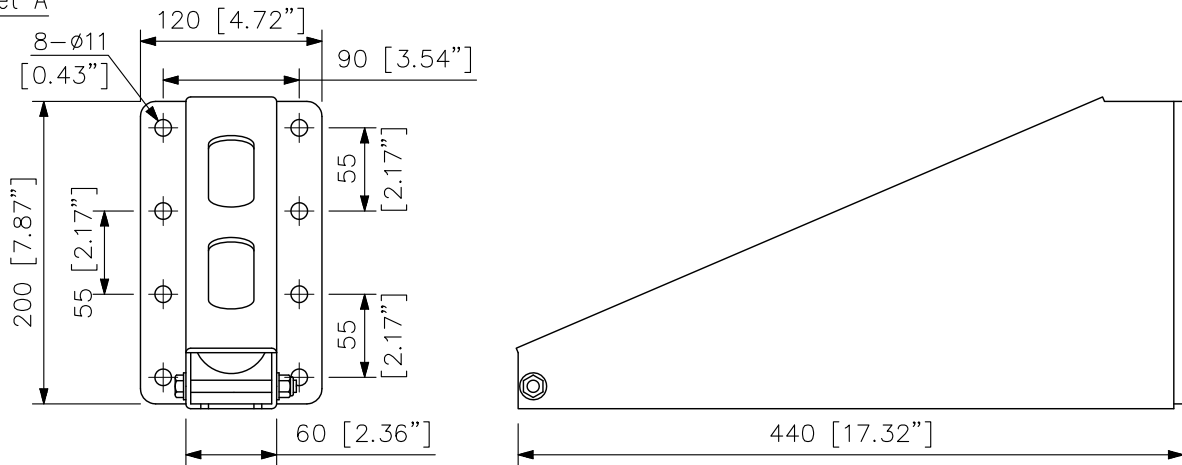
SPECIFICATIONS

Finish	Steel plate, white, semi-gloss, paint
Weight	5 kg (11.02 lb)
Accessory	Speaker mounting bolt ...4
Option	Speaker rigging bracket: HY-VM7W
Product Composition	Bracket A ...1, Bracket B ...1

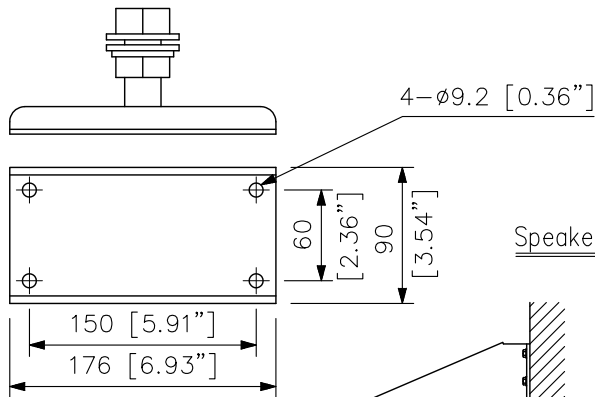
Note: Wall mounting bolts and nuts are not supplied.

APPEARANCE

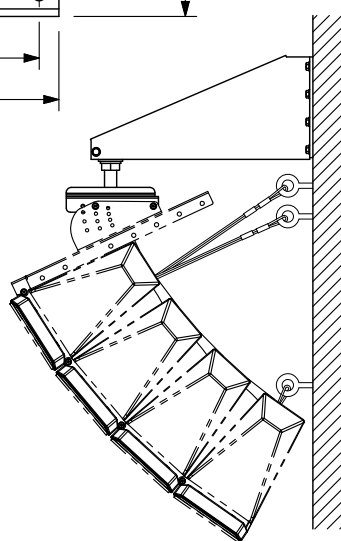
Bracket A



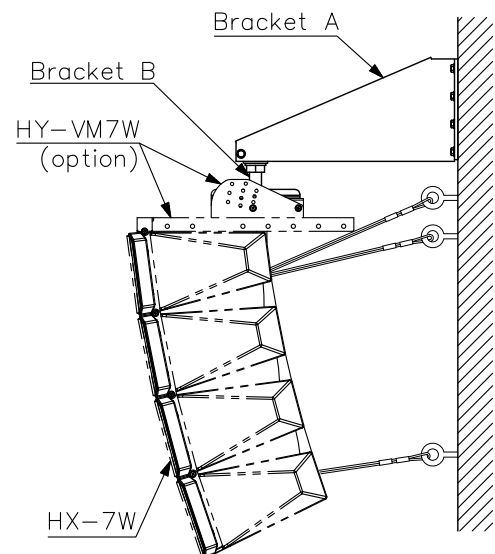
Bracket B



Speaker mounting example (scale: 1/15)



Speaker: 30° mode
Bracket: When set to a tilt angle of 25°



Speaker: 15° mode
Bracket: When set to a tilt angle of 0°

Note: Wires, anchor shackles, and carabiners necessary for hanging are not supplied with the product.

UNIT:mm SCALE:1/5