

TOA INSTALLATION MANUAL

MATCHING TRANSFORMER

MT-S0301

Thank you for purchasing TOA Matching Transformer. Please carefully follow the instructions in this manual to ensure long, trouble-free use of your equipment.

1. SAFETY PRECAUTIONS

- Before installation or use, be sure to carefully read all the instructions in this section for correct and safe operation.
- Be sure to follow all the precautionary instructions in this section, which contain important warnings and/or cautions regarding safety.
- After reading, keep this manual handy for future reference.

CAUTION
Indicates a potentially hazardous situation which, if mishandled, could result in moderate or minor personal injury, and/or property damage.

- Install the unit in the specified speaker, as doing otherwise may cause the matching transformer or the speaker to heat, resulting in a fire.
- Leave the installation of the unit to your TOA dealer because the installation requires expert experience and skills. Incorrect wiring may cause the equipment to heat, resulting in fire.
- Avoid connecting to a 170 Ω tap when using the speaker on high impedance 100 V line. Otherwise, heat builds up in the matching transformer, possibly causing a fire.

2. GENERAL DESCRIPTION

The MT-S0301 Matching Transformer (rated input: 30 W) is designed to be installed in the speaker and used to convert the low-impedance speaker into the high-impedance version.

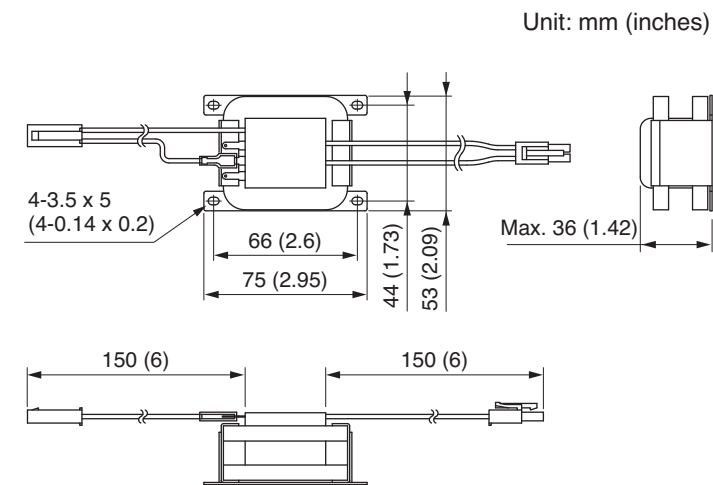
3. SPECIFICATIONS

Rated Input	30 W
Primary Terminal	High impedance 100 V Line: 330 Ω (30 W), 1 kΩ (10 W) High impedance 70 V Line: 170 Ω (30 W), 330 Ω (15 W), 1 kΩ (5 W)
Secondary Terminal	8 Ω
Dimensions	75 (w) x 36 (h) x 53 (d) mm (2.95" x 1.42" x 2.09")
Weight	370 g (13.05 oz)

Note: The design and specifications are subject to change without notice for improvement.

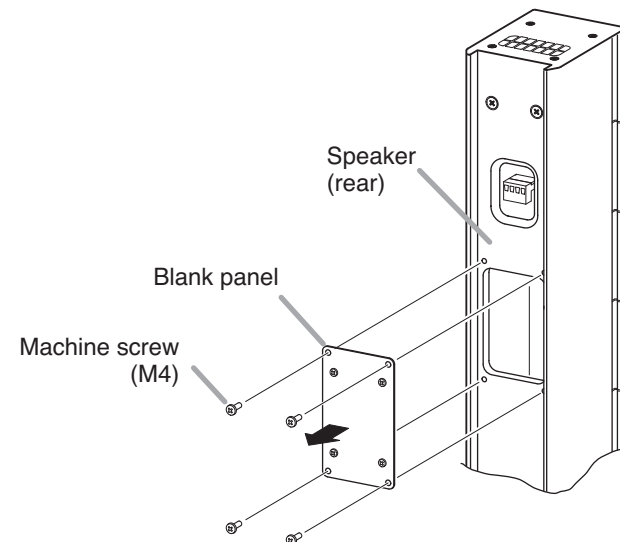
- **Accessory**
Impedance indication label sheet 1

4. DIMENSIONAL DIAGRAM

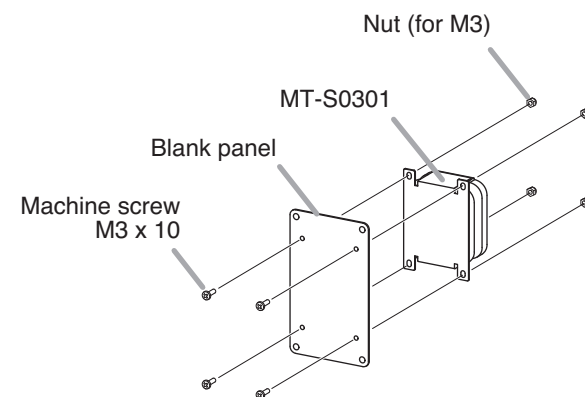


5. MOUNTING PROCEDURES

Step 1. Remove 4 screws holding the blank panel to the speaker and detach the panel.

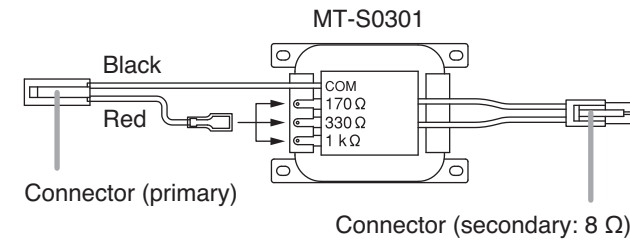


Step 2. Mount the matching transformer to the back side of the blank panel with the machine screws and nuts attached to the blank panel.



Step 3. Connect a lead wire to the desired impedance tap.

CAUTION
Never connect to a 170 Ω tap when using the speaker on high impedance 100 V line. Otherwise, heat builds up in the matching transformer, possibly causing a fire.



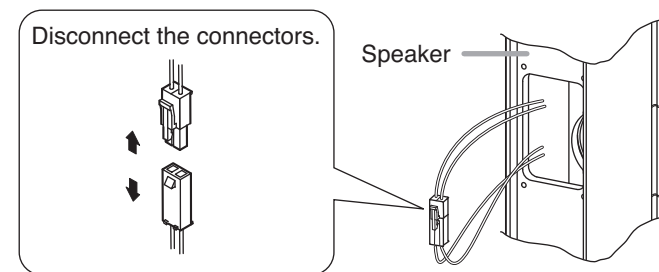
- Notes**
- The lead wire is connected to 330 Ω tap at the factory.
 - Make wiring to the tap before installing the transformer into the speaker.
- Note that the tap cannot be changed from the outside once the transformer has been installed.

The following table shows usable impedance.

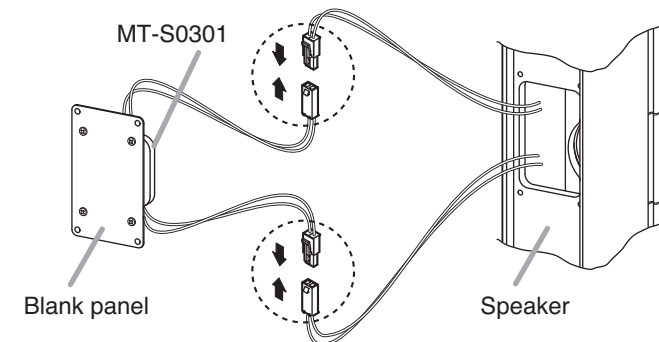
Primary impedance	High impedance 100 V line	High impedance 70 V line
170 Ω	Unusable	30 W
330 Ω	30 W	15 W
1 k Ω	10 W	5 W

Step 4. Disconnect the lead wire connectors and connect them to the matching transformer.

4-1. Pull the lead wire out of the speaker and disconnect the interlocked connectors.

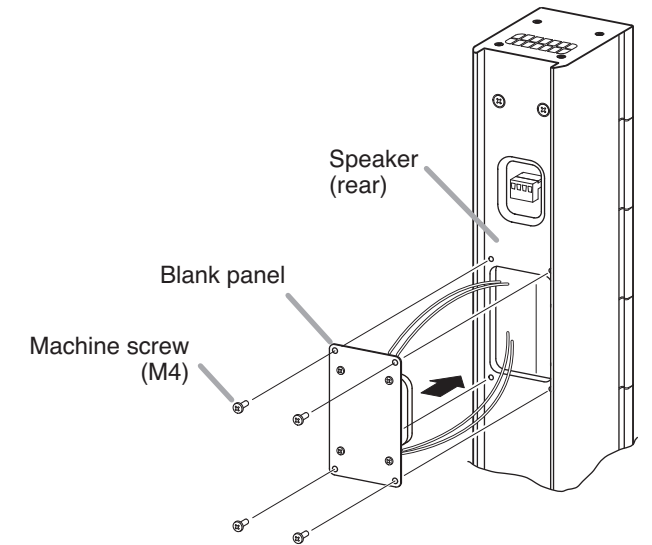


4-2. Connect the removed connectors to the connectors from the transformer.

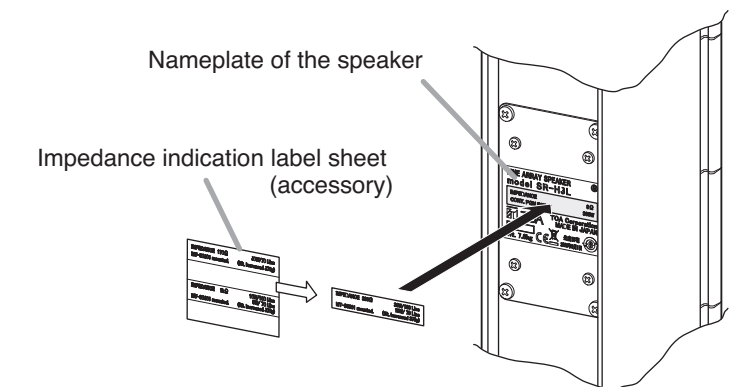


Step 5. Replace the blank panel with the matching transformer fixed in the speaker.

Note
Take care not to pinch the lead wire between the blank panel and speaker body when replacing the panel.



Step 6. Attach the impedance indication label to the given place in the speaker nameplate. Select the indication label corresponding to the impedance set in step 3 from 3 different labels.



Note
The above figure shows an example for attaching the indication label of 330 Ω.