

CEILING MOUNT SPEAKER

PC-1868W-EB

❖ DESCRIPTION

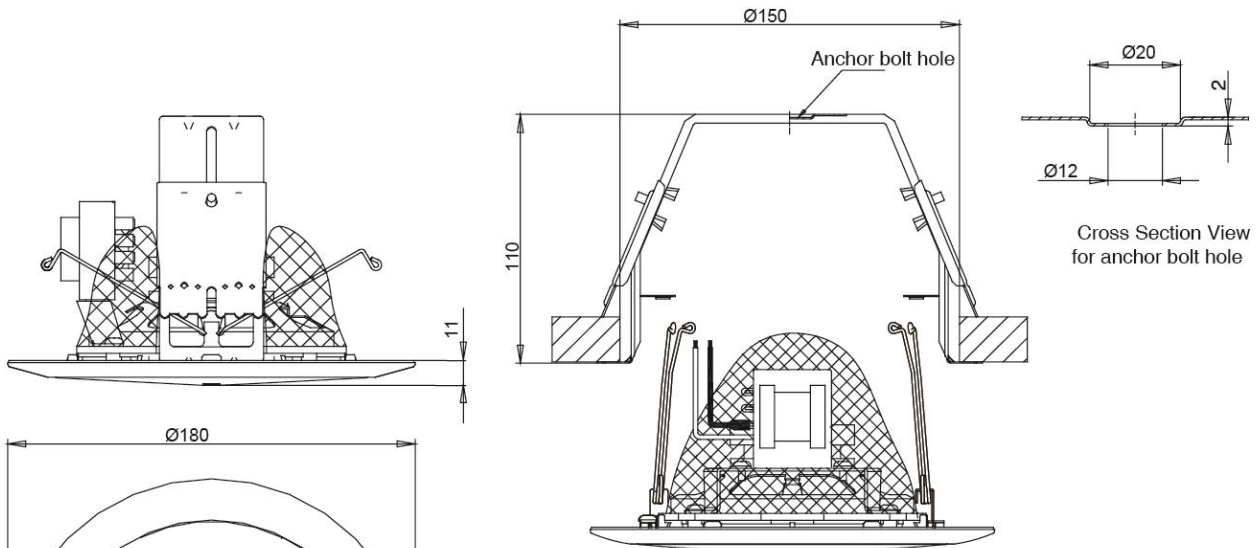
Designed for simple installation, the TOA PC-1868W-EB is equipped with a metal grille and an ABS resin Baffle. It can be easily installed thanks to its spring catch method. The front net is also made of metal, simplifying cleaning.

❖ SPECIFICATIONS

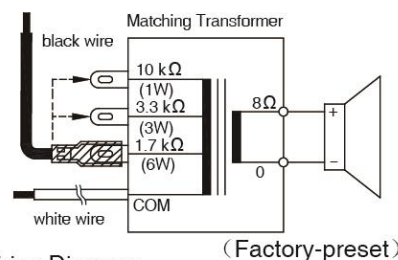
Rated Input	6 W (for 100 V line), 3 W (for 70 V Line)
Rated Impedance	100 V line : 1.7 k Ω (6 W), 3.3 k Ω (3 W), 10 k Ω (1 W) (Internal wiring must be changed) 70 V line : 1.7 k Ω (3 W), 3.3 k Ω (1.5 W), 10 k Ω (0.5 W) (Internal wiring must be changed)
Sound Pressure Level	90 dB (1 W, 1 m, 330 - 3,300 Hz Pink noise)
Frequency Response	100 - 16,000 Hz
Speaker Component	12 cm cone-type
Dimension for Fixing Hole	ϕ 150 (mounting hole) x 50 (maximum ceiling thickness) mm
Speaker Mounting Method	Spring catch
Applicable Cable	Solid copper wire or 7-core twisted copper wire More than ϕ 0.8 mm or 0.5 mm ² or more
Finish	Baffle : ABS resin, pure white (equivalent color) Grille : Net, pure white (equivalent color), paint
Dimensions	180 x 11 (exposed section) + 110 (D) mm
Weight	675 g (bracket included)

[Note] Do not cover the speaker with heat insulating material or sound absorbing material.
Ensure that the speaker is kept away from the heat insulating material.

❖ APPEARANCE



Mounting Diagram



Wiring Diagram

UNIT : mm SCALE : 1 / 3

[Note] Use transformer terminals when changing input impedance.