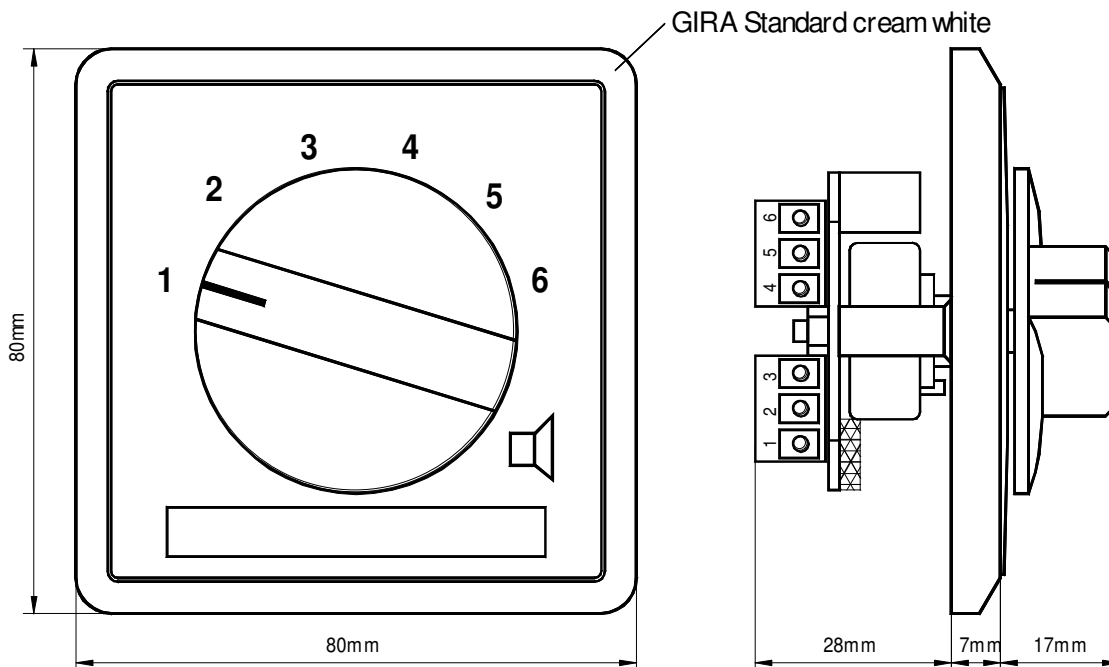




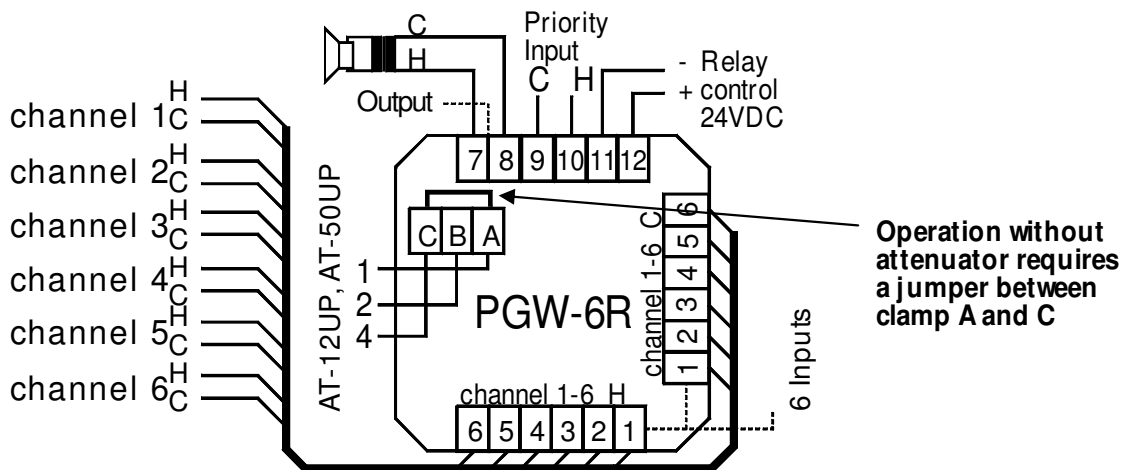
Program Selector with Priority Relay PGW-6R

TOA

Dimensions



Connection



Specifications

Input voltage	100 volts AC
Input power at inputs 1 - 6	125 watts
Input power at priority input	125 watts
Input power with attenuator	rated power of attenuator

TOA Electronics Europe GmbH