

SUBSTATION RS-150, RS-160, RS-170, RS-180

Thank you for purchasing TOA's Substation.
Please carefully follow the instructions in this manual to ensure long, trouble-free use of your equipment.

Note: For operation of the units, refer to the VS-900 operating instructions or the N-8000 series operating instructions.

1. GENERAL DESCRIPTION

TOA's RS-150, RS-160, RS-170, and RS-180 are Substations designed to be used with TOA's VS-900 Voice Security System and N-8000 Series Packet Intercom System.

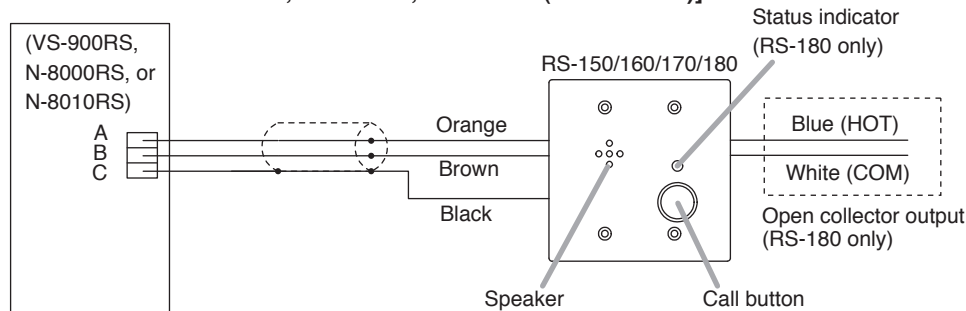
2. SPECIFICATIONS

Model No.	RS-150	RS-160	RS-170	RS-180
Rated Input	1 W			
Rated Impedance	625 Ω (1 W, 25 V)			
Internal Speaker	4 cm dynamic type			
Transmission Range	0.5 km/ø0.5 mm (AWG24) 0.8 km/ø0.65 mm (AWG22) 1.3 km/ø0.9 mm (AWG19)			
Control Output	(RS-180 only)	Open collector, Withstand voltage: 30 V DC, Control current: 30 mA (The open collector output is kept turned on till the conversation is finished after the call button was pressed.)		
Operating Temperature	-10 to +50°C (Temperature range not to freeze the speaker and switch)			
Finish	(Panel)	Stainless steel, hairline		
	(Call button)	Resin	Metal	
(Printed circuit board)	(RS-170, RS-180 only) Weather-resistant coating			
Dimensions	(w)	120 mm		
	(h)	120 mm		
	(d)	48.5 mm	57.5 mm	58.5 mm
Weight	410 g	540 g	570 g	
Accessories	Machine screw M4 x 25 ... 4, UNC No. 6-32 x 18 ... 4			
Applicable Box (For flush-mount)	2-gang electrical box: YC-302 (option)			
	(For surface-mount)	Wall-mount box: YC-822 (option)	Wall-mount box: YC-822/YC-823 (option)	

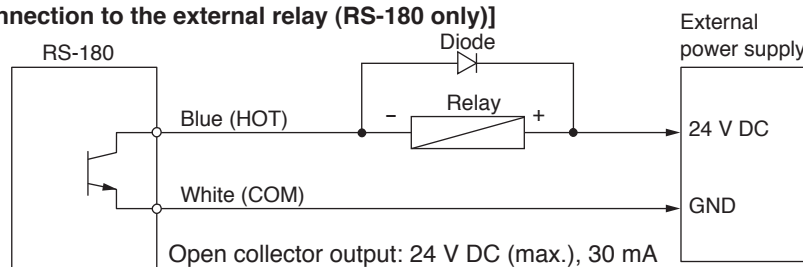
Note: The design and specifications are subject to change without notice for improvement.

3. CONNECTIONS

[Connection to the VS-900RS, N-8000RS, N-8010RS (for 25 V line)]



[Connection to the external relay (RS-180 only)]

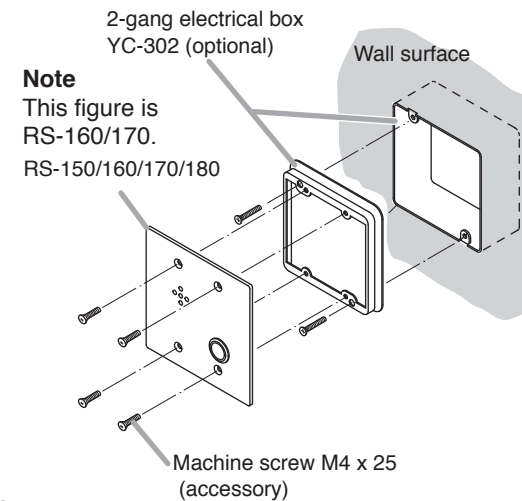


Note
Cut out the control cables if they are not used to avoid short-circuiting.

4. MOUNTING

[Flush mounting using an electrical box]

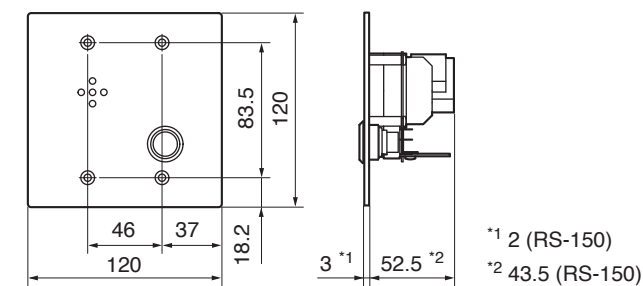
Mount the substation to an electrical box mounted to the wall.



Note
This figure is RS-160/170.
RS-150/160/170/180

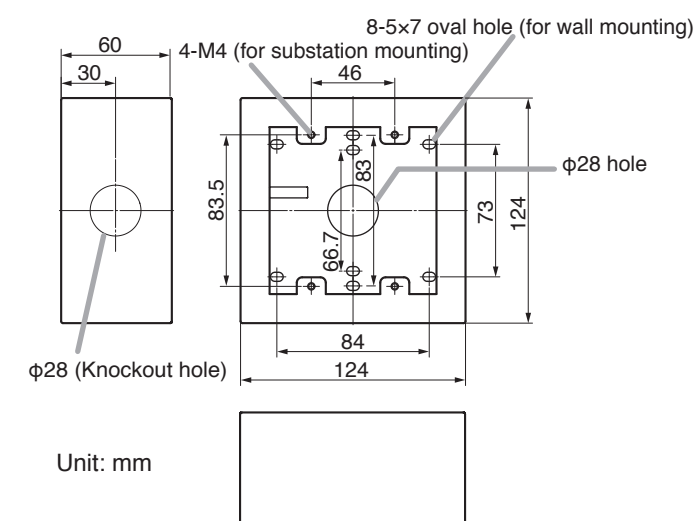
Note
When using the PA paging function, keep the station as far away from the PA paging speaker as possible to avoid acoustic feedback.

[Dimensional diagram]



Unit: mm

[YC-822 dimensional diagram]

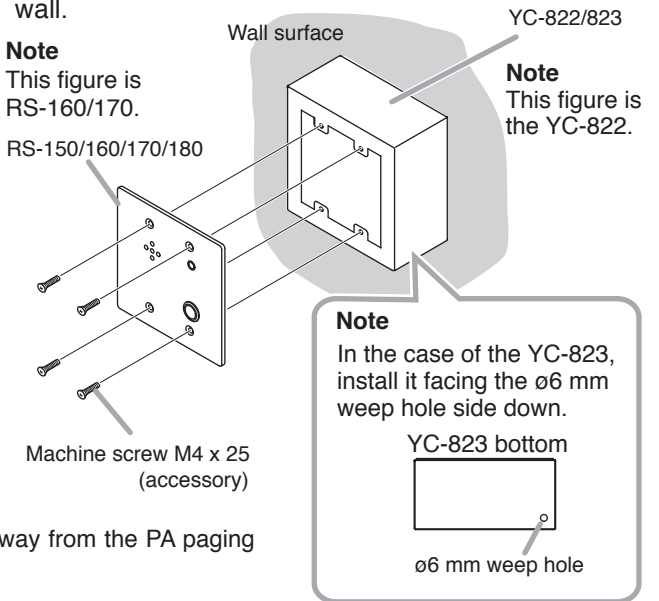


Unit: mm

[Wall surface mounting using the Wall-mount box]

Attach the Substation to the YC-822 (Indoor wall-mount box) or YC-823 (Outdoor wall-mount box) installed on a wall.

Note
This figure is RS-160/170.
RS-150/160/170/180

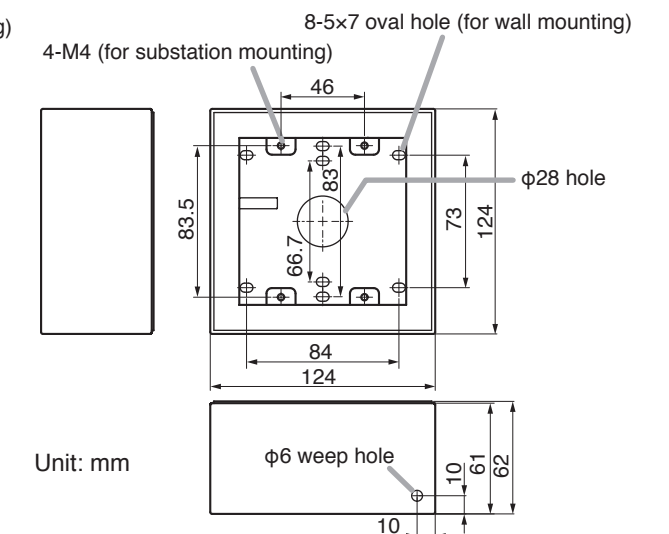


Note
This figure is the YC-822.
Note
In the case of the YC-823, install it facing the ø6 mm weep hole side down.
YC-823 bottom
ø6 mm weep hole

Accessory screws

The RS-150, RS-160, RS-170, and RS-180 come with 2 types of screws: M4 x 25 and UNC No. 6-32 x 18. For the electrical box provided with unified threads, use the UNC No. 6-32 x 18 screw.

[YC-823 dimensional diagram]



Unit: mm

Warning

This is a class A product. In a domestic environment this product may cause radio interference in which case the user may be required to take adequate measures.

Traceability Information for Europe (EMC directive 2004/108/EC)

Manufacturer:
TOA Corporation
7-2-1, Minatojima Nakamachi, Chuo-ku, Kobe, Hyogo, Japan

Authorized representative:
TOA Electronics Europe GmbH
Suederstrasse 282, 20537 Hamburg, Germany