

STAND ADAPTER SR-SA3

The SR-SA3 is a Stand Adapter designed to install the Line Array Speaker SR-H2L, SR-H2S, SR-H3L, or SR-H3S on the ST-33B Speaker Stand.

1. SAFETY PRECAUTIONS

The safety precautions in this section apply to the SR-SA3 Stand Adapter. For precautions relating to other combination products, refer to the instruction manual enclosed with each equipment.

- Before installation or use, be sure to carefully read all the instructions in this section for correct and safe operation.
- Be sure to follow all the precautionary instructions in this section, which contain important warnings and/or cautions regarding safety.
- After reading, keep this manual handy for future reference.

⚠ WARNING

Indicates a potentially hazardous situation which, if mishandled, could result in death or serious personal injury.

- Do not use other methods than specified to mount the Stand Adapter. Extreme force is applied to the unit and the unit could fall down or off, possibly resulting in personal injuries.
- Ensure that all bolts are securely tightened. If they are not tightened or firmly secured after installation, the unit could fall down or off, possibly resulting in personal injury.
- Use the SR-H2L, SR-H2S, SR-H3L, or SR-H3S speaker, and the ST-33B Speaker Stand in combination. Doing otherwise may cause the speaker system to fall down or off, resulting in personal injury.
- Be sure to follow the precautions below when using the speaker stand. Otherwise, the stand with speaker installed may fall down, causing personal injury.
 - Spread the tripod legs until the stays extend horizontally.
 - The height of the speaker's top surface from the floor must be 240 cm (95") or less.

⚠ CAUTION

Indicates a potentially hazardous situation which, if mishandled, could result in moderate or minor personal injury, and/or property damage.

- Avoid touching the unit's sharp metal edge to prevent injury.

2. SPECIFICATIONS

Applicable Speaker	SR-H2L, SR-H2S, SR-H3L, SR-H3S
Applicable Stand	ST-33B
Finish	Rolled steel plate, black, paint
Dimensions	62 (w) x 385 (h) x 69 (d) mm (2.44" x 15.16" x 2.72")
Weight	1.4 kg (3.09 lb)
Accessory	Hex bolt M5 x 25 (with washer) 4

Note: The design and specifications are subject to change without notice for improvement.

3. INSTALLATION (See the figure at right.)

Note

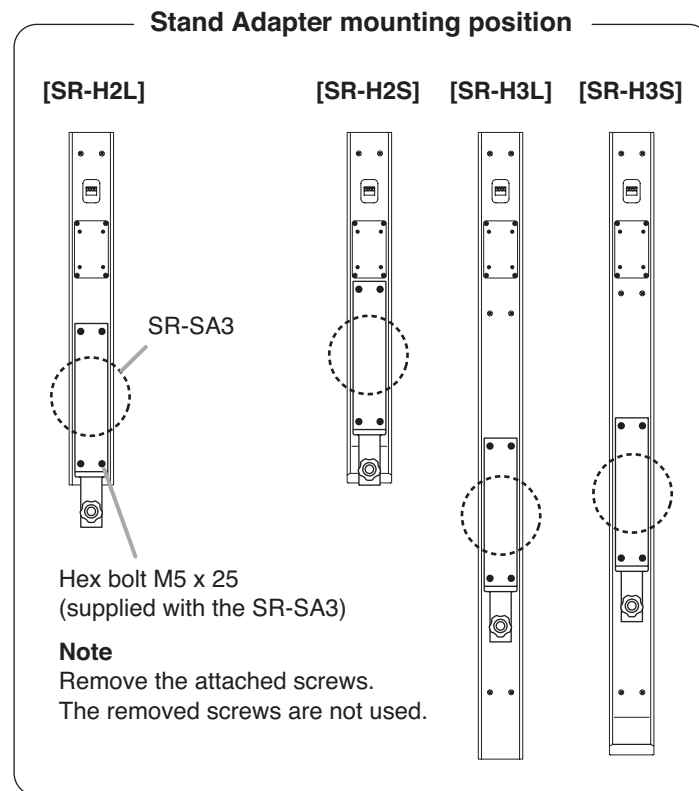
Only 1 speaker can be installed using the SR-SA3. (Never use the SR-SA3 to install the linked speakers.)

Step 1. Attach the Stand Adapter to the speaker's rear.

Remove the specified screws on the speaker's rear surface, then use their screw holes to secure the Stand Adapter. In this event, the removed screws are not used.

Note

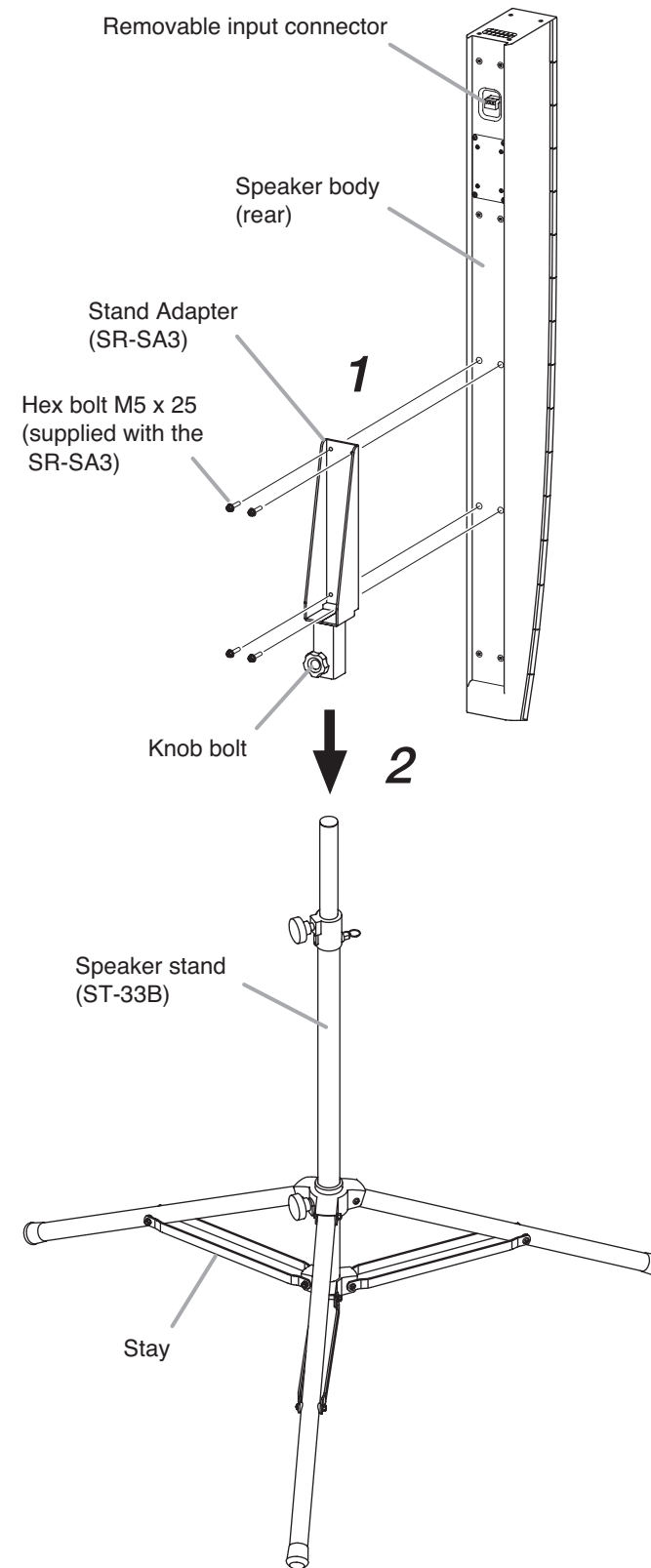
For the Stand Adapter mounting position, refer to the figure below.



Step 2. Mount the speaker (with the Adapter attached) on the stand, then securely tighten the Adapter's knob bolt.

Notes

- Spread the tripod legs wide apart enough to keep the stand stable.
- Lower the height of the speaker stand to make installation work easier.
- For the speaker stand installation, refer to the instruction manual enclosed with the ST-33B Speaker Stand.
- For the speaker cable connection, refer to the instruction manual enclosed with the applicable speaker.



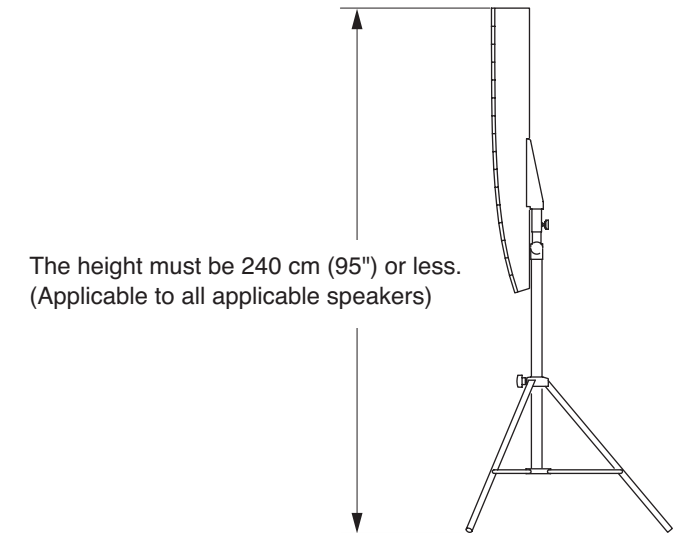
⚠ WARNING

Spread the tripod legs until the stays extend horizontally and always use the stand in stable condition. If the legs are not sufficiently spread, this may cause the stand and mounted speaker to fall down, resulting in personal injury.

The figure shows an example for installing the SR-H3S.

4. HOW TO USE

[About a height limit of the speaker]

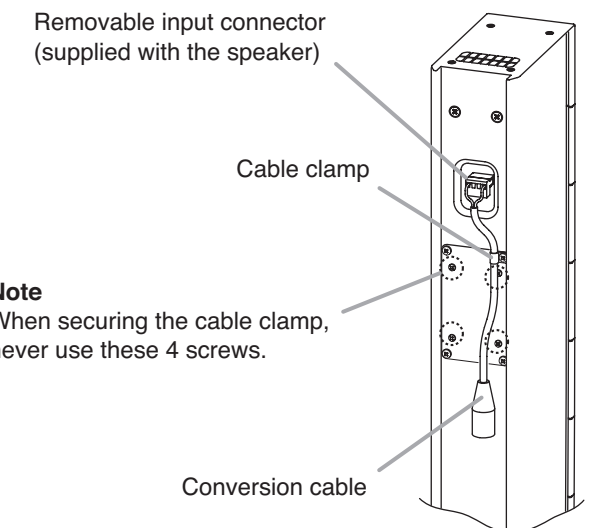


⚠ WARNING

When using the speaker stand, the height of the speaker's top surface from the floor must be 240 cm (95") or less. Otherwise, the stand may fall down, causing personal injury.

[About a conversion cable for speaker cable]

When connecting the speaker cable to the speaker input terminal via the XLR or Neutrick "Speakon" connector, use a short conversion cable as shown below, then secure it on the speaker's rear with a cable clamp.



Note

When securing the cable clamp, never use these 4 screws.

Note

Prepare the conversion cable and cable clamp separately.