



日本語の取扱説明書は裏面をご覧ください。

# INSTRUCTION MANUAL

# MICROPHONE STAND

# ST-73A

## SAFETY PRECAUTIONS

- Be sure to read the instructions in this section carefully before use.
- Make sure to observe the instructions in this manual as the conventions of safety symbols and messages regarded as very important precautions are included.
- We also recommend you keep this instruction manual handy for future reference.

### Safety Symbol and Message Conventions

Safety symbols and messages described below are used in this manual to prevent bodily injury and property damage which could result from mishandling. Before operating your product, read this manual first so you are thoroughly aware of the potential safety hazards as well as understand the safety symbols and messages.

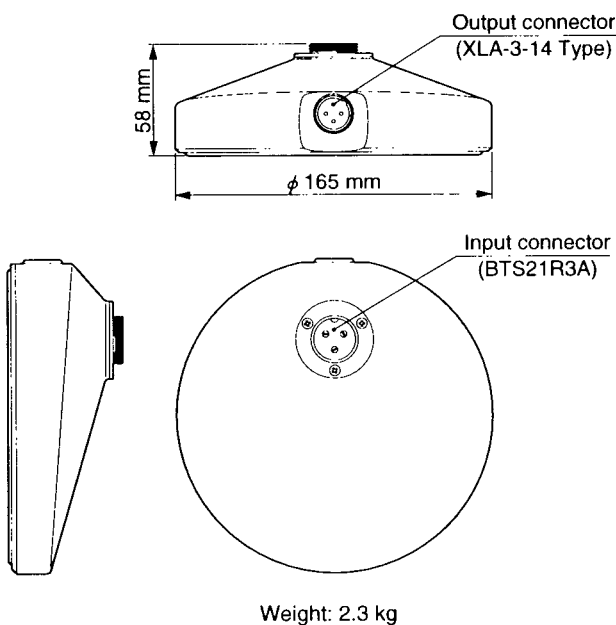


### CAUTION

Indicates a potentially hazardous situation which, if mishandled, could result in moderate or minor personal injury, and/or property damage.

- Avoid installing or mounting the stand in unstable locations, such as on a rickety table or a slanted surface. Doing so may result in the unit falling down and causing personal injury and/or property damage.
- Take special care when installing the connection cord. If people accidentally get caught in the cord, the stand may fall off or down, causing personal injury.

## APPEARANCE



## CIRCUIT DIAGRAM

