

COLUMN SPEAKERS

TZ-105, TZ-205

Thank you for purchasing TOA's COLUMN SPEAKER.
Please carefully follow the instructions in this manual to ensure long, trouble-free use of your equipment.

1. SAFETY PRECAUTIONS

- Be sure to read the instructions in this section carefully before use.
- Make sure to observe the instructions in this manual as the conventions of safety symbols and messages regarded as very important precautions are included.
- We also recommend you keep this instruction manual handy for future reference.

⚠ WARNING
Indicates a potentially hazardous situation which, if mishandled, could result in death or serious personal injury.

- Install the speaker only in a location that can structurally support the weight of the speaker and the mounting bracket. Doing otherwise may result in the unit falling down and causing personal injury and/or property damage.

⚠ CAUTION
Indicates a potentially hazardous situation which, if mishandled, could result in moderate or minor personal injury, and/or property damage.

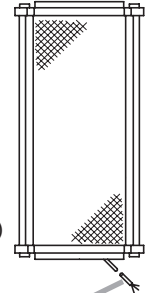
- Do not place heavy objects on the speaker as this may cause it to fall or break which may result in personal injury and/or property damage. In addition, the object itself may fall off and cause injury and/or damage.
- Do not stand or sit on, nor hang down from the speaker as this may cause it to fall down or drop, resulting in personal injury and/or property damage.
- Do not operate the speaker for an extended period of time with the sound distorting. Doing so may cause the connected speakers to heat, resulting in a fire.

2. FEATURES

The TZ-105 and TZ-205 are column speakers with built-in identical cone speakers (2 for TZ-105, 4 for TZ-205) vertically arranged on the baffle boards. They present sound pressure characteristics in an extremely narrow angle in a vertical plane and in a wide angle in a horizontal plane.

3. INSTALLATION PRECAUTIONS

This column speaker features a drain hole built into same panel that holds the speaker cord. For proper drainage, during installation please ensure that this panel faces down toward the ground.



(This figure shows the TZ-105.)

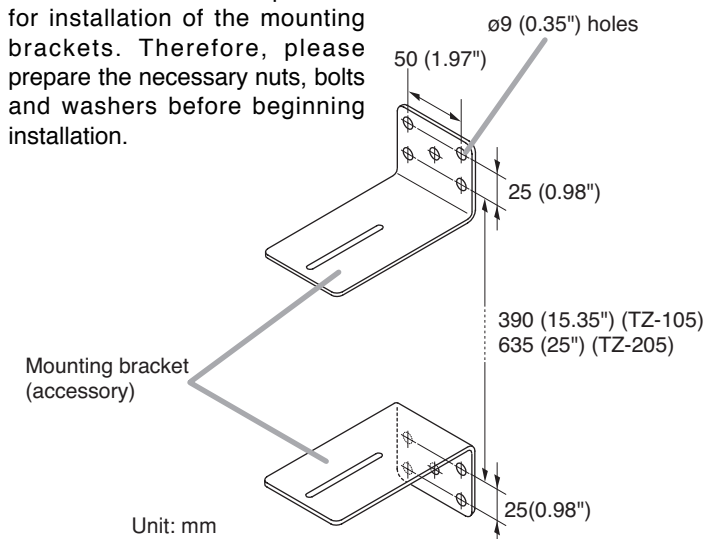
Speaker cord

4. INSTALLATION

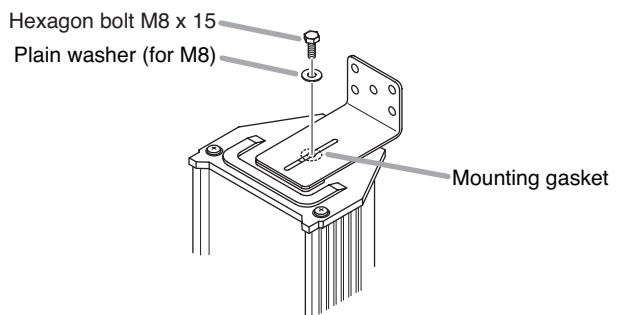
Step 1. Mount the supplied top and bottom mounting brackets to the mounting surface.

Note

No hardware has been provided for installation of the mounting brackets. Therefore, please prepare the necessary nuts, bolts and washers before beginning installation.



Step 2. Using the supplied hexagon bolt, washer, and mounting gasket, fix the speaker to the top bracket.

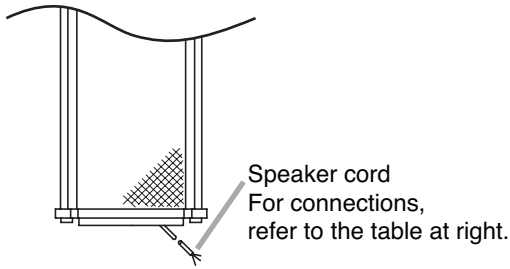


Step 3. Similarly, fix the speaker to the bottom bracket.

Note

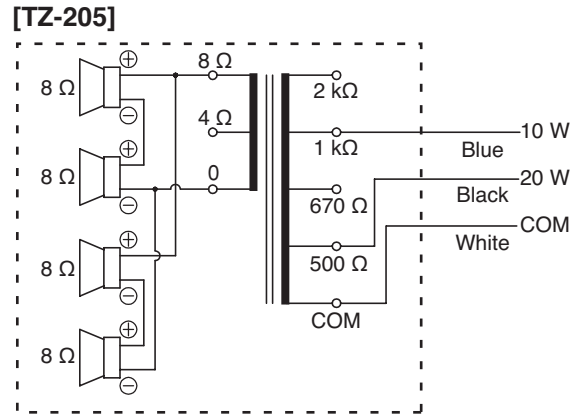
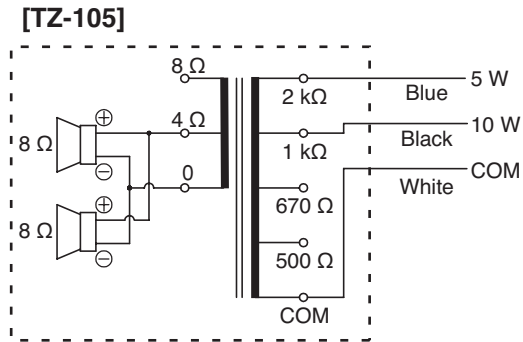
When adjusting the speaker angle, use the optional YS-301 Speaker mounting kit.

5. SPEAKER CORD COLOR CODING



Model No.		TZ-105		TZ-205	
Rated input		10 W	5 W	20 W	10 W
Impedance		1 k Ω	2 k Ω	500 Ω	1 k Ω
Cord color coding	HOT	Black	Blue	Black	Blue
	COM	White	White	White	White

6. WIRING DIAGRAM



7. SPECIFICATIONS

Model No.	TZ-105	TZ-205
Rated Input	10 W (Max. 15 W)	20 W (Max. 30 W)
Rated Impedance	100 V line: 1 k Ω (10 W), 2 k Ω (5 W)	100 V line: 500 Ω (20 W), 1 k Ω (10 W)
Sound Pressure Level	90 dB (1 W, 1 m)	93 dB (1 W, 1 m)
Frequency Response	150 Hz – 10 kHz	
Speaker Component	12 cm (5") cone-type x 2	12 cm (5") cone-type x 4
Water Resistance	IP-X3 equivalent	
Finish	Enclosure: Extruded aluminum, silver gray, fully-glazed, baked paint Grille: Punched aluminum net, black, matte, baked paint Mounting bracket: Steel plate, silver gray, fully-glazed, baked paint	
Dimensions	167 (w) x 335 (h) x 141 (d) mm (6.57" x 13.19" x 5.55")	167 (w) x 580 (h) x 141 (d) mm (6.57" x 22.83" x 5.55")
Weight	Speaker only	3.4 kg (7.5 lb)
	Including mounting bracket	4 kg (8.82 lb)
		5.1 kg (11.24 lb)
		5.7 kg (12.57 lb)

Note: The design and specifications are subject to change without notice for improvement.

• Accessories

Mounting bracket	2	Hexagon bolt M8 x 15	2
Mounting gasket	2	Plain washer (for M8)	2

Traceability Information for Europe (EMC directive 2004/108/EC)

Manufacturer:
TOA Corporation
7-2-1, Minatojima Nakamachi, Chuo-ku, Kobe, Hyogo,
Japan

Authorized representative:
TOA Electronics Europe GmbH
Suederstrasse 282, 20537 Hamburg,
Germany