



OPERATING INSTRUCTIONS

WIRELESS TUNERS

**WT-5800
WT-5805**

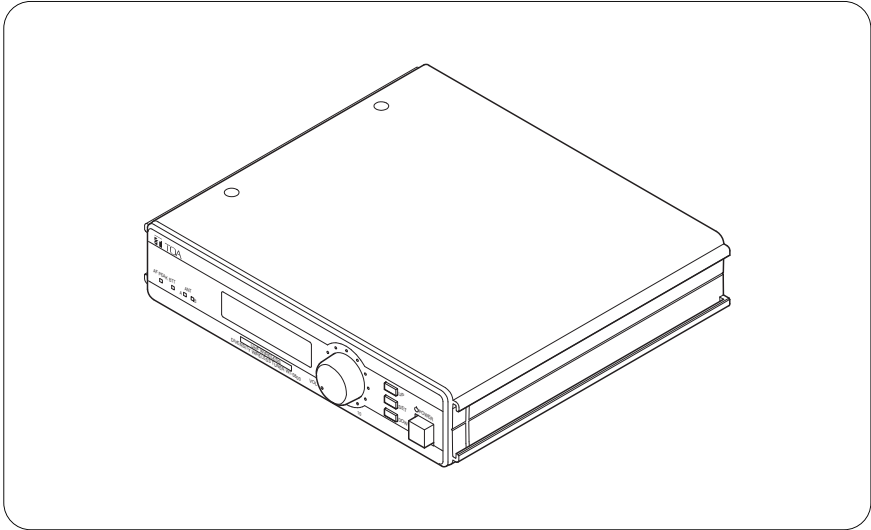


TABLE OF CONTENTS

1. SAFETY PRECAUTIONS	2	7. HOW TO CHECK AND DEAL	
2. GENERAL DESCRIPTION	3	WITH INTERFERENCE	9
3. FEATURES	3	8. CONNECTION EXAMPLES	10
4. HANDLING PRECAUTIONS	4	9. RACK MOUNTING	11
5. NOMENCLATURE AND FUNCTIONS		10. SPECIFICATIONS	12
Front	4	Accessories	12
Rear	5	Optional products	12
6. OPERATION			
6.1. Basic Operation	5		
6.2. Function Settings	6		

Thank you for purchasing TOA's Wireless Tuner.

Please carefully follow the instructions in this manual to ensure long, trouble-free use of your equipment.

1. SAFETY PRECAUTIONS

- Be sure to read the instructions in this section carefully before use.
- Make sure to observe the instructions in this manual as the conventions of safety symbols and messages regarded as very important precautions are included.
- We also recommend you keep this instruction manual handy for future reference.

Safety Symbol and Message Conventions

Safety symbols and messages described below are used in this manual to prevent bodily injury and property damage which could result from mishandling. Before operating your product, read this manual first and understand the safety symbols and messages so you are thoroughly aware of the potential safety hazards.



WARNING

Indicates a potentially hazardous situation which, if mishandled, could result in death or serious personal injury.

When Installing the Unit

- Do not expose the unit to rain or an environment where it may be splashed by water or other liquids, as doing so may result in fire or electric shock.
- Use the unit only with the voltage specified on the unit. Using a voltage higher than that which is specified may result in fire or electric shock.
- Do not cut, kink, otherwise damage nor modify the power supply cord. In addition, avoid using the power cord in close proximity to heaters, and never place heavy objects -- including the unit itself -- on the power cord, as doing so may result in fire or electric shock.
- Avoid installing or mounting the unit in unstable locations, such as on a rickety table or a slanted surface. Doing so may result in the unit falling down and causing personal injury and/or property damage.
- To prevent lightning strikes, install the unit at least five meters away from a lightning rod, and yet within the protective range (angle of 45°) of the lightning conductor. Lightning strikes may cause a fire, electric shock or personal injury.
- Since the unit is designed for in-door use, do not install it outdoors. If installed outdoors, the aging of parts causes the unit to fall off, resulting in personal injury. Also, when it gets wet with rain, there is a danger of electric shock.

When the Unit is in Use

- Should the following irregularity be found during use, immediately switch off the power, disconnect the power supply plug from the AC outlet and contact your nearest TOA dealer. Make no further attempt to operate the unit in this condition as this may cause fire or electric shock.
 - If you detect smoke or a strange smell coming from the unit.
 - If water or any metallic object gets into the unit
 - If the unit falls, or the unit case breaks
 - If the power supply cord is damaged (exposure of the core, disconnection, etc.)
 - If it is malfunctioning (no tone sounds.)
- Do not place cups, bowls, or other containers of liquid or metallic objects on top of the unit. If they accidentally spill into the unit, this may cause a fire or electric shock.
- Do not touch the unit's antennas during thunder and lightning, as this may result in electric shock.



CAUTION

Indicates a potentially hazardous situation which, if mishandled, could result in moderate or minor personal injury, and/or property damage.

When Installing the Unit

- Never plug in nor remove the power supply plug with wet hands, as doing so may cause electric shock.

- When unplugging the power supply cord, be sure to grasp the power supply plug; never pull on the cord itself. Operating the unit with a damaged power supply cord may cause a fire or electric shock.
- When moving the unit, be sure to remove its power supply cord from the wall outlet. Moving the unit with the power cord connected to the outlet may cause damage to the power cord, resulting in fire or electric shock. When removing the power cord, be sure to hold its plug to pull.
- The socket outlet shall be installed near the equipment and shall be easily accessible.
- Avoid installing the unit in humid or dusty locations, in locations exposed to the direct sunlight, near the heaters, or in locations generating sooty smoke or steam as doing otherwise may result in fire or electric shock.
- Leave the installation of an antenna to your TOA dealer because the installation requires expert knowledge. The falling of an antenna may cause electric shock.

When the Unit is in Use

- Do not place heavy objects on the unit as this may cause it to fall or break which may result in personal injury and/or property damage. In addition, the object itself may fall off and cause injury and/or damage.
- Make sure that the volume control is set to minimum position before power is switched on. Loud noise produced at high volume when power is switched on can impair hearing.
- Never open the unit case as there are high temperature parts inside the unit, which may cause a burn if touched. Refer all servicing to your nearest TOA dealer.
- Use the dedicated AC adapter for the unit. Note that the use of other adapter may cause a fire.
- If dust accumulates on the power supply plug or in the wall AC outlet, a fire may result. Clean it periodically. In addition, insert the plug in the wall outlet securely.
- Switch off the power, and unplug the power supply plug from the AC outlet for safety purposes when cleaning or leaving the unit unused for 10 days or more. A fire or electric shock may result.
- Any modifications made to this device that are not approved by TOA Corporation may void the authority granted to the user to operate this equipment.
- The term "IC:" before the radio certification number only signifies that the Industry Canada technical specifications were met. Operation is subject to the following two conditions:
 - (1) this device may not cause interference, and
 - (2) this device must accept any interference, including interference that may cause undesired operation of the device.

The frequencies between 865 MHz and 867 MHz do not comply with "CE."

2. GENERAL DESCRIPTION

The WT-5800/5805 Wireless Tuner is designed for use on the UHF band, and suitable for vocal or speech reinforcement applications. It features a compander circuit which minimizes the influence of ambient noise.

3. FEATURES

- An optimized PLL-synthesizer drastically minimizes the oscillation frequency drift resulting from the ambient temperature changes.
- The Scan function indicates available idle channels and is useful when changing the operating frequency.
- The LCD screen indicates the current operating frequency, as well as RF and AF levels.
- Antenna distribution outputs (WT-5800 only) and audio cascade inputs facilitate connection of another unit to build a dual-channel system.
- Compact size and high reliability

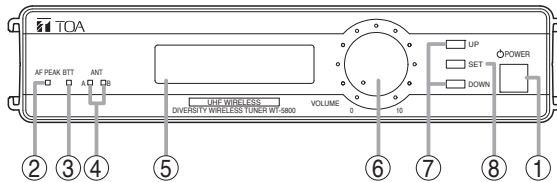
4. HANDLING PRECAUTIONS

- Make sure that the power switch is switched OFF after use.
- When mounting in an equipment rack, select the position which does not expose the unit to high temperature.
- When installing, keep the unit as far away as possible from fluorescent lamps, digital equipment, personal computers, and other equipment which generate high frequency noise.
- Only the same bank wireless systems can be used in the same location. Avoid using the systems in combination with those of different banks because interference or noise could be generated.
- Wireless tuners to be installed in the same location must differ from each other in channel number. Setting them for the same channel number could result in noise. Wireless microphones must be identical to wireless tuners in both bank and channel numbers.
- When using two or more wireless microphones, keep them at least 50 cm away from each other to avoid malfunctions or noise.
- Keep the wireless microphone at least 3 m away from the receiving antenna. Using the microphone in close proximity to the antenna could result in malfunctions or noise.
- Be sure to connect at least two receiving antennas (one each for Channels A and B).

5. NOMENCLATURE AND FUNCTIONS

[Front]

This figure represents WT-5800.



1. Power switch

Press this switch to turn the power on, and press it again to turn off the power.

2. AF peak lamp

Lights when the output level reaches the point of about 3 dB below the clipping level.

3. Battery alarm lamp

Lights when the battery voltage in the corresponding wireless microphone becomes low.

4. Reception lamps

Either lamp of A (left) or B (right) lights yellow when the tuner receives a radio signal.

5. LCD screen

Displays the receiving frequency, and RF/AF levels in 6 steps when the unit is in normal operating state.

In setting mode, the screen displays the setting items and their contents.

6. Volume control

Adjusts an output level.

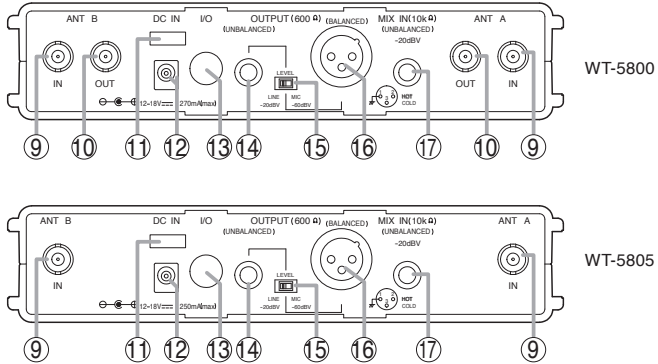
7. Up/Down keys

Select the setting items displayed on the screen.

8. Set key

Brings the unit in setting mode when pressed in normal operating state. In setting mode, pressing the Set key determines the selected setting item and registers its contents.

[Rear]



- 9. Antenna input A, B**
For signal routing A. Input: 75 Ω, BNC
For the wireless system covering a relatively narrow area, use the supplied two rod antennas, which should be set up at a 45° angle outwards from a vertical line.
- 10. Antenna distribution output A, B (WT-5800 only)**
75 Ω, BNC
- 11. Cable hanger**
Hook the power cable onto this part.



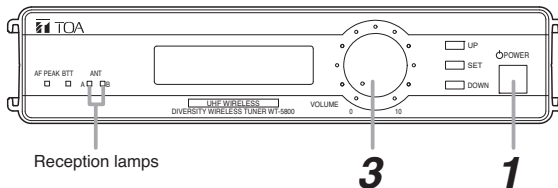
- 13. I/O port**
Used for service only.
- 14. AF output**
-20 dB*/-60 dB* selectable, unbalanced, phone jack.
- 15. AF output level selector**
Sets the output level from the AF outputs by selecting either MIC (-60 dB*/600 Ω) or LINE (-20 dB*/600 Ω).
- 16. AF output**
-20 dB*/-60 dB* selectable, balanced, XLR connector, male type (pin #2: Hot)
- 17. AF mixing input**
-20 dB*, 10 kΩ, unbalanced, phone jack.
Connects to other unit's AF output.

- 12. DC input jack**
Connect the power cable of the supplied AC adapter to this jack.

* 0 dB = 1 V

6. OPERATION

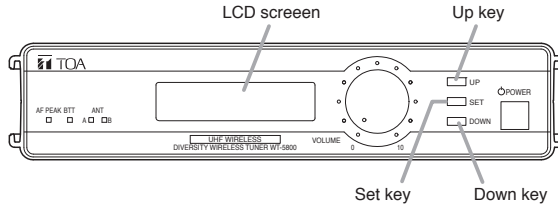
6.1. Basic Operation



- Step 1.** Turn the power on, and the LCD screen comes to display the receiving frequency and RF/AF levels.
- Step 2.** Set the microphone switch to the ON position.
The reception lamp lights when the tuner receives the same frequency signal.
- Step 3.** Adjust the volume control.
The output level increases as the control is rotated clockwise, and decreases as rotated counter-clockwise.

6.2. Function Settings

[Keys used in setting mode]



Setting items displayed on the LCD screen

The display cycles through the indications "SET CHANNEL," "SET BANK," "SET SQ LEVEL," "SET LCD POWER," CHANNEL CHECK," "RF CHECK," "About Model" and "Exit" with each depression of the Up key, or the Down key for the reverse action.

6.2.1. Channel (frequency) setting

- Step 1.** Press the Set key for about a second until the screen displays the first setting item "SET CHANNEL." The unit is placed in setting mode.
- Step 2.** Press the Set key, and the screen displays the currently-set channel and frequency with the prefix ">=" indication. (Example: >=8: 805.000 MHz)
- Step 3.** Select the desired channel/frequency with the Up or Down key. The display cycles through the contents with each depression of the Up or Down key.
- Step 4.** Press the Set key to register the selected channel/frequency. This terminates the Channel (frequency) setting, and the display returns to the "SET CHANNEL" indication.

Note

When leaving the original channel/frequency unchanged, select "Exit" with Up or Down key and press the Set key. Then, the display returns to the "SET CHANNEL" indication.

- Step 5.** When any other setting is not needed, select "Exit" with the Up or Down key and press the Set key. The unit returns to the normal operating state.

6.2.2. Bank number/frequency setting

- Step 1.** Press the Set key for over a second to place the unit in setting mode.
- Step 2.** Select the setting item "SET BANK" with the Up or Down key.
- Step 3.** Press the Set key again, and the screen displays the currently-set Bank number and frequency with the prefix ">=" indication. (Example: >=1:7 805.000 MHz)
- Step 4.** Select the desired Bank number/frequency with the Up or Down key. The display cycles through the contents with each depression of the Up or Down key.
- Step 5.** Press the Set key to register the selected Bank number/frequency. This terminates the Bank number/frequency setting, and the display returns to the "SET BANK" indication.

Note

When leaving the original Bank number/frequency unchanged, select "Exit" with Up or Down key and press the Set key. Then, the display returns to the "SET BANK" indication.

- Step 6.** When any other setting is not needed, select "Exit" with the Up or Down key and press the Set key. The unit returns to the normal operating state.

6.2.3. Squelch level setting

The WT-5800/5805 tuner has the squelch function that virtually eliminates ambient noise and unwanted audio signals from other wireless microphone systems by silencing the output when the signal received is lower than a certain level of signal strength. This strength level can be varied by means of the squelch control.

Step 1. Press the Set key for over a second to place the unit in setting mode.

Step 2. Select the setting item "SET SQ LEVEL" with the Up or Down key.

Step 3. Press the Set key, and the squelch level adjustment display "RF >" appears on the screen.

Step 4. Set the squelch level referring to the on-screen bar-graph meter (6 segments) which can be changed with Up or Down key.

Step 5. Press the Set key to register the selected value.

This terminates the Squelch level setting, and the display returns to the "SET SQ LEVEL" indication.

Note

When leaving the original value unchanged, select "Exit" with Up or Down key and press the Set key. Then, the display returns to the "SET SQ LEVEL" indication.

Step 6. When any other setting is not needed, select "Exit" with the Up or Down key and press the Set key. The unit returns to the normal operating state.

The squelch level ranges from "0" to "6." The wireless tuner's sensitivity is the highest and radio signals can be received in wide areas when the "0" level is selected, while the "6" level makes the sensitivity the lowest, limiting signal reception only to narrow areas.

The wireless microphone's signal transmission distance varies largely depending on its ambient conditions. The table below provides guidelines on the squelch level vs. transmission distance.

Squelch Level	0	1	2	3	4	5	6
Transmission Distance (%)	100	85	70	50	30	20	15

Note: Transmission distance is a relative ration with respect to 100% at "0" level.

Tips

- Set the control to the "0" position in locations free from interference.
- Set the control to the position that does not cause any reception loss of wireless microphone signals.

6.2.4. LCD backlight brightness adjustment

Step 1. Press the Set key for over a second to place the unit in setting mode.

Step 2. Select the setting item "SET LCD POWER" with the Up or Down key.

Step 3. Press the Set key, and the brightness adjustment display appears on the screen.

Step 4. Select either "HIGH (Bright)" or "LOW (Dark)" with the Up or Down key.

Step 5. Press the Set key to register the selected brightness level.

This terminates the Brightness setting, and the display returns to the "SET LCD POWER" indication.

Step 6. When any other setting is not needed, select "Exit" with the Up or Down key and press the Set key. The unit returns to the normal operating state.

6.2.5. Channel detection

Step 1. Press the Set key for over a second to place the unit in setting mode.

Step 2. Select the setting item "CHANNEL CHECK" with the Up or Down key.

Step 3. Press the Set key.

Channel detection begins, and an idle channel number with frequency is displayed on the screen.

When 2 or more idle channels exist, each of them can be displayed in sequence with the Up or Down key.

If no idle channel is detected, "Vacant CHANNEL doesn't exist" is displayed.

Step 4. Press the Set key to register the selected channel.

This terminates the Channel detection, and the display returns to the "CHANNEL CHECK" indication.

Note

When leaving the original channel unchanged, select "Exit" with Up or Down key and press the Set key. Then, the display returns to the "CHANNEL CHECK" indication.

Step 5. When any other setting is not needed, select "Exit" with the Up or Down key and press the Set key.

The unit returns to the normal operating state.

6.2.6. RF check

Step 1. Adjust the volume control to decrease the volume. (Big noise is output if the unit is placed in RF check mode when no signal is present.)

Step 2. Press the Set key for over a second to place the unit in setting mode.

Step 3. Select the setting item "RF CHECK" with the Up or Down key.

Step 4. Press the Set key to check idle channels by hearing sound.

The receiving antenna alternates between Antenna A and Antenna B with each depression of the Up or Down key.

Step 5. Press the Set key again after check completion.

This exits the RF check mode, and the display returns to the "RF CHECK" indication.

Step 6. When any other setting is not needed, select "Exit" with the Up or Down key and press the Set key.

The unit returns to the normal operating state.

6.2.7. Confirming firmware version

Step 1. Press the Set key for over a second to place the unit in setting mode.

Step 2. Select the setting item "About Model" with the Up or Down key.

Step 3. Press the Set key to display the firmware version.

Step 4. Press the Set key again to exit the firmware display mode.

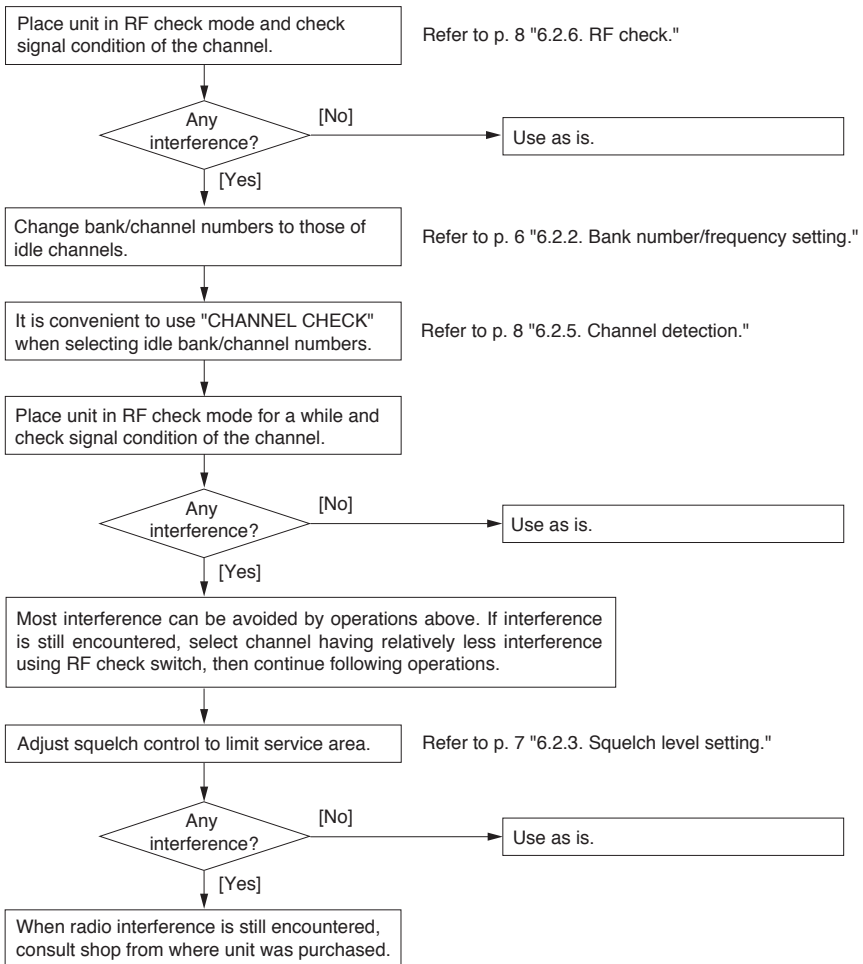
The display returns to the "About Model" indication.

Step 5. When any other setting is not needed, select "Exit" with the Up or Down key and press the Set key.

The unit returns to the normal operating state.

7. HOW TO CHECK AND DEAL WITH INTERFERENCE

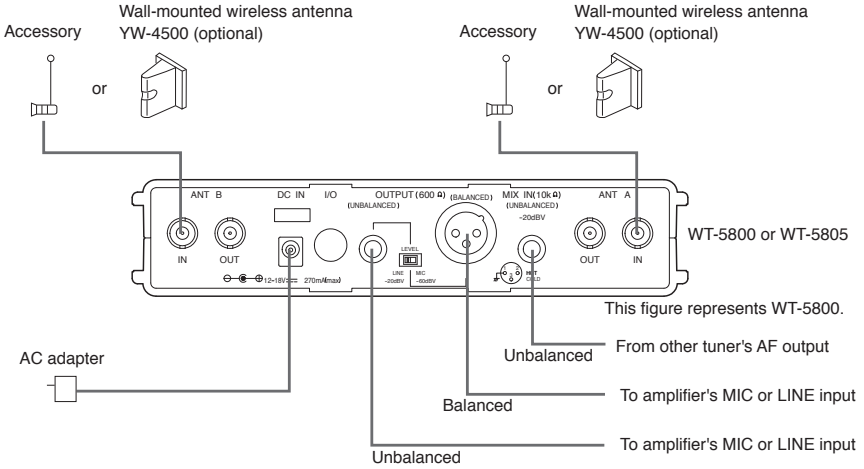
[Order of Actions (Action Flowchart)]



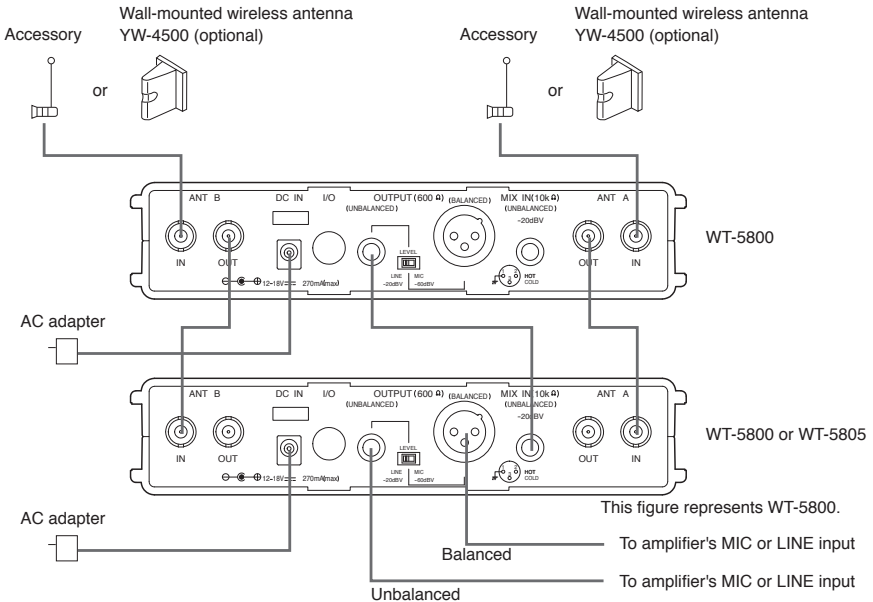
8. CONNECTION EXAMPLES

Be sure to connect at least two receiving antennas (one each for Channels A and B).

[Example 1]

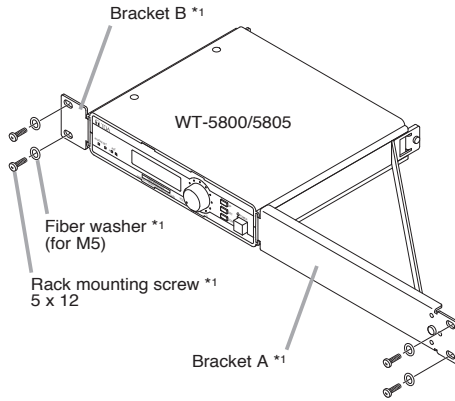


[Example 2]



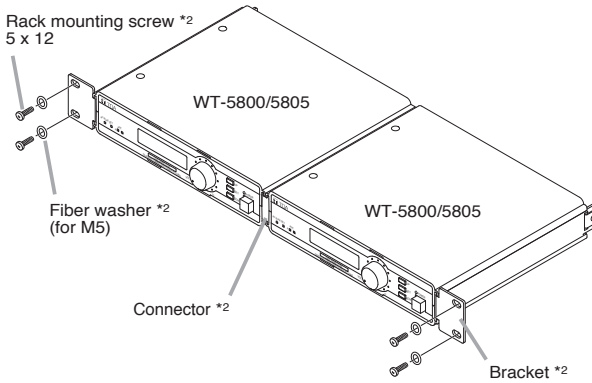
9. RACK MOUNTING

- When mounting one WT-5800/5805 unit, use an optional mounting kit MB-WT3.



*1 Component parts of the MB-WT3.

- When mounting two WT-5800/5805 units, use an optional mounting kit MB-WT4.



*2 Component parts of the MB-WT4.

10. SPECIFICATIONS

Model No.	WT-5800	WT-5805
Power Source	AC mains (Supplied AC adapter must be used)	
Power Consumption	250 mA (12 V DC)	200 mA (12 V DC)
Receiving Frequency	576 – 867 MHz (576 – 606 MHz and 614 – 698 MHz for USA/Canada, 614 – 698 MHz for Brazil, 865 – 867 MHz for India)	
Channel Selectable	64 selectable frequencies	
Receiving System	Double super-heterodyne	
Diversity System	Space diversity (true diversity)	Space diversity
Mixing Output	MIC/LINE (selectable): –60 dB* (MIC)/–20 dB* (LINE), 600 Ω Phone jack (unbalanced), 600 Ω XLR-3-32 type connector (balanced)	
Mixing Input	–20 dB*, 10 kΩ, unbalanced, phone jack	
Antenna Input	75Ω, BNC (phantom powering for antenna), 9 V DC, 30 mA (max)	
Antenna Output	75Ω, BNC (Gain 0 dB)	—
Receiving Sensitivity	90 dB or more, Signal to Noise ratio (20 dBμV input, 40 kHz deviation)	
Squelch Sensitivity	16 – 40 dBμV variable	
Squelch System	Using together of noise SQ, carrier SQ and tone SQ	
Tone Frequency	32.768 kHz	
Indicator	Audio (6 steps), RF (6 steps), ANT A/B, Audio (peak), Battery alarm	
Channel Check	Usable frequencies scanning	
Signal to Noise Ratio	110 dB or more (A-weight, unbalanced output)	
Harmonic Distortion	1% or less (typical)	
Frequency Response	100 Hz – 15 kHz, ±3 dB	
Operating Temperature	–10°C to +50°C (14°F to 122°F)	
Operating Humidity	30 % to 85 %RH	
Finish	Resin, black	
Dimensions	210 (w) x 44 (h) x 205.1 (d) mm (8.27" x 1.73" x 8.07")	
Weight	700 g (1.54 lb)	

* 0 dB = 1 V

Note: The design and specifications are subject to change without notice for improvement.

• Accessories

AC adapter 1

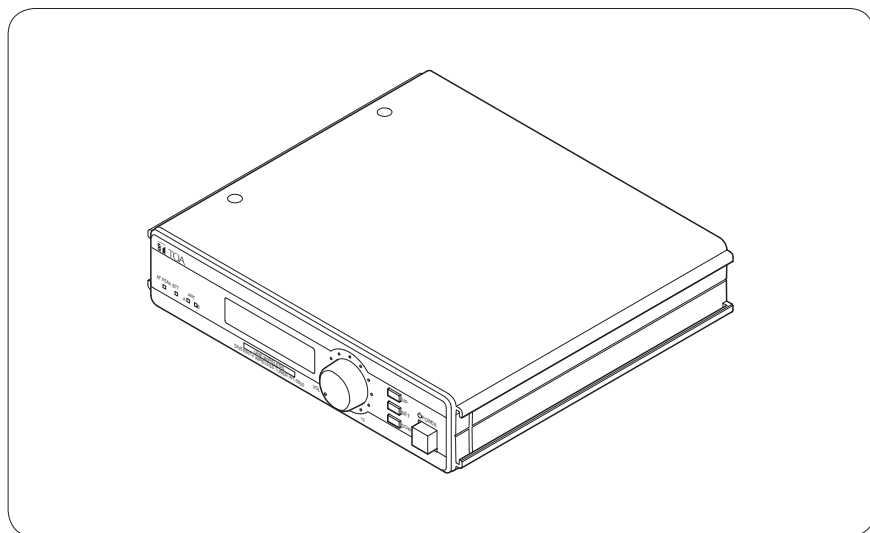
• Optional products

Mounting bracket kit: MB-WT3 (for rack mounting one WT-5800/5805 unit)
MB-WT4 (for rack mounting two WT-5800/5805 units)

DRAHTLOSEMPFÄNGER

WT-5800

WT-5805



INHALTSVERZEICHNIS

1. SICHERHEITSHINWEISE	14	7. MAßNAHMEN BEI STÖRUNGEN	
2. ALLGEMEINE BESCHREIBUNG	14	(ABLAUF DER MASSNAHMEN)	21
3. LEISTUNGSMERKMALE	14	8. ANSCHLUßBEISPIELE	22
4. HINWEISE ZUM BETRIEB	15	9. GESTELLSCHRANKMONTAGE	23
5. BEDIENELEMENTE		10. TECHNISCHE DATEN	24
Vorderseite	15	Zubehör	24
Rückseite	16	Optionales Zubehör	24
6. BETRIEB			
6.1. Inbetriebnahme	17		
6.2. Funktionseinstellungen	17		

Wir danken Ihnen für den Kauf dieses Drahtlosempfängers von TOA.

Beachten Sie bitte stets die Anweisungen in dieser Bedienungsanleitung, um einen langen und störungsfreien Betriebs des Geräts zu gewährleisten.

1. SICHERHEITSHINWEISE

Die folgenden Sicherheits- und Warnhinweise sind zu Ihrem Schutz aufgeführt. Bitte lesen Sie diese sorgfältig durch.



WARNUNG

Zeigt eine potenziell gefährliche Situation auf. Die Nichtbeachtung der Warnhinweise kann zu Verletzungen, möglicherweise auch mit tödlichem Ausgang, führen.

- Das Gerät darf niemals direktem Regen ausgesetzt werden. Aufstellorte, an dem das Gerät mit Wasser oder anderen Flüssigkeiten bespritzt werden kann, sind zu vermeiden. Nicht in feuchten oder staubigen Räumen installieren, nicht direktem Sonnenlicht aussetzen oder in unmittelbarer Umgebung einer Heizung aufstellen.
- Das Gerät darf nur mit der angegebenen Netzspannung betrieben werden.
- Niemals die Kabel knicken, schneiden oder anderweitig beschädigen. Niemals die Kabel in direkter Umgebung einer Heizung verlegen oder schwere Gegenstände darauf stellen.
- Den Stecker niemals mit nassen Händen berühren, da dies einen elektrischen Schlag zur Folge haben kann.
- Niemals am Kabel zerren, um den Stecker aus der Steckdose zu ziehen. Ein dadurch verursachter Kurzschluss kann ein Feuer auslösen oder jemand könnte durch einen elektrischen Schlag verletzt werden.
- Installieren Sie das Gerät in einen Mindestabstand von 5 m zum nächstliegenden Blitzableiter.
- Stellen Sie das Gerät auf eine stabile und tragfähige Unterlage.
- Stellen Sie keine Flüssigkeiten auf dem Gerät ab.
- Stellen Sie keine schweren Gegenstände auf dem Gerät ab.
- Beenden Sie den Betrieb sofort, wenn vom Gerät Rauch oder Brandgeruch ausgeht, Wasser oder ein metallischer Gegenstand eingedrungen sind oder eine Fehlfunktion auftritt (z.B. Tonausfall)
- Service- oder Reparaturarbeiten dürfen nur durch autorisiertes Fachpersonal durchgeführt werden.
- Die Steckdose sollte gut zugänglich in der Nähe des Gerätes installiert sein.
- Bei allen Veränderungen an diesem Gerät, die nicht durch die TOA Corporation gebilligt wurden, erlischt die Garantie.

Die Frequenzen zwischen 865 MHz und 867 MHz sind nicht CE-konform.

2. ALLGEMEINE BESCHREIBUNG

Der WT-5800/5805 ist ein UHF-Empfänger für die TOA Drahtlosmikrofone. Er ist sowohl für Sprach- als auch Gesangsanwendungen konzipiert. Der eingebaute Kompander minimiert den Einfluss von Störgeräuschen.

3. LEISTUNGSMERKMALE

- Der optimierte PLL-stabilisierte Empfänger sorgt für hervorragende Frequenzstabilität auch bei wechselnden Umgebungsbedingungen.
- Mit der eingebauten Suchfunktion werden freie Frequenzen ermittelt und angezeigt.
- Das LCD-Display zeigt die aktuell verwendete Frequenz sowie HF- und Audiosignalpegel an.
- Zwei WT-5800 lassen sich zu einem Zweikanal-System verbinden. Dazu sind die Antenneneingänge auf Ausgangsanschlüsse durchgeschleift (nur für WT-5800) und die entsprechenden Audio-Verbindungen vorgesehen.
- Der WT-5800 ist kompakt aufgebaut und zuverlässig in der Funktion.

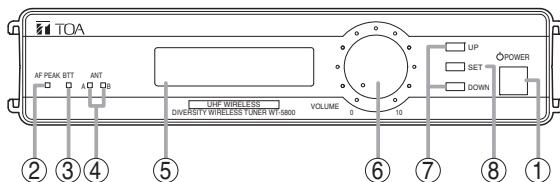
4. HINWEISE ZUM BETRIEB

- Stellen Sie sicher, dass der Empfänger nach Gebrauch wieder ausgeschaltet wird.
- Vermeiden Sie hohe Umgebungstemperaturen für den Empfänger. Beachten Sie dies besonders bei der Montage in Gestellschränken.
- Stellen Sie den Empfänger möglichst weit entfernt von potentiellen HF-Störungsquellen wie z.B. PC's, Leuchtstoffröhren und digitalen Geräten auf.
- Das Mikrofon und der zugeordnete Empfänger müssen auf dieselbe Frequenzbank und denselben Frequenzkanal eingestellt sein. Andernfalls können Störgeräusche auftreten.
- Halten Sie zwischen mehreren Drahtlosmikrofonen einen Mindestabstand von 50 cm ein. Sie vermeiden damit Fehlfunktionen oder Störgeräusche.
- Halten Sie das kabellose Mikrofon mindestens 3 m entfernt von der Empfangsantenne. Wenn das Mikrofon in unmittelbarer Nähe der Antenne verwendet wird, kann dies zu Störgeräuschen oder Funktionsstörungen führen.
- Schließen Sie an jeden Antenneneingang eine Antenne an.

5. BEDIENELEMENTE

[Vorderseite]

Diese Abbildung stellt das Modell WT-5800 dar.



1. Ein/Ausschalter

2. Aussteuerungsanzeige

Diese LED leuchtet bei Übersteuerungsgefahr auf. Sie sollte im Normalbetrieb nur kurzzeitig aufblincken.

3. Batteriewarnanzeige

Diese Anzeige leuchtet auf, wenn die Batteriespannung im entsprechenden Drahtlosmikrofon abfällt.

4. Empfangsanzeigeanzeigen

Entweder Anzeige A (links) oder B (rechts) leuchten gelb auf, sobald der Tuner ein Signal empfängt.

5. LCD-Anzeigefeld

Im normalen Betriebszustand werden hier die Empfangsfrequenzen und die RF/AF-Pegel in 6 Stufen angezeigt.

Im Eingabemodus werden die Einstellungen und die Inhalte an diesem Display angezeigt.

6. Ausgangspegelsteller

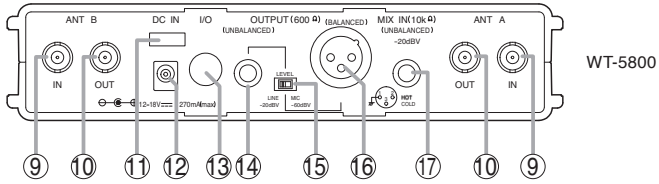
7. Aufwärts-/Abwärtstasten

Diese Tasten dienen zur Wahl der am Display angezeigten Einstellungen.

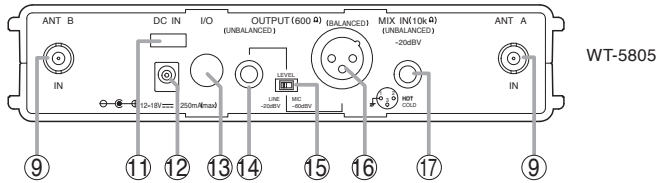
8. Eingabetaste

Durch Drücken dieser Taste im normalen Betriebszustand wird der Eingabemodus aktiviert. Wenn die Eingabetaste im Eingabemodus gedrückt wird, werden die gewählten Einstellungen gespeichert.

[Rückseite]



WT-5800



WT-5805

- 9. Antenneneingang A, B (75 Ω, BNC)**
Schließen Sie hier eine der beiden Empfangsantennen an. Verwenden Sie die mitgelieferten Stabantennen nur bei relativ kleinen Entfernungen und bringen Sie dann eine von Ihnen in einem Winkel von ca. 45° an.
- 10. Antennenausgang A, B für Durchschleifung (nur für WT-5800)**
75 Ω, BNC
- 11. Kabelsicherung**
Befestigen Sie hier das Kabel vom Netzteil.

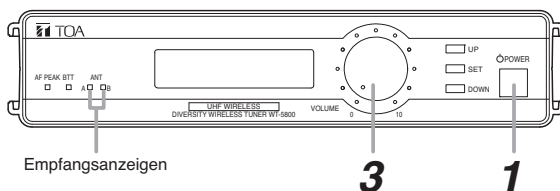
Netz kabel

Zugentlastung
- 12. DC-Eingangsbuchse**
Das Netzkabel des mitgelieferten Netzadapters mit dieser Buchse verbinden.
- 13. I/O-Anschluss**
Dieser Anschluss wird nur für Wartungsarbeiten verwendet.
- 14. Audio-Ausgang**
-20 dB*/-60 dB* wählbar, unsymmetrisch, Klinkenbuchse.
- 15. Regler für Audio-Ausgangspegel**
Stellen Sie den Ausgangspegel des Audiosignals ein, indem Sie MIC (-60 dB*/600 Ω) oder LINE (-20 dB*/600 Ω) auswählen.
- 16. Audio-Ausgang**
-20 dB*/-60dB* wählbar, symmetrisch, XLR-Buchse, männlich (Pin #2 spannungsführend)
- 17. Audio-Eingang**
-20 dB*, 10 kΩ, unsymmetrisch, Klinkenbuchse. Zur Verbindung mit dem Audio-Ausgang eines zweiten Gerätes.

* 0 dB = 1V

6. BETRIEB

6.1 Inbetriebnahme



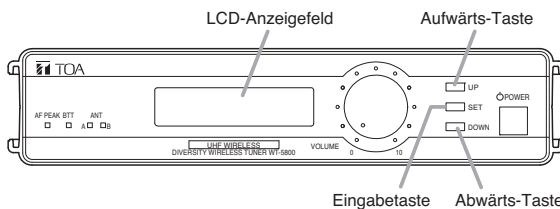
Schritt 1. Die Spannungsversorgung einschalten, worauf am LCD-Anzeigefeld die Empfangsfrequenz und die RF/AF-Pegel angezeigt werden.

Schritt 2. Schalten Sie das Drahtlosmikrofon ein. Die Empfangsanzeigen des WT-5800/5805 müssen dann aufleuchten.

Schritt 3. Stellen Sie den gewünschten Ausgangspegel ein.
Drehen im Uhrzeigersinn erhöht den Ausgangspegel.

6.2. Funktionseinstellungen

[Im Eingabemodus verwendete Tasten]



Im LCD-Anzeigefeld angezeigte Einstellungen

Bei jedem Drücken der Aufwärts-Taste bzw. der Abwärts-Taste (in entgegengesetzter Richtung) erscheinen die nachfolgenden in zyklischer Folge am Display: "SET CHANNEL", "SET BANK", "SET SQ LEVEL", "SET LCD POWER", "CHANNEL CHECK", "RF CHECK", "About Model" und "Exit".

6.2.1. Einstellung des Kanals (Frequenz)

Schritt 1. Die Eingabetaste ungefähr eine Sekunde gedrückt halten, bis die erste Einstellung "SET CHANNEL" am Display erscheint. Das Gerät ist nun in den Eingabemodus geschaltet.

Schritt 2. Die Eingabetaste drücken, worauf am Display der gegenwärtig eingestellte Kanal und die Frequenz mit dem Vorzeichen ">=" angezeigt wird (Beispiel: >=8: 805,000 MHz).

Schritt 3. Den gewünschten Kanal bzw. die Frequenz mit der Aufwärts- oder Abwärts-Taste wählen.
Bei jedem Drücken der Aufwärts- oder Abwärts-Taste schaltet das Display zyklisch durch die Einstellungen.

Schritt 4. Die Eingabetaste drücken, um den gewünschten Kanal zu registrieren.

Damit ist die Eingabe des Kanals abgeschlossen, und das Display schaltet nun auf die "SET CHANNEL"-Anzeige zurück.

Hinweis

Wenn die Original-Einstellung für Kanal unverändert gelassen werden soll, zuerst "Exit" mit der Aufwärts- oder Abwärts-Taste wählen, dann die Eingabetaste drücken. Danach schaltet das Display auf die "SET CHANNEL"-Anzeige zurück.

Schritt 5. Wenn keine andere Einstellung vorgenommen werden soll, "Exit" mit der Aufwärts- oder Abwärts-Taste wählen, dann die Eingabetaste drücken. Danach schaltet das Gerät in den normalen Betriebszustand zurück.

6.2.2. Frequenzbankeinstellung

Schritt 1. Die Eingabetaste ungefähr eine Sekunde gedrückt halten, um das Gerät in den Eingabemodus zu schalten.

Schritt 2. Die Einstellung "SET BANK" mit der Aufwärts- oder Abwärts-Taste wählen.

Schritt 3. Die Eingabetaste noch einmal drücken, worauf am Display die gegenwärtig eingestellte Frequenzbank und die Frequenz mit dem Vorzeichen ">=" angezeigt wird (Beispiel: >=1:7 805,000 MHz).

Schritt 4. Die gewünschte Frequenzbank bzw. die Frequenz mit der Aufwärts- oder Abwärts-Taste wählen. Bei jedem Drücken der Aufwärts- oder Abwärts-Taste schaltet das Display zyklisch durch die Eingabepositionen.

Schritt 5. Die Eingabetaste drücken, um die gewünschte Reihennummer bzw. die Frequenz zu registrieren. Damit ist die Eingabe der Frequenzbank abgeschlossen, und das Display schaltet nun auf die "SET BANK"-Anzeige zurück.

Hinweis

Wenn die Original-Einstellung für Frequenzbank unverändert gelassen werden soll, zuerst "Exit" mit der Aufwärts- oder Abwärts-Taste wählen, dann die Eingabetaste drücken. Danach schaltet das Display auf die "SET BANK"-Anzeige zurück.

Schritt 6. Wenn keine andere Einstellung vorgenommen werden soll, "Exit" mit der Aufwärts- oder Abwärts-Taste wählen, dann die Eingabetaste drücken. Danach schaltet das Gerät in den normalen Betriebszustand zurück.

6.2.3. Einstellung der Rauschsperrung [Squelch]

Der Tuner WT-5800/5805 bietet eine Rauschunterdrückungsfunktion, die Umgebungsgeräusche und Störgeräusche von anderen drahtlosen Mikrofonen fast vollständig unterdrückt, indem das Ausgangssignal stummgeschaltet wird, wenn das empfangene Signal unterhalb eines bestimmten Signalpegels liegt. Die Höhe dieses Pegels kann eingestellt werden.

Schritt 1. Die Eingabetaste ungefähr eine Sekunde gedrückt halten, um das Gerät in den Eingabemodus zu schalten.

Schritt 2. Die Einstellung "SET SQ LEVEL" mit der Aufwärts- oder Abwärts-Taste wählen.

Schritt 3. Die Eingabetaste drücken, worauf die Einstellungsanzeige "RF >" für den Rauschunterdrückungspegel am Display erscheint.

Schritt 4. Die Empfindlichkeit entsprechend der Aussteuerungsanzeige (6 Segmente) mit den Aufwärts- oder Abwärts-Tasten ändern.

Schritt 5. Die Eingabetaste drücken, um den gewählten Wert zu speichern. Damit ist diese Einstellung abgeschlossen, und das Display schaltet nun auf die "SET SQ LEVEL"-Anzeige zurück.

Hinweis

Wenn die Original-Einstellung unverändert gelassen werden soll, zuerst "Exit" mit der Aufwärts- oder Abwärts-Taste wählen, dann die Eingabetaste drücken. Danach schaltet das Display auf die "SET SQ LEVEL"-Anzeige zurück.

Schritt 6. Wenn keine andere Einstellung vorgenommen werden soll, "Exit" mit der Aufwärts- oder Abwärts-Taste wählen, dann die Eingabetaste drücken. Danach schaltet das Gerät in den normalen Betriebszustand zurück.

Die Empfindlichkeit kann auf einer Skala von "0" bis "6" eingestellt werden. Wenn der Pegel "0" gewählt wird, ist die Empfindlichkeit am höchsten; Signale können über eine relativ große Distanz empfangen werden. Wird die Position "6" gewählt, ist die Empfindlichkeit am niedrigsten, und es können nur Signale in Kürzerer Distanz empfangen werden.

Wert im Display	0	1	2	3	4	5	6
Reichweite (%)	100	85	70	50	30	20	15

Hinweis

Die Übertragungsdistanz wird als relatives Verhältnis angegeben, wobei der Pegel "0" einem Wert von 100% entspricht.

6.2.4. Einstellung der LCD-Hintergrundhelligkeit

- Schritt 1.** Die Eingabetaste mindestens eine Sekunde gedrückt halten, um das Gerät in den Eingabemodus zu schalten.
- Schritt 2.** Die Einstellung "SET LCD POWER" mit der Aufwärts- oder Abwärts-Taste wählen.
- Schritt 3.** Die Eingabetaste drücken, worauf das Einstellungs-Display für die Hintergrundhelligkeit am Bildschirm erscheint.
- Schritt 4.** Entweder "HIGH (Hell)" oder "LOW (Dunkel)" mit der Aufwärts- oder Abwärts-Taste wählen.
- Schritt 5.** Die Eingabetaste drücken, um die gewählte Helligkeit zu registrieren.
Damit ist diese Eingabe abgeschlossen, und das Display schaltet nun auf die "SET LCD POWER"-Anzeige zurück.
- Schritt 6.** Wenn keine andere Eingabe erforderlich ist, zuerst "Exit" mit der Aufwärts- oder Abwärts-Taste wählen, dann die Eingabetaste drücken. Danach schaltet das Gerät auf den normalen Betriebszustand zurück.

6.2.5. Ermitteln freier Frequenzkanäle (Scanfunktion)

- Schritt 1.** Die Eingabetaste mindestens eine Sekunde gedrückt halten, um das Gerät in den Eingabemodus zu schalten.
- Schritt 2.** Die Einstellung "CHANNEL CHECK" mit der Aufwärts- oder Abwärts-Taste wählen.
- Schritt 3.** Die Eingabetaste drücken.
Der Kanalsuchlauf beginnt nun, und eine unbelegte Kanalnummer wird zusammen mit der Frequenz am Bildschirm angezeigt.
Wenn zwei oder mehr unbelegte Kanäle vorhanden sind, können diese nacheinander mit der Aufwärts- oder Abwärts-Taste angezeigt werden.
Wenn keine unbelegte Kanalnummer erkannt wird, erscheint "Vacant CHANNEL doesn't exist" am Display.
- Schritt 4.** Die Eingabetaste drücken, um den gewählten Kanal zu registrieren.
Damit wird der Kanalsuchlauf beendet, und das Display kehrt zur Anzeige "CHANNEL CHECK" zurück.
- Hinweis**
Wenn die Original-Einstellung für den Kanal unverändert gelassen werden soll, zuerst "Exit" mit der Aufwärts- oder Abwärts-Taste wählen, dann die Eingabetaste drücken. Danach schaltet das Display auf die "CHANNEL CHECK"-Anzeige zurück.
- Schritt 5.** Wenn keine andere Eingabe erforderlich ist, zuerst "Exit" mit der Aufwärts- oder Abwärts-Taste wählen, dann die Eingabetaste drücken. Danach schaltet das Gerät auf den normalen Betriebszustand zurück.

6.2.6. Überprüfung der HF-Empfangs

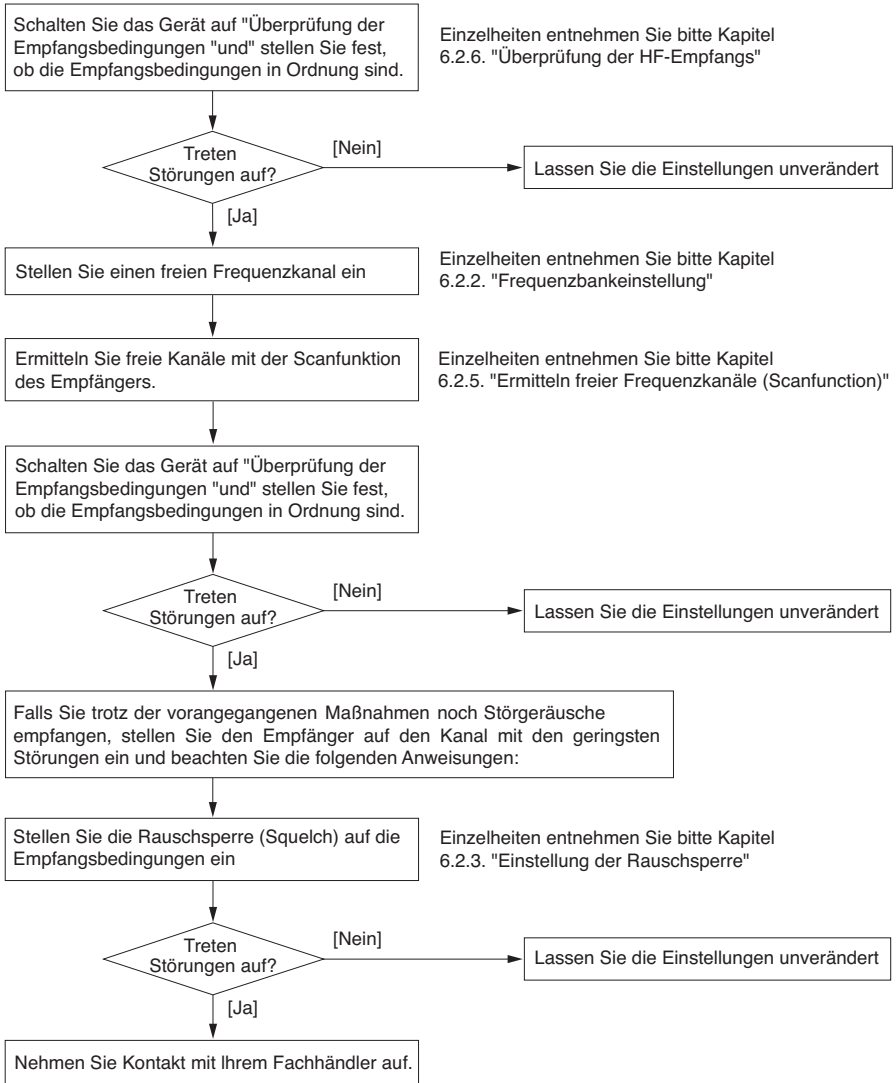
- Schritt 1.** Stellen Sie den Ausgangspegelsteller auf einen niedrigen Pegel ein. (Während der Überprüfung können sehr laute Geräusche auftreten.)
- Schritt 2.** Die Eingabetaste mindestens eine Sekunde gedrückt halten, um das Gerät in den Eingabemodus zu schalten.
- Schritt 3.** Die Einstellung "RF CHECK" mit der Aufwärts- oder Abwärts-Taste wählen.
- Schritt 4.** Die Eingabetaste drücken, um auf akustischen Weg die unbelegten Kanäle anzuzeigen. Durch Drücken der Aufwärts- oder Abwärts-Taste wird der Empfang zwischen Antenne A und Antenne B umgeschaltet.
- Schritt 5.** Nach Ende der Suche die Eingabetaste noch einmal drücken. Dadurch wird der HF-Suchlaufmodus deaktiviert, und das Display schaltet auf die "RF CHECK"-Anzeige zurück.
- Schritt 6.** Wenn keine andere Eingabe erforderlich ist, zuerst "Exit" mit der Aufwärts- oder Abwärts-Taste wählen, dann die Eingabetaste drücken. Danach schaltet das Gerät auf den normalen Betriebszustand zurück.

6.2.7. Überprüfung der Firmware-Version

- Schritt 1.** Die Eingabetaste mindestens eine Sekunde gedrückt halten, um das Gerät in den Eingabemodus zu schalten.
- Schritt 2.** Die Einstellung "About Model" mit der Aufwärts- oder Abwärts-Taste wählen.
- Schritt 3.** Die Eingabetaste drücken, um die Firmware-Version anzuzeigen.
- Schritt 4.** Die Eingabetaste noch einmal drücken, um den Firmware-Anzeigemodus zu verlassen. Das Display kehrt nun zur "About Model"-Anzeige zurück.
- Schritt 5.** Wenn keine andere Eingabe erforderlich ist, zuerst "Exit" mit der Aufwärts- oder Abwärts-Taste wählen, dann die Eingabetaste drücken. Danach schaltet das Gerät auf den normalen Betriebszustand zurück.

7. MAßNAHMEN BEI STÖRUNGEN (ABLAUF DER MAßNAHMEN)

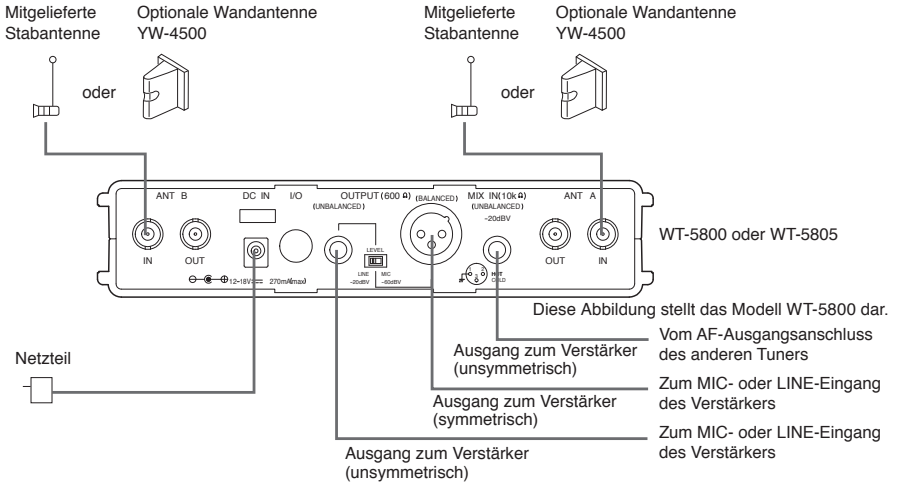
[Ablaufdiagramm]



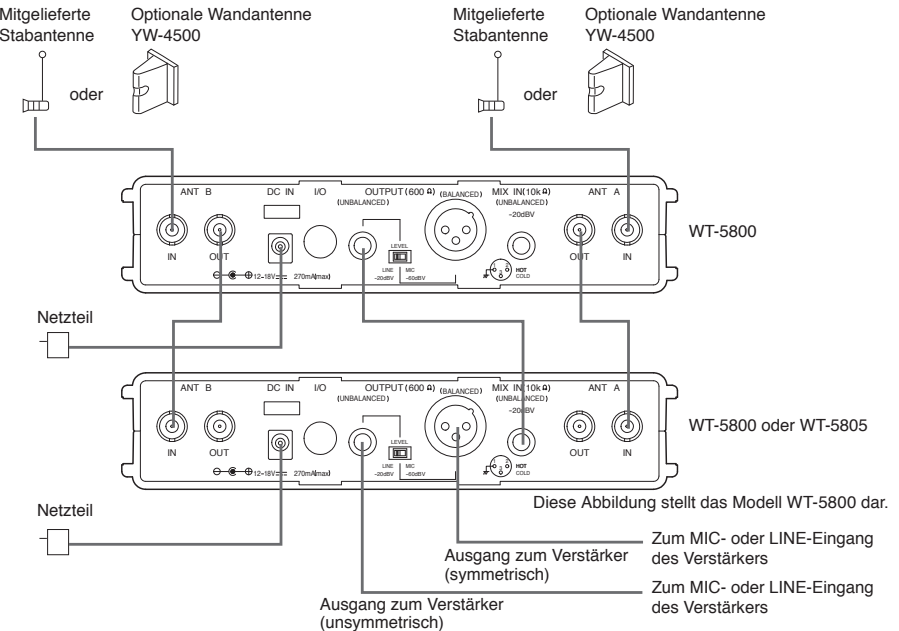
8. ANSCHLUSSBEISPIELE

Stellen Sie sicher, dass beide Antenneneingänge mit Antennen verbunden sind.

[Beispiel 1]

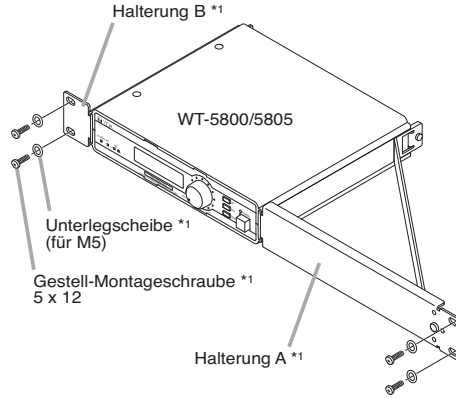


[Beispiel 2]



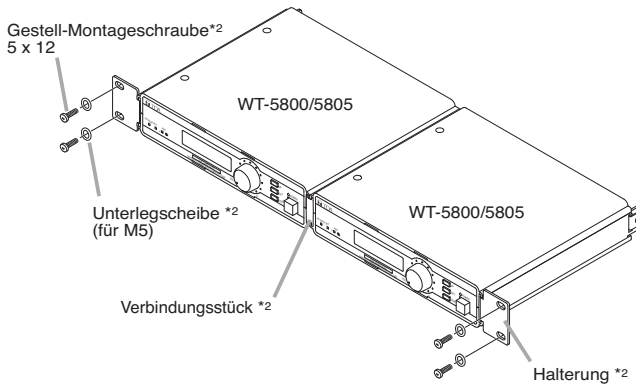
9. GESTELLSCHRANKMONTAGE

- Für die Montage eines Empfängers WT-5800/5805 benötigen Sie den optional erhältlichen Einbausatz MB-WT3.



*1 Im Lieferumfang des MB-WT3

- Für die Montage von zwei Empfängern WT-5800/5805 benötigen Sie den optional erhältlichen Einbausatz MB-WT4.



*2 Im Lieferumfang des MB-WT4

10. TECHNISCHE DATEN

Modell	WT-5800	WT-5805
Stromversorgung	Durch mitgeliefertes Steckernetzteil	
Stromaufnahme	250 mA (12 V)	200 mA (12 V)
Empfangsfrequenzen	576 – 867 MHz (576 – 606 MHz und 614 – 698 MHz für USA/Kanada, 614 – 698 MHz für Brasilien, 865 – 867 MHz für Indien)	
Verfügbare Kanäle	64 Frequenzen	
Empfangssystem	Doppel – Superheterodyn	
Diversity – System	Space Diversity (True Diversity)	Space Diversity
NF – Ausgang	MIC/LINE (wählbar): 60 dB*(MIC)/20 dB*(LINE), 600 Ω Klinkenbuchse (unsymmetrisch), XLR-3-32 Buchse (symmetrisch)	
NF – Eingang	–20 dB*, 10 kΩ, unsymmetrisch, Klinkenbuchse	
Antenneneingang	75 Ω, Phantomspeisung 9 V, 30 mA max. für Antenne	
Antennenausgang	75 Ω, (0 dB Gain)	—
Empfangsempfindlichkeit	Besser als 90 dB, Signal/Rauschabstand (20 dB μ V Eingangssignal mit 40 kHz Hub)	
Rauschsperr (Squelch)	Einstellbar 16 – 40 dB μ V	
Squelch-System	Kombination von Kennton-Squelch, Träger-Squelch, und Rausch-Squelch	
Kenntonfrequenz	32768 Hz	
Anzeige	NF-Signal (6 stufig), NF-Spitze (6 stufig), Antennenindikator A und B, Aussteuerungsanzeige, Batteriewarnanzeige	
Scanfunktion	Vorhanden	
Rauschabstand	Besser als 110 dB (A-gewichtet, unsymmetrischer Ausgang)	
Klirrfaktor	Unter 1% (Regelwert)	
Übertragungsbereich	100 Hz – 15 kHz, \pm 3 dB	
Umgebungstemperatur	–10°C bis +50°C	
Betriebsfeuchtigkeit	30 % bis 85 % rel.	
Ausführung	Kunstharz, Schwarz	
Abmessungen	210 (B) x 44 (H) x 205,1 (T) mm	
Gewicht	700 g	

* 0 dB = 1 V

Anmerkung: Änderung der technischen Daten ohne Vorankündigung vorbehalten

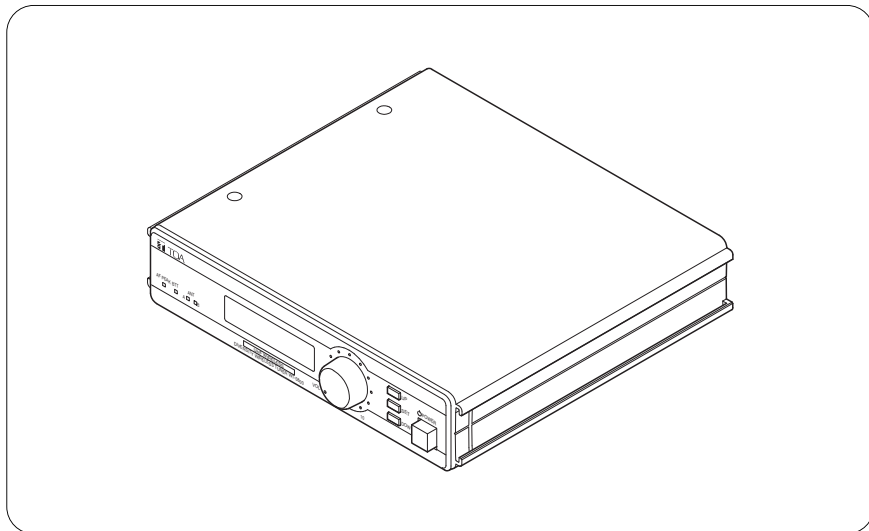
• Zubehör

Netzteil 1

• Optionales Zubehör

Einbausatz für Gestellmontage: MB-WT3 für einen WT-5800/5805

MB-WT4 für zwei WT-5800/5805

TUNER SANS FIL
WT-5800
WT-5805

SOMMAIRE

1. CONSEILS DE SECURITE	26	7. COMMENT VERIFIER ET TRAITER LES INTERFERENCES	33
2. GENERAL DESCRIPTION GENERALE ..	27	8. EXEMPLES DE CONNEXIONS	34
3. CARACTERISTIQUES	27	9. MONTAGE RACK	35
4. PRECAUTIONS D'USAGE	28	10. SPECIFICATIONS	36
5. NOMENCLATURE ET FONCTIONS		Accessoires	36
Face avant	28	Options	36
Face arrière	29		
6. FONCTIONNEMENT			
6.1. Fonctionnement de base	29		
6.2. Réglages des fonctions	30		

Merci pour votre achat du Tuner Sans Fil TOA.

Veuillez lire attentivement les instructions suivantes dans ce manuel pour assurer un usage prolongé de votre équipement exempt de difficulté.

1. CONSEILS DE SECURITE

- Lisez attentivement les instructions ci-dessous avant toute utilisation.
- Suivez les recommandations signalées par les symboles de sécurité. elles contiennent des informations très importantes.
- Nous vous recommandons aussi de la conserver toujours en tant que notice de référence.

Symboles de sécurité et conventions

Les symboles et messages de sécurité décrits ci-dessous sont utilisés dans cette notice pour prévenir tout dommage corporel ou matériel pouvant résulter d'une mauvaise utilisation. Lisez attentivement cette notice pour comprendre parfaitement les symboles et messages de sécurité pour prévenir tout risque éventuel.



AVERTISSEMENT

Indique une situation risquant d'entraîner des blessures sérieuses, voire la mort.

Lors de l'installation de l'appareil

- Ne pas exposer l'appareil à la pluie et le protéger de tout contact avec des liquides afin d'éviter tout risque d'incendie ou de choc électrique.
- Utiliser l'appareil uniquement avec le voltage spécifié sur l'appareil. L'utilisation de l'appareil avec un voltage supérieur à celui spécifié peut entraîner un début d'incendie ou un choc électrique.
- Ne pas sectionner, tordre ou modifier le câble d'alimentation. Eviter également d'utiliser le câble à proximité d'un radiateur. Ne pas poser d'objets lourds sur le câble, ni même l'appareil afin d'éviter tout risque d'incendie ou de choc électrique.
- Eviter l'installation ou le montage de l'appareil dans des endroits instables (table branlante ou surface en pente) afin d'éviter toute chute de l'appareil qui pourrait entraîner des blessures ou des dommages matériels.
- Afin de protéger l'appareil contre la foudre, l'installer à 5 mètres au moins d'un paratonnerre, néanmoins dans son champ de protection (angle de 45°) du conducteur de foudre. La foudre peut entraîner un incendie, un choc électrique ou blessures.
- Ne pas installer l'appareil à l'extérieur, l'appareil étant conçu pour l'utilisation à l'intérieur. En cas d'installation à l'extérieur, le vieillissement des pièces peut entraîner une panne et provoquer des blessures. La pluie représente un danger de choc électrique.

Lors de l'utilisation de l'appareil

- En cas de problème comme ci-dessous durant l'utilisation, éteindre immédiatement l'appareil et débrancher la prise d'alimentation du secteur et contacter votre représentant TOA le plus proche. Ne pas essayer de faire fonctionner l'appareil dans ces conditions afin d'éviter tout risque d'incendie ou de choc électrique.
 - Si vous détectez de la fumée ou si vous sentez une odeur inhabituelle provenant de l'appareil.
 - Si de l'eau ou un objet métallique s'introduit dans l'appareil
 - Si l'appareil tombe ou si le boîtier se trouve cassé
 - Si le câble d'alimentation est endommagé (fil dénudé, faux-contact, etc.)
 - Si l'appareil présente un mauvais fonctionnement (absence de sons.)
- Ne placer ni tasses, verres ou autres récipients contenant du liquide, ni objets métalliques sur l'appareil. Tout déversement sur l'appareil représente un risque d'incendie ou de choc électrique.
- Ne pas toucher à une prise ou à l'antenne lors d'un orage pour éviter tout risque d'électrocution.



ATTENTION

Indique une situation risquant d'entraîner des blessures moyennement graves ou mineures, et/ou des dommages matériels.

Lors de l'installation de l'appareil

- Ne jamais brancher ou débrancher l'appareil avec les mains mouillées afin d'éviter tout risque d'électrocution.

- Si vous débrancher le cordon secteur, le tenir par la prise et non par le cordon lui-même. L'utilisation de l'appareil avec un cordon défectueux peut provoquer un incendie ou un choc électrique.
- Si vous déplacez l'appareil, assurez-vous de débrancher d'abord le cordon d'alimentation de la prise murale. Tout déplacement de l'appareil encore relié à sa prise secteur peut causer des dommages d'incendie ou de choc électrique. Si vous débrancher l'appareil, veuillez à tirer le cordon par sa prise.
- La prise de courant devra être installée près de l'équipement et facilement accessible.
- Évitez d'installer l'appareil dans des endroits humides ou poussiéreux et ne pas l'exposer directement à une source de chaleur (soleil, radiateurs etc ...) ou tout autre emplacement générant de la fumée ou de la vapeur pouvant causer des risques d'incendie ou de choc électrique.
- Laisser le soin à votre revendeur TOA de procéder à l'installation de votre antenne qui exige les connaissances d'un expert. La chute d'une antenne peut entraîner des dommages corporels.

Lors de l'utilisation de l'appareil

- Ne pas placer d'objets lourds sur l'appareil qui pourraient entraîner sa chute et causer des blessures corporelles et/ou des dommages matériels. De plus, l'objet lui-même pourrait causer des blessures physiques et/ou des dommages matériels.
- Assurez-vous que le bouton du volume soit réglé au minimum avant de mettre en marche votre appareil. Le son produit en volume maximum peut altérer votre audition.
- Ne jamais tenter d'ouvrir le boîtier de votre appareil celui-ci contenant des composants à haute température qui peuvent provoquer de graves brûlures. Pour toute réparation veuillez vous adresser à votre revendeur TOA le plus proche.
- Utilisez uniquement l'adaptateur AC conçu pour votre appareil. L'utilisation d'un autre adaptateur peut entraîner un risque d'incendie.
- L'accumulation de poussière sur la prise de l'appareil ou dans la prise secteur peut provoquer un incendie. Nettoyez-les régulièrement. Branchez avec précaution votre appareil à sa prise secteur.
- Pour des raisons de sécurité, toujours éteindre votre appareil et le débrancher lorsque vous le nettoyez ou en cas de non-utilisation pendant 10 jours ou plus. Cela pourrait provoquer des risques d'incendie et de choc électrique.
- Toute modification apportée à ce dispositif n'étant pas approuvée par TOA Corporation peut annuler la licence consentie à l'utilisateur pour utiliser cet équipement.
- Le terme "IC:" avant un numéro de certification radio signifie seulement que les spécifications techniques de Industry Canada répondent aux exigences demandées. Le fonctionnement est sujet aux deux conditions suivantes:
 - (1) ce dispositif peut ne pas provoquer d'interférence, et
 - (2) ce dispositif doit accepter n'importe quelle interférence, comprenant des interférences qui peuvent provoquer un fonctionnement non souhaité de ce dispositif.

Les fréquences comprises entre 865 MHz et 867 MHz ne sont pas conformes CE.

2. GENERAL DESCRIPTION GENERALE

Le tuner sans fil WT-5800/5805 est prévu pour l'utilisation sur la bande UHF, pour les applications de chant et de la parole. Il est équipé d'un circuit de compression-expansion pour minimiser l'incidence du bruit ambiant.

3. CARACTERISTIQUES

- Un synthétiseur PLL optimisé réduit de façon importante la dérive de la fréquence des oscillations due aux fluctuations de la température ambiante ou de la tension
- La fonction Scan indique les canaux disponibles. Elle est pratique lors du changement de fréquence.
- L'écran LCD indique la fréquence de fonctionnement en cours ainsi que les niveaux RF et AF.
- Les sorties de distribution d'antennes (WT-5800 seulement) et les entrées audio en cascade facilitent le raccordement d'un autre appareil pour former un système de canaux double.
- Taille compacte et grande fiabilité.

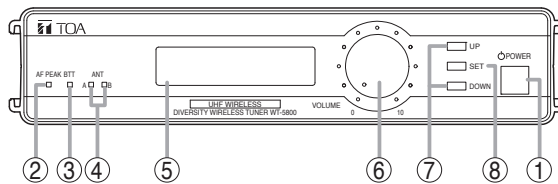
4. PRECAUTIONS D'USAGE

- S'assurer que le commutateur est bien sur la position OFF après utilisation.
- Pour le montage en rack de l'appareil, sélectionner la position n'exposant pas l'appareil à des températures élevées.
- Lors de l'installation, tenez-l'appareil, le plus possible à l'écart des lampes fluorescentes, des appareils numériques, des ordinateurs et autres matériels générant du bruit haute fréquence.
- Seuls les mêmes systèmes de banque sans fil peuvent être utilisés en un même lieu. Eviter d'utiliser ces systèmes combinés avec d'autres ayant des banques différentes pour éviter interférences et bruits.
- Les tuners sans fil devant être installés en un même lieu doivent avoir un numéro de canal différent. Réglés sur le même canal entraînerait du bruit. Les microphones sans fil doivent avoir les mêmes numéros de banque et de canal que les tuners.
- En cas d'utilisation de deux microphones ou plus, Maintenez-les au moins à 50 cm de distance les uns des autres pour éviter tout dysfonctionnement ou bruit.
- Maintenez une distance d'au moins 3 m entre le microphone et l'antenne de réception. L'utilisation du microphone à proximité de l'antenne peut engendrer des dysfonctionnements ou du bruit.
- S'assurer que deux antennes de réception sont reliées (une pour chacun des canaux A et B).

5. NOMENCLATURE ET FONCTIONS

[Face avant]

Cette figure représente le WT-5800.



1. Bouton marche/arrêt

Presser ce commutateur pour mettre sous-tension, puis encore une fois pour couper l'alimentation.

2. Témoin de pointe AF

S'allume lorsque le niveau de sortie atteint environ 3 dB en dessous du niveau de saturation.

3. Voyant d'alarme de pile

S'allume quand la tension de pile du microphone sans fil correspondant devient trop faible.

4. Voyant de réception

Soit le voyant de A (gauche) ou de B (droit) s'allume jaune quand le tuner reçoit un signal radio.

5. Ecran LCD

Affiche la fréquence de réception et les niveaux RF/AF en 6 étapes lorsque l'appareil fonctionne normalement.

Au mode de réglage, l'écran affiche les éléments de réglage et leurs valeurs.

6. Commande du volume

Permet de régler le niveau de sortie.

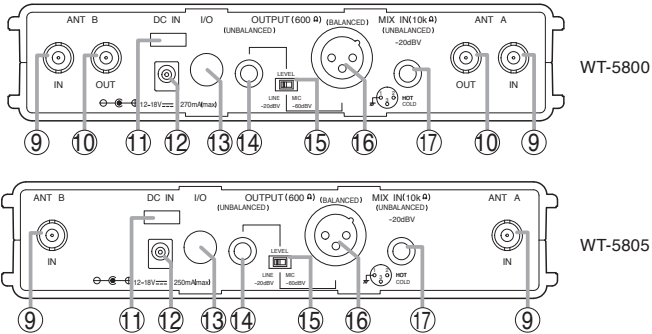
7. Touches Up/Down

Sélectionnent les éléments de réglage sur l'écran.

8. Touche Set

Dispose l'appareil au mode de réglage en appuyant dessus en fonctionnement normal. Au mode de réglage, si l'on presse la touche Set, cela détermine l'élément de réglage sélectionné et enregistre sa valeur.

[Face arrière]



9. Entrée d'antenne A, B

Entrée: 75 Ω, BNC Pour le système sans fil couvrant une surface relativement faible, utiliser les deux fous fournis, en montant l'un à un angle de 45° vers l'extérieur par rapport à la verticale.

10. Sortie de distribution d'antenne A, B (WT-5800 seulement)

75 Ω, BNC

11. Crochet pour câble

Accrocher le câble d'alimentation au crochet.

Câble d'alimentation



Crochet pour câble

12. Prise d'entrée CC

Connecte le câble d'alimentation de l'adaptateur CA fourni à cette prise.

13. Port I/O

Sert uniquement pour l'entretien.

14. Sortie AF

-20 dB*/-60 dB* sélectionnable, asymétrique, jack phone.

15. Sélecteur de niveau de sortie AF

Régler le niveau de sortie des sorties AF en sélectionnant soit MIC (-60 dB*/600 Ω) ou LINE (-20 dB*/600 Ω).

16. Sortie AF

-20 dB*/-60 dB* sélectionnable, symétrique, connecteur XLR, type mâle (ergot Non. 2: Chaud)

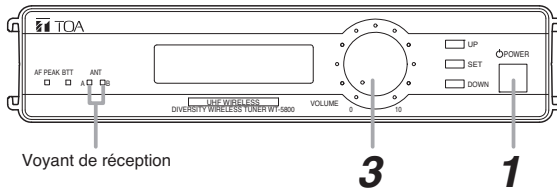
17. Entrée de mixage AF

-20 dB*, 10 kΩ, asymétrique, jack phone. Raccorder à la sortie AF des autres unités.

* 0 dB = 1 V

6. FONCTIONNEMENT

6.1. Fonctionnement de base



Voyant de réception

3

1

Etape 1. Mettre sous tension, puis l'écran LCD affiche la fréquence de réception et les niveaux RF/AF.

Etape 2. Mettre le bouton du microphone sur ON.

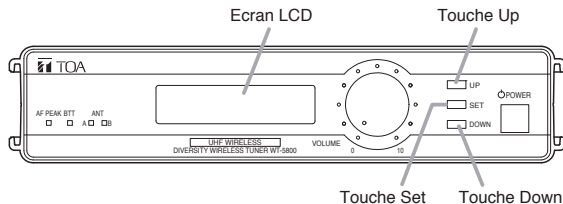
Le témoin de réception s'allume lorsque le tuner reçoit le même signal de fréquence.

Etape 3. Régler le volume.

On augmente le niveau de sortie en tournant le bouton dans le sens des aiguilles d'une montre et inversement.

6.2. Réglages des fonctions

[Touches utilisées au mode de réglage]



Éléments de réglage affichés sur l'écran LCD

L'affichage recycle les indications "SET CHANNEL", "SET BANK", "SET SQ LEVEL", "SET LCD POWER", "CHANNEL CHECK", "RF CHECK", "About Model" et "Exit" à chaque fois qu'on appuie sur la touche Up, ou sur la touche Down pour l'action en sens inverse.

6.2.1. Réglage de canal (fréquence)

Etape 1. Presser la touche Set pendant une seconde environ jusqu'à ce que l'écran affiche l'élément de premier réglage "SET CHANNEL". L'appareil passe alors au mode de réglage.

Etape 2. Presser la touche Set, puis l'écran affiche alors le canal de réglage en cours ainsi que la fréquence avec l'indication à préfixe ">=". (Exemple : >=8: 805,000 MHz)

Etape 3. Sélectionner le canal/fréquence désiré(e) avec la touche Up ou la touche Down.

Etape 4. Presser la touche Set pour consigner le canal/fréquence sélectionné(e)
Cela termine le réglage de canal (fréquence), puis l'affichage retourne à l'indication "SET CHANNEL".

Note

Pour conserver le réglage d'origine de canal/fréquence, sélectionner "Exit" avec la touche Up ou Down, puis presser la touche Set. Ensuite, l'affichage retourne à l'indication "SET CHANNEL".

Etape 5. Si aucun autre réglage n'est requis, sélectionner "Exit" avec la touche Up ou Down, puis presser la touche Set.
L'appareil retourne alors à l'état de fonctionnement normal.

6.2.2. Réglage du numéro de registre/fréquence

Etape 1. Presser la touche Set pendant plus d'une seconde pour disposer l'appareil au mode de réglage.

Etape 2. Sélectionner l'élément de réglage "SET BANK" avec la touche Up ou Down.

Etape 3. Presser à nouveau la touche Set, puis l'écran affiche le numéro de registre en cours de réglage ainsi que la fréquence avec l'indication à préfixe ">=". (Exemple : >=1:7 805,000 MHz)

Etape 4. Sélectionner le numéro de registre/fréquence désiré(e) avec la touche Up ou Down.
L'affichage recycle les indications à chaque fois qu'on appuie sur la touche Up ou Down.

Etape 5. Presser la touche Set pour consigner le numéro de registre/fréquence sélectionné(e).
Cela termine le réglage du numéro de registre/fréquence, puis l'affichage retourne à l'indication "SET BANK".

Note

Pour conserver le réglage d'origine du numéro de registre/fréquence, sélectionner "Exit" avec la touche Up ou Down, puis presser la touche Set. Ensuite, l'affichage retourne à l'indication "SET BANK".

Etape 6. Si aucun autre réglage n'est requis, sélectionner "Exit" avec la touche Up ou Down, puis presser la touche Set.
L'appareil retourne alors à l'état de fonctionnement normal.

6.2.3. Réglage du niveau de squelch

Le tuner WT-5800/5805 est doté d'une fonction de silence qui élimine virtuellement le bruit ambiant et les signaux audio indésirables provenant d'autres systèmes de microphones sans fil, en réduisant la sortie lorsque le signal reçu est inférieur à un certain niveau d'intensité du signal. Ce niveau peut être réglé à l'aide de la commande squelch.

Etape 1. Presser la touche Set pendant plus d'une seconde pour disposer l'appareil au mode de réglage.

Etape 2. Sélectionner l'élément de réglage "SET SQ LEVEL" avec la touche Up ou Down.

Etape 3. Presser la touche Set, puis l'affichage du réglage de niveau de silencieux "RF >" apparaît sur l'écran.

Etape 4. Régler le niveau de silencieux en se référant à l'indicateur de barre-graphique sur l'écran (6 segments) pouvant se modifier avec la touche Up ou Down.

Etape 5. Presser la touche Set pour consigner la valeur sélectionnée.

Cela termine le réglage du niveau de silencieux, puis l'affichage retourne à l'indication "SET SQ LEVEL".

Note

Pour conserver la valeur du réglage d'origine, sélectionner "Exit" avec la touche Up ou Down, puis presser la touche Set. Ensuite, l'affichage retourne à l'indication "SET SQ LEVEL".

Etape 6. Si aucun autre réglage n'est requis, sélectionner "Exit" avec la touche Up ou Down, puis presser la touche Set.

L'appareil retourne alors à l'état de fonctionnement normal.

Le niveau de silencieux varie de "0" à "6". La sensibilité du tuner sans fil est la plus élevée et les signaux radio peuvent être reçus dans des zones étendues lorsqu'on sélectionne le niveau "0", tandis que le niveau "6" donne la sensibilité la plus faible, limitant ainsi la réception du signal seulement dans les zones étroites.

La distance de transmission de signal du microphone sans fil est fortement liée aux conditions ambiantes.

Le tableau ci-dessous donne des indications sur le rapport commande squelch/distance de transmission.

Niveau de squelch	0	1	2	3	4	5	6
Distance transmission (%)	100	85	70	50	30	20	15

Note: La distance de transmission est une grandeur relative basée sur le taux de 100% au niveau "0".

Conseils

- Positionner la commande sur "0" dans les lieux exempts d'interférences.
- Mettre la commande sur la position qui n'entraîne pas de perte de réception des signaux du microphone sans fil.

6.2.4. Réglage de luminosité de rétroéclairage LCD

Etape 1. Presser la touche Set pendant plus d'une seconde pour amener l'appareil au mode de réglage.

Etape 2. Sélectionner l'élément de réglage "SET LCD POWER" avec la touche Up ou Down.

Etape 3. Presser la touche Set, et l'affichage du réglage de luminosité apparaît sur l'écran.

Etape 4. Sélectionner soit "HIGH (Lumineux)" ou "LOW (Sombre)" avec la touche Up ou Down.

Etape 5. Presser la touche Set pour consigner le niveau de luminosité sélectionné.

Cela termine le réglage de luminosité, puis l'affichage retourne à l'indication "SET LCD POWER".

Etape 6. Si aucun autre réglage n'est requis, sélectionner "Exit" avec la touche Up ou Down, puis presser la touche Set.

L'appareil retourne alors à l'état de fonctionnement normal.

6.2.5. Détection de canaux

Etape 1. Presser la touche Set pendant plus d'une seconde pour amener l'appareil au mode de réglage.

Etape 2. Sélectionner l'élément de réglage "CHANNEL CHECK" avec la touche Up ou Down.

Etape 3. Presser la touche Set.

La détection de canal commence, puis un numéro de canal inactif avec la fréquence apparaît sur l'écran d'affichage.

Si deux ou plusieurs autres canaux inactifs existent, chacun d'eux peut être affiché dans l'ordre avec la touche Up ou Down.

Si aucun canal inactif n'est détecté, l'indication "Vacant CHANNEL doesn't exist" sera affichée.

Etape 4. Presser la touche Set pour consigner le canal sélectionné.

Cela termine la détection de canal, puis l'affichage retourne à l'indication "CHANNEL CHECK".

Note

Pour conserver le réglage d'origine de canal, sélectionner "Exit" avec la touche Up ou Down, puis presser la touche Set. Ensuite, l'affichage retourne à l'indication "CHANNEL CHECK".

Etape 5. Si aucun autre réglage n'est requis, sélectionner "Exit" avec la touche Up ou Down, puis presser la touche Set.

L'appareil retourne alors à l'état de fonctionnement normal.

6.2.6. Contrôle RF

Etape 1. Régler la commande du volume pour le réduire. (Bruit important en sortie lorsque l'appareil est mis sur le mode de contrôle RF en l'absence de signal).

Etape 2. Presser la touche Set pendant plus d'une seconde pour amener l'appareil au mode de réglage.

Etape 3. Sélectionner l'élément de réglage "RF CHECK" avec la touche Up ou Down.

Etape 4. Presser la touche Set pour vérifier les canaux inactifs en écoutant le son.

L'antenne de réception alterne entre Antenne A et Antenne B à chaque pression sur la touche Up ou Down.

Etape 5. Presser à nouveau la touche Set à l'issue de la vérification.

Cela permet de sortir du mode de vérification RF, puis l'affichage retourne à l'indication "RF CHECK".

Etape 6. Si aucun autre réglage n'est requis, sélectionner "Exit" avec la touche Up ou Down, puis presser la touche Set.

L'appareil retourne alors à l'état de fonctionnement normal.

6.2.7. Confirmation de la version du micrologiciel

Etape 1. Presser la touche Set pendant plus d'une seconde pour amener l'appareil au mode de réglage.

Etape 2. Sélectionner l'élément de réglage "About Model" avec la touche Up ou Down.

Etape 3. Presser la touche Set pour afficher la version du micrologiciel.

Etape 4. Presser à nouveau la touche Set pour sortir du mode d'affichage du micrologiciel.

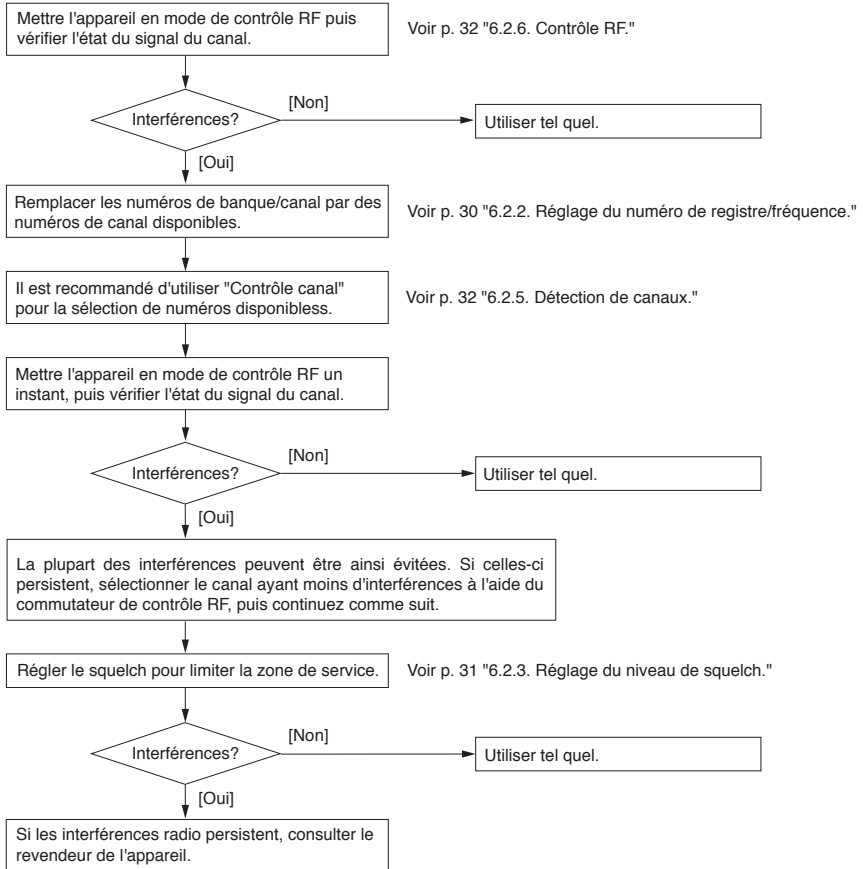
L'affichage retourne alors à l'indication "About Model".

Etape 5. Si aucun autre réglage n'est requis, sélectionner "Exit" avec la touche Up ou Down, puis presser la touche Set.

L'appareil retourne alors à l'état de fonctionnement normal.

7. COMMENT VERIFIER ET TRAITER LES INTERFERENCES

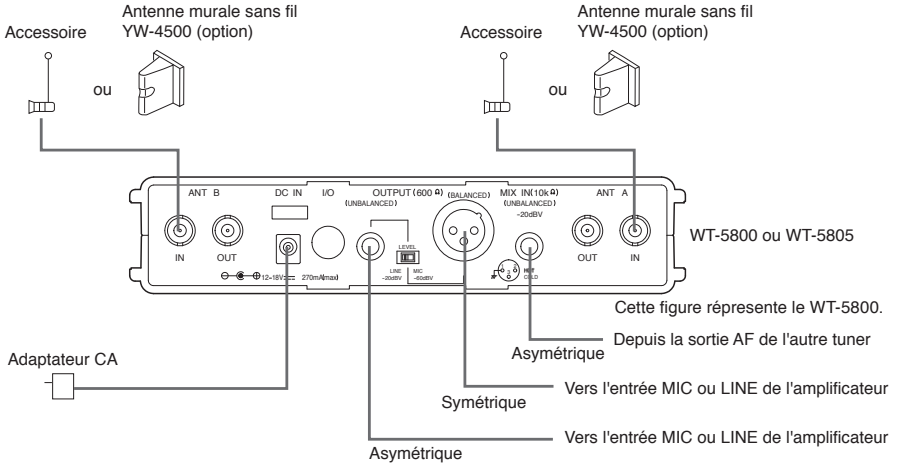
[Chronologie des actions (Synopsis)]



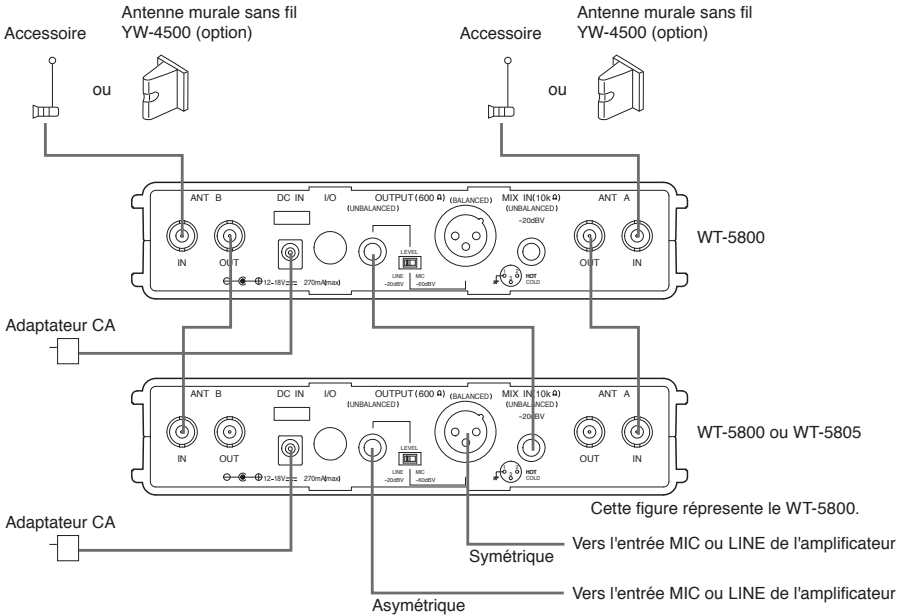
8. EXEMPLES DE CONNEXIONS

S'assurer que deux antennes au moins sont branchées (une pour chacun des canaux A et B).

[Exemple 1.]

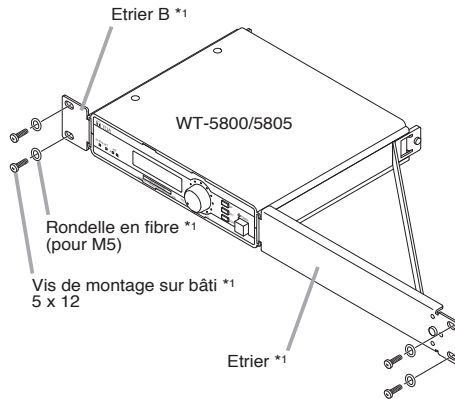


[Exemple 2]



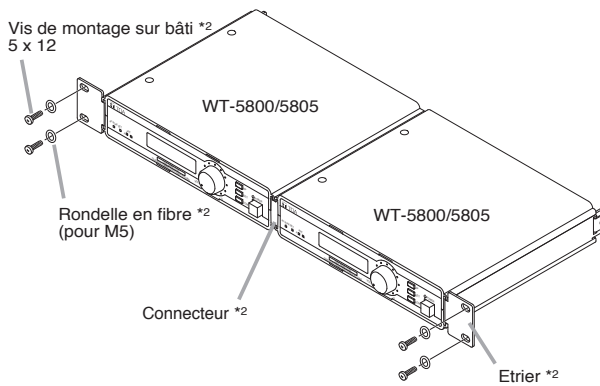
9. MONTAGE RACK

- Pour le montage d'un appareil WT-5800/5805, utiliser le kit MB-WT3 (option).



*1 Pièces composantes du système MB-WT3

- Pour le montage de deux appareils WT-5800/5805, utiliser le kit MB-WT4 (option).



*2 Pièces composantes du système MB-WT4

10. SPECIFICATIONS

N° de modèle	WT-5800	WT-5805
Alimentation	Secteur CA (l'adaptateur CA fourni doit être utilisé)	
Puissance	250 mA (12 V CC)	200 mA (12 V CC)
Fréquence de réception	De 576 à 867 MHz (de 576 à 606 MHz et de 614 à 698 MHz pour les USA/Canada, de 614 à 698 MHz pour le Brésil, de 865 à 867 MHz pour l'Inde)	
Sélection de canal	64 fréquences	
Système de réception	Superhétérodyne double	
Système diversité	Diversité espace (diversité vraie)	Diversité espace
Sortie de mixage	MIC/LINE: -60 dB* (MIC)/-20 dB* (LINE) sélectionnable, 600 Ω Jack phone (asymétrique), connecteur de type XLR-3-32 (symétrique)	
Entrée de mixage	-20 dB*, 10 kΩ, asymétrique, jack phone	
Entrée antenne	75 Ω, BNC (alimentation fantôme pour antenne), 9 V CC, 30 mA (maxi.)	
Sortie antenne	75 Ω, BNC (Gain 0 dB)	—
Sensibilité réception	> 90 dB, Rapport signal/bruit (entrée 20 dBμV, déviation 40 kHz)	
Sensibilité Squelch	16 – 40 dBμV variable	
Système squelch	Utilisation simultanée bruit SQ, porteuse SQ et tonalité SQ	
Fréquence de tonalité	32,768 kHz	
Indicateur	Audio (6 positions), RF (6 positions), ANT A/B, Audio (peak), Alarme de batterie	
Contrôle canaux	Balayage des fréquences utilisables	
Rapport signal/bruit	> 110 dB (pondération A, sortie symétrique)	
Distortion harmonique	Moins de 1% (typique)	
Réponse fréquence	100 Hz – 15 kHz, ±3 dB	
Température	-10 à +50°C	
Humidité de fonctionnement	HR 30 à 85 %	
Finition	Résine, noir	
Dimensions	210 (largeur) x 44 (h) x 205.1 (prof.) mm	
Poids	700 g	

* 0 dB = 1 V

Note

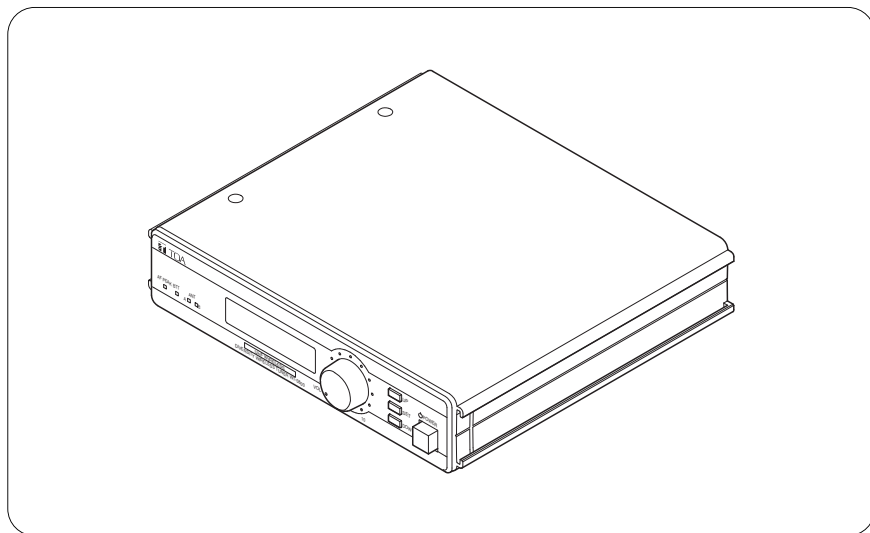
La conception et les spécifications sont susceptibles de modifications sans préavis dans un souci d'amélioration.

• Accessoires

Adaptateur CA 1

• Options

Kit support de montage: MB-WT3 (pour le montage rack d'un WT-5800/5805)
MB-WT4 (pour le montage rack de deux WT-5800/5805)

RECEPTOR INALÁMBRICO
WT-5800
WT-5805

ÍNDICE

1. PRECAUCIONES DE SEGURIDAD	38	7. CÓMO COMPROBAR Y EVITAR LAS INTERFERENCIAS	45
2. DESCRIPCIÓN GENERAL	39	8. EJEMPLOS DE CONEXIÓN	46
3. CARACTERÍSTICAS	39	9. MONTAJE EN RACK	47
4. PRECAUCIONES PARA LA MANIPULACIÓN	40	10. ESPECIFICACIONES	48
5. NOMENCLATURA Y FUNCIONES		Accesorios	48
Frontal	40	Producto opcional	48
Posterior	41		
6. UTILIZACIÓN			
6.1. Funcionamiento básico	41		
6.2. Ajustes de funciones	42		

Muchas gracias por la adquisición del Receptor Inalámbrico TOA.

Siga minuciosamente las instrucciones de este manual para poder emplear este equipo durante mucho tiempo sin problemas.

1. PRECAUCIONES DE SEGURIDAD

- Lea atentamente las instrucciones contenidas en este capítulo antes de utilizar el aparato.
- Siga las instrucciones de este manual; los símbolos y mensajes de seguridad utilizados en el mismo se refieren a precauciones importantes que deben ser adoptadas.
- Le recomendamos asimismo que guarde este manual para realizar futuras consultas.

Símbolos y mensajes de seguridad

En este manual, los símbolos y mensajes de seguridad que figuran indicados a continuación se utilizan para prevenir daños personales y materiales que podrían producirse en caso de utilización indebida del aparato. Antes de utilizarlo, por tanto, lea atentamente este manual y recuerde los símbolos y mensajes de seguridad para identificar posibles riesgos.



Indica una situación potencialmente peligrosa en la que, si el aparato no se utiliza correctamente, pueden producirse lesiones graves o un accidente mortal.

Cuando instale el aparato

- No exponga el aparato a la lluvia o a salpicaduras de agua u otros líquidos. Ello podría provocar un incendio o una descarga eléctrica.
- Utilice el aparato únicamente con el voltaje especificado en el mismo. El uso de un voltaje superior al indicado podría originar un incendio o una descarga eléctrica.
- No corte, doble, dañe ni modifique el cable de alimentación. Evite utilizar el cable de alimentación cerca de fuentes de calor y no coloque nunca objetos pesados (incluido el propio aparato) sobre el mismo, ya que podría provocar un incendio o una descarga eléctrica.
- Evite instalar o montar el aparato en lugares inestables, como una mesa que no se apoye correctamente o una superficie inclinada, dado que podría caerse y ocasionar lesiones y/o daños materiales.
- Para evitar las consecuencias de caída de rayos, instale el aparato a una distancia de como mínimo cinco metros respecto al pararrayos, pero siempre dentro del área de protección (ángulo de 45°) del conductor. El impacto de un rayo puede originar incendios, descargas eléctricas y lesiones personales.
- Este aparato se halla concebido para ser utilizado en interiores. No lo instale en el exterior, dado que los agentes atmosféricos pueden afectar negativamente los componentes del aparato y hacer que éste se deteriore y ocasione lesiones personales. Asimismo, existe el peligro de que se produzcan descargas eléctricas si el aparato se moja debido a la lluvia.

Cuando utilice el aparato

- En el caso de que detecte cualquiera de las siguientes anomalías durante la utilización del aparato, desconéctelo inmediatamente, desenchufe el cable de alimentación de la red de corriente alterna y póngase en contacto con el distribuidor TOA más próximo. No intente utilizar el aparato en estas condiciones, ya que podría producirse un incendio o una descarga eléctrica.
 - presencia de humo o de un olor extraño procedente del aparato
 - penetración de agua o de cualquier objeto metálico en el aparato
 - caída del aparato o rotura de la caja
 - desperfectos en el cable de alimentación (el alma expuesta, desconexión, etc.)
 - funcionamiento incorrecto (no produce sonido)
- No coloque vasos, tazas u otros recipientes que contengan líquidos ni objetos metálicos de ninguna clase encima del aparato. El vertido accidental de un líquido sobre el aparato o la introducción de un objeto metálico en el interior del mismo podría originar un incendio o descarga eléctrica.
- No toque el enchufe ni la antena durante una tormenta, ya que podría recibir una descarga eléctrica.

PRECAUCIÓN

Indica una situación potencialmente peligrosa en la que, si el aparato no se utiliza correctamente, pueden producirse lesiones personales leves o moderadas y/o daños materiales.

Cuando instale el aparato

- No enchufe ni desenchufe nunca el cable de alimentación con las manos mojadas, ya que podría recibir una descarga eléctrica.
- Cuando desenchufe el cable de alimentación, tire siempre de la clavija y nunca del propio cable. La utilización del aparato con un cable de alimentación deteriorado puede originar un incendio o una descarga eléctrica.
- Cuando deba trasladar el equipo, no olvide desenchufar el cable de alimentación de la toma de corriente. Si desplaza el aparato con el cable de alimentación enchufado, éste podría sufrir desperfectos, con el consiguiente riesgo de incendio o descarga eléctrica. Cuando desenchufe el cable de alimentación, hágalo siempre tirando de la clavija.
- No instale este aparato en lugares húmedos, polvorientos o expuestos a la luz solar directa, cerca de fuentes de calor o en lugares con acumulación de vapor o de humo con partículas de hollín en suspensión, ya que podría producirse un incendio o descarga eléctrica.
- Confíe la instalación de la antena a un distribuidor TOA, ya que esta operación debe ser realizada por personal cualificado. La caída de una antena mal instalada podría provocar una descarga eléctrica.

Cuando utilice el aparato

- No coloque objetos pesados encima del aparato, ya que podría caerse o romperse, con el consiguiente riesgo de lesiones personales y/o daños materiales. Además, el propio objeto puede caerse y ocasionar lesiones personales y/o daños materiales.
- Antes de poner en marcha el aparato, compruebe que el volumen se encuentra al mínimo. El fuerte ruido producido al encender la unidad con el volumen alto puede dañar el oído.
- No abra nunca la caja del aparato, ya que contiene piezas a temperatura elevada que podrían ocasionarle quemaduras. Envíe el aparato al distribuidor TOA más próximo para realizar cualquier operación de mantenimiento o reparación.
- Utilice el adaptador CA que se suministra con este aparato; el uso de un adaptador distinto podría provocar un incendio.
- La acumulación de polvo en la clavija de alimentación o en la toma de corriente puede ocasionar un incendio, por lo que es necesario limpiarlos periódicamente. Introduzca la clavija con firmeza en la toma de corriente.
- Cuando deba limpiar el aparato o cuando no precise utilizarlo durante 10 días o más, desconéctelo y desenchufe el cable de alimentación como medida de seguridad, ya que podría producirse un incendio o descarga eléctrica.
- Cualquier modificación realizada en este dispositivo sin la aprobación de TOA Corporation puede cancelar la autoridad otorgada al usuario para utilizar este equipo.

Las frecuencias comprendidas entre 865 MHz y 867 MHz no cumplen con la CE.

2. DESCRIPCIÓN GENERAL

El receptor inalámbrico WT-5800/5805 está diseñado para funcionar en la banda UHF y resulta adecuado para aplicaciones de voz y de refuerzo del habla. Está dotado de un circuito compresor/expansor que reduce al mínimo la influencia del ruido ambiental.

3. CARACTERÍSTICAS

- Un sintetizador PLL optimizado reduce considerablemente la variación de la frecuencia de oscilación provocada por los cambios de temperatura ambiental.
- La función Scan indica los canales libres disponibles y resulta útil para cambiar la frecuencia de trabajo.

- La pantalla LCD indica la frecuencia de trabajo que se está utilizando, así como los niveles RF y AF.
- Las salidas de distribución de antena (sólo el WT-5800) y las entradas audio en cascada facilitan la conexión de otra unidad para formar un sistema de dos canales.
- Tamaño compacto y elevada fiabilidad.

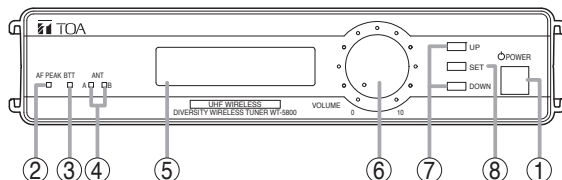
4. PRECAUCIONES PARA LA MANIPULACIÓN

- No olvide desconectar el aparato después de utilizarlo.
- Cuando monte el equipo en rack, escoja una posición en la que no pueda quedar expuesto a temperaturas elevadas.
- Instale el equipo lo más alejado posible de lámparas fluorescentes, equipos digitales, ordenadores personales y otros aparatos que generen interferencias de alta frecuencia.
- Sólo se pueden utilizar sistemas inalámbricos de la misma banda en un mismo lugar. Evite utilizar los sistemas en combinación con otros de banda diferente, ya que se podrían generar interferencias.
- Los receptores inalámbricos que se vayan a instalar en un mismo lugar deben funcionar en canales diferentes. Si se selecciona el mismo canal en ambos pueden producirse interferencias. La banda y el canal de los micrófonos inalámbricos deben ser idénticos a los de los receptores.
- Cuando utilice dos o más micrófonos inalámbricos, manténgalos alejados uno de otro al menos 50 cm para evitar perturbaciones o interferencias.
- Mantenga el micrófono inalámbrico a una distancia mínima de 3 m respecto a la antena receptora. El uso del micrófono a una distancia inferior puede provocar perturbaciones o interferencias.
- Conecte al menos dos antenas receptoras (una para el canal A y una para el canal B).

5. NOMENCLATURA Y FUNCIONES

[Frontal]

Esta ilustración representa el WT-5800.



1. Interruptor

Presione este interruptor para conectar la alimentación, y presiónelo de nuevo para desconectarla.

2. Luz AF Peak (frecuencia audio máxima)

Se enciende cuando el nivel de salida se encuentra unos 3 dB por debajo del nivel de distorsión.

3. Lámpara de alarma de la pila

Se enciende cuando queda poca carga de la pila del micrófono inalámbrico correspondiente.

4. Luces de recepción

La luz de A (izquierda) o B (derecha) se enciende en amarillo cuando el sintonizador recibe una señal de radio.

5. Pantalla LCD

Muestra la frecuencia de recepción y los niveles de RF/AF en 6 pasos cuando la unidad está en el estado normal de funcionamiento.

En el modo de ajuste, la pantalla muestra los elementos de ajuste y su contenido.

6. Mando de volumen

Control del nivel de salida.

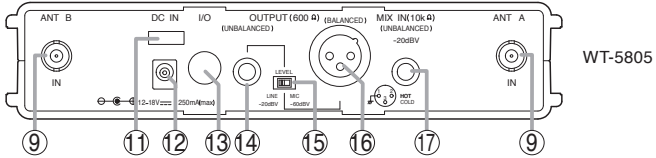
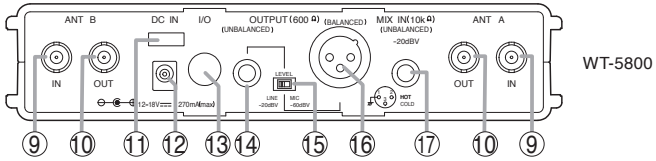
7. Teclas UP/DOWN


Sirven para seleccionar los elementos visualizados en la pantalla.

8. Tecla SET

Cuando se presiona en el estado normal de funcionamiento, configura la unidad en modo de ajuste. En el modo de ajuste, al presionar la tecla SET se determina el elemento de ajuste seleccionado y se registra su contenido.

[Posterior]

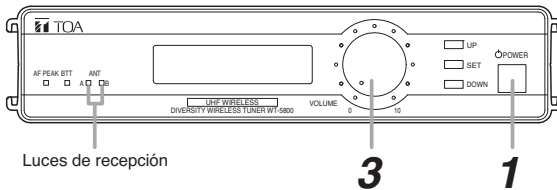


- 9. Entrada de antena A, B**
Entrada: 75 Ω, BNC
Si el sistema inalámbrico debe cubrir un área relativamente reducida, utilice las dos antenas de varilla que se suministran, una de las cuales debe montarse con un ángulo de 45° con respecto a la vertical.
- 10. Salida de distribución de antena A, B**
(Sólo el WT-5800)
75 Ω, BNC
- 11. Gancho para cable**
Sujete en esta pieza el cable de alimentación.
Cable de alimentación

Gancho para cable
- 12. Toma de entrada CC**
Conecte a esta toma el cable de alimentación del adaptador de CA suministrado.
- 13. Puerto I/O**
Sólo se emplea para el servicio técnico.
- 14. Salida de la AF (audiofrecuencia)**
Seleccionable entre -20 dB* / -60 dB*, no balanceada, enchufe para audio.
- 15. Seleccionador del nivel de salida de la AF (audiofrecuencia)**
Establece el nivel de salida de la AF mediante la selección de ya sea MIC (MICRÓFONO, -60 dB*/600 Ω) o LINE (LÍNEA, -20 dB*/600 Ω).
- 16. Salida de AF (audiofrecuencia)**
Seleccionable entre -20 dB* / -60 dB*, balanceada, conector XLR, tipo macho (Pin No. 2: Positivo)
- 17. Salida de mezcla de AF (audiofrecuencia)**
-20 dB*, 10 kΩ, no balanceada, enchufe para audio.
Conecta a la toma de salida de otra unidad de AF.

* 0 dB = 1 V

6. UTILIZACIÓN

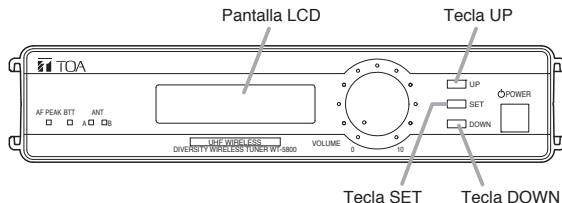
6.1 Funcionamiento básico



- Paso 1.** Conecte la alimentación, y la pantalla LCD mostrará la frecuencia de recepción y los niveles de RF/AF.
- Paso 2.** La luz de recepción se enciende cuando el receptor recibe señal de su misma frecuencia.
- Paso 3.** Ajuste el volumen.
El nivel de salida aumenta al girar el mando en el sentido de las agujas del reloj y disminuye al girarlo en sentido contrario.

6.2. Ajustes de funciones

[Teclas utilizadas en el modo de ajuste]



Elementos de ajuste visualizados en la pantalla LCD

Las indicaciones que se visualizan van cambiando de "SET CHANNEL", "SET BANK", "SET SQ LEVEL", "SET LCD POWER", "CHANNEL CHECK", "RF CHECK", "About Model" y "Exit" cada vez que se presiona la tecla UP, o la tecla DOWN para la acción inversa.

6.2.1. Ajuste del canal (frecuencia)

Paso 1. Presione la tecla SET durante un segundo aproximadamente hasta que la pantalla muestre el primer elemento de ajuste "SET CHANNEL".
La unidad se configura en el modo de ajuste.

Paso 2. Presione la tecla SET, y entonces la pantalla mostrará el canal y la frecuencia actualmente ajustados con la indicación del prefijo ">=". (Ejemplo: >=8: 805,000 MHz)

Paso 3. Seleccione el canal/frecuencia deseado con la tecla UP o DOWN.
El contenido visualizado en la pantalla LCD irá cambiando cada vez que se presione la tecla UP o DOWN.

Paso 4. Presione la tecla SET para registrar el canal/frecuencia seleccionado.
Así se termina el ajuste del canal (frecuencia), y en la pantalla LCD se muestra la indicación de "SET CHANNEL".

Nota

Para dejar sin cambios el canal/frecuencia original, seleccione "Exit" con la tecla UP o DOWN y presione la tecla SET. Luego, se visualiza nuevamente la indicación de "SET CHANNEL".

Paso 5. Cuando no se requiera ningún otro ajuste, seleccione "Exit" con la tecla UP o DOWN y presione la tecla SET.
La unidad retornará al estado normal de funcionamiento.

6.2.2. Ajuste del número de banco/frecuencia

Paso 1. Presione la tecla SET durante más de un segundo para configurar la unidad en el modo de ajuste.

Paso 2. Seleccione el elemento de ajuste "SET BANK" con la tecla UP o DOWN.

Paso 3. Presione de nuevo la tecla SET, y entonces la pantalla mostrará el número de banco y la frecuencia actualmente ajustados con la indicación del prefijo ">=". (Ejemplo: >=1:7 805,000 MHz)

Paso 4. Seleccione el número de banco/frecuencia deseado con la tecla UP o DOWN.
El contenido visualizado en la pantalla LCD irá cambiando cada vez que se presione la tecla UP o DOWN.

Paso 5. Presione la tecla SET para registrar el número de banco/frecuencia seleccionado.
Así se termina el ajuste del número de banco/frecuencia, y en la pantalla LCD se muestra la indicación de "SET BANK".

Nota

Para dejar sin cambios el número de banco/frecuencia original, seleccione "Exit" con la tecla UP o DOWN y presione la tecla SET. Luego, se visualiza nuevamente la indicación de "SET BANK".

Paso 6. Cuando no se requiera ningún otro ajuste, seleccione "Exit" con la tecla UP o DOWN y presione la tecla SET.
La unidad retornará al estado normal de funcionamiento.

6.2.3. Selección del nivel del silenciador

El receptor WT-5800/5805 tiene la función squelch (filtro de sonido) que elimina virtualmente el ruido ambiental y otras señales de audio indeseadas de los sistemas de micrófonos inalámbricos mediante el silenciamiento de la salida cuando la señal recibida es inferior a un nivel determinado de potencia de señal. Esta potencia de señal se puede modificar por medio del control del squelch.

Paso 1. Presione la tecla SET durante más de un segundo para configurar la unidad en el modo de ajuste.

Paso 2. Seleccione el elemento de ajuste "SET SQ LEVEL" con la tecla UP o DOWN.

Paso 3. Presione la tecla SET, y entonces aparecerá por pantalla la indicación "RF->" que indica que la unidad está lista para ajustar el nivel de silenciamiento.

Paso 4. Ajuste el nivel de silenciamiento consultando el medidor gráfico de barras en pantalla (6 segmentos) que puede cambiarse con la tecla UP o DOWN.

Paso 5. Presione la tecla SET para registrar el valor seleccionado.

Así se termina el ajuste del nivel de silenciamiento, y por pantalla se visualiza de nuevo la indicación de "SET SQ LEVEL".

Nota

Para dejar sin cambios el valor original, seleccione "Exit" con la tecla UP o DOWN y presione la tecla SET. Luego, se visualiza nuevamente la indicación de "SET SQ LEVEL".

Paso 6. Cuando no se requiera ningún otro ajuste, seleccione "Exit" con la tecla UP o DOWN y presione la tecla SET.

La unidad retornará al estado normal de funcionamiento.

El nivel de silenciamiento va de "0" a "6". La sensibilidad del sintonizador inalámbrico es la más alta y pueden recibirse las señales de radio en zonas amplias cuando se ha seleccionado el nivel "0", mientras que el nivel "6" proporciona la sensibilidad más baja, limitando la recepción de señales sólo a áreas reducidas.

La distancia de transmisión de señal del micrófono inalámbrico varía considerablemente según las condiciones ambientales. En el cuadro siguiente se indica, a título orientativo, el ajuste del mando del silenciador en función de la distancia de transmisión.

Graduación del modo del silenciador (squelch)	0	1	2	3	4	5	6
Distancia de transmisión (%)	100	85	70	50	30	20	15

Nota: La distancia de transmisión es una relación relativa con respecto al 100% a nivel "0".

Sugerencias

- Sitúe el mando en la posición "0" en lugares en los que no haya interferencias.
- Sitúe el mando en la posición en que no se produzca ninguna pérdida de recepción de señal del micrófono inalámbrico.

6.2.4. Ajuste de la iluminación posterior de la pantalla LCD

Paso 1. Presione la tecla SET durante más de un segundo para configurar la unidad en el modo de ajuste.

Paso 2. Seleccione el elemento de ajuste "SET LCD POWER" con la tecla UP o DOWN.

Paso 3. Presione la tecla SET, y entonces se visualizará el ajuste del brillo en la pantalla.

Paso 4. Seleccione "HIGH (Claro)" o "LOW (Oscuro)" con la tecla UP o DOWN.

Paso 5. Presione la tecla SET para registrar el nivel del brillo seleccionado.

Así se termina el ajuste del brillo, y por pantalla se visualiza de nuevo a la indicación de "SET LCD POWER".

Paso 6. Cuando no se requiera ningún otro ajuste, seleccione "Exit" con la tecla UP o DOWN y presione la tecla SET.

La unidad retornará al estado normal de funcionamiento.

6.2.5. Detección de canales

Paso 1. Presione la tecla SET durante más de un segundo para configurar la unidad en el modo de ajuste.

Paso 2. Seleccione el elemento de ajuste "CHANNEL CHECK" con la tecla UP o DOWN.

Paso 3. Presione la tecla SET.

Se iniciará la detección de canal, y se indicará el número de un canal con la frecuencia en la pantalla. Cuando hay 2 o más canales libres, puede visualizarse cada uno de ellos en secuencia con la tecla UP o DOWN.

Si no se detecta ningún canal libre, se visualiza "Vacant CHANNEL doesn't exist".

Paso 4. Presione la tecla SET para registrar el canal seleccionado.

Así se termina la detección de canal, y se visualiza de nuevo la indicación de "CHANNEL CHECK".

Nota

Para dejar sin cambios el canal original, seleccione "Exit" con la tecla UP o DOWN y presione la tecla SET. Luego, se visualiza nuevamente la indicación de "CHANNEL CHECK".

Paso 5. Cuando no se requiera ningún otro ajuste, seleccione "Exit" con la tecla UP o DOWN y presione la tecla SET.

La unidad retornará al estado normal de funcionamiento.

6.2.6. Selección de la función RF Check (comprobación RF)

Paso 1. Reduzca el volumen (si se selecciona la función RF Check cuando no hay señal se generará mucho ruido).

Paso 2. Presione la tecla SET durante más de un segundo para configurar la unidad en el modo de ajuste.

Paso 3. Seleccione el elemento de ajuste "RF CHECK" con la tecla UP o DOWN.

Paso 4. Presione la tecla SET para comprobar los canales libres escuchando el sonido.

La antena de recepción cambia entre la Antena A y la Antena B cada vez que se presione la tecla UP o DOWN.

Paso 5. Presione de nuevo la tecla SET después de haber terminado la comprobación.

Así se sale del modo de comprobación de RF, y se visualiza de nuevo la indicación de "RF CHECK".

Paso 6. Cuando no se requiera ningún otro ajuste, seleccione "Exit" con la tecla UP o DOWN y presione la tecla SET.

La unidad retornará al estado normal de funcionamiento.

6.2.7. Confirmación de la versión del firmware

Paso 1. Presione la tecla SET durante más de un segundo para configurar la unidad en el modo de ajuste.

Paso 2. Seleccione el elemento de ajuste "About Model" con la tecla UP o DOWN.

Paso 3. Presione la tecla SET para visualizar la versión del firmware.

Paso 4. Presione de nuevo la tecla SET para salida del modo de visualización del firmware.

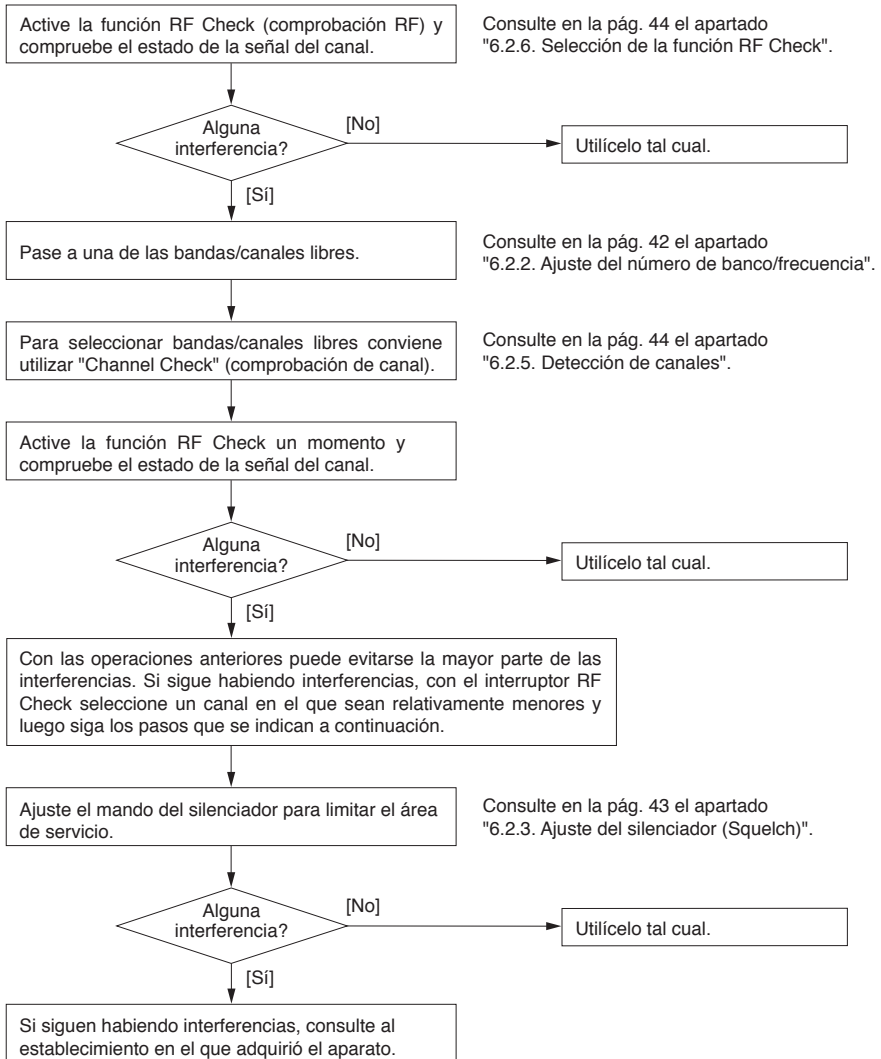
Se visualiza de nuevo la indicación de "About Model".

Paso 5. Cuando no se requiera ningún otro ajuste, seleccione "Exit" con la tecla UP o DOWN y presione la tecla SET.

La unidad retornará al estado normal de funcionamiento.

7. CÓMO COMPROBAR Y EVITAR LAS INTERFERENCIAS

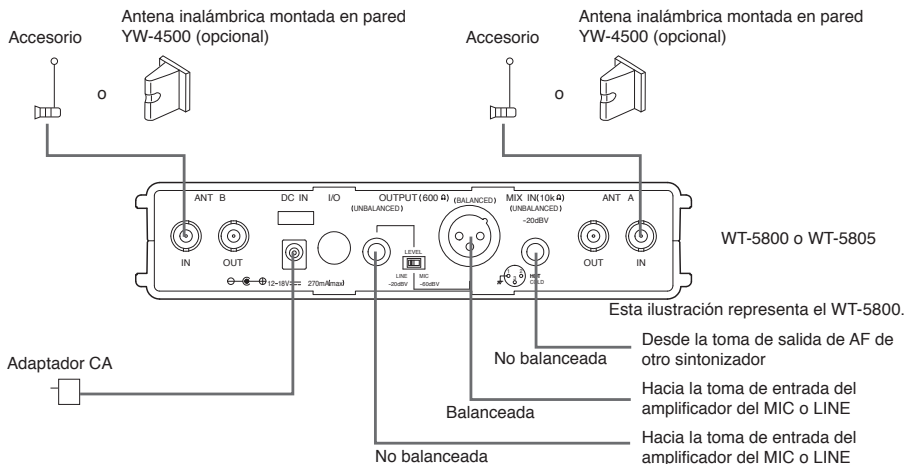
[Secuencia de acciones (diagrama de acciones)]



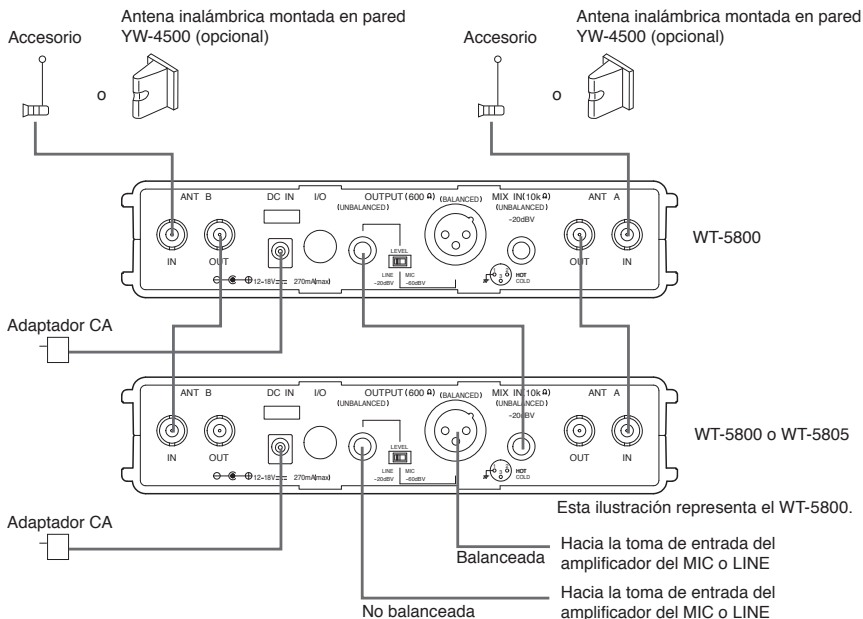
8. EJEMPLOS DE CONEXIÓN

Debe conectar al menos dos antenas receptoras (una para el canal A y una para el canal B).

[Ejemplo 1]

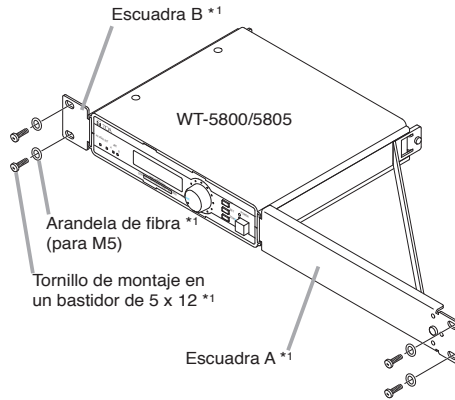


[Ejemplo 2]



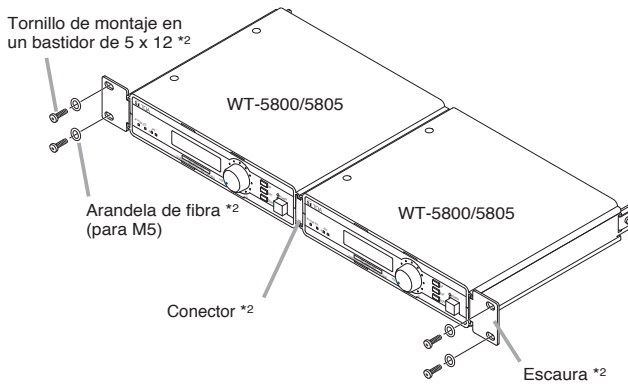
9. MONTAJE EN RACK

- Para montar una unidad WT-5800/5805, utilice el kit de montaje opcional MB-WT3.



*1 Partes componentes del MB-WT3.

- Para montar dos unidades WT-5800/5805, utilice el kit de montaje opcional MB-WT4.



*2 Partes componentes del MB-WT4.

10. ESPECIFICACIONES

N.º de modelo	WT-5800	WT-5805
Fuente de alimentación	Red de corriente alterna (debe utilizarse el adaptador CA que se incluye)	
Consumo	250 mA (12 V CC)	200 mA (12 V CC)
Frecuencia de recepción	576 – 867 MHz (576 – 606 MHz y 614 – 698 MHz para EE.UU./Canadá, 614 – 698 MHz para Brasil, 865 – 867 MHz para India)	
Canales seleccionables	64 frecuencias	
Sistema de recepción	Doble superheterodino	
Sistema de diversidad	Diversidad espacial (diversidad verdadera)	Diversidad espacial
Salida de mezcla	Seleccionable entre MIC/LINE – 60 dB* (MIC) / –20 dB* (LINE), 600 Ω Enchufe de audio (no balanceada), conector tipo XLR-3-32 (balanceada)	
Entrada de mezcla	–20 dB*, 10 kΩ, no balanceada, conector tipo Jack	
Entrada de antena	75Ω, BNC (alimentación "phantom" para antena), 9 Vcc, 30 mA (máx.)	
Salida de antena	75Ω, BNC (ganancia 0 dB)	—
Sensibilidad de recepción	Superior a 90 dB, relación señal/ruido (entrada 20 dBμV, desviación 40 kHz)	
Sensibilidad del silenciador	16 – 40 dBμV variable	
Sistema silenciador	Uso conjunto de silenciador de ruido, portadora y tono.	
Frecuencia de tono	32.768 kHz	
Indicador	Audio (6 segmentos), RF (6 segmentos), ANT A/B, Audio (máximo), Lámpara de alarma de la pila	
Comprobación de canales	Exploración de frecuencias utilizables	
Relación señal/ruido	Superior a 110 dB (balanceada en A, salida balanceada)	
Distorsión armónica	Menos del 1% (típica)	
Respuesta en frecuencia	100 Hz – 15 kHz, ±3 dB	
Temperatura de trabajo	–10°C a +50°C	
Humedad operativa	30% a 85% de HR	
Acabado	Resina, negro	
Dimensiones	210 (anchura) x 44 (altura) x 205,1 (profundidad) mm	
Peso	700 g	

* 0 dB = 1 V

Nota: El diseño y las especificaciones del producto pueden ser modificados sin previo aviso con objeto de mejorar sus prestaciones.

• Accesorios

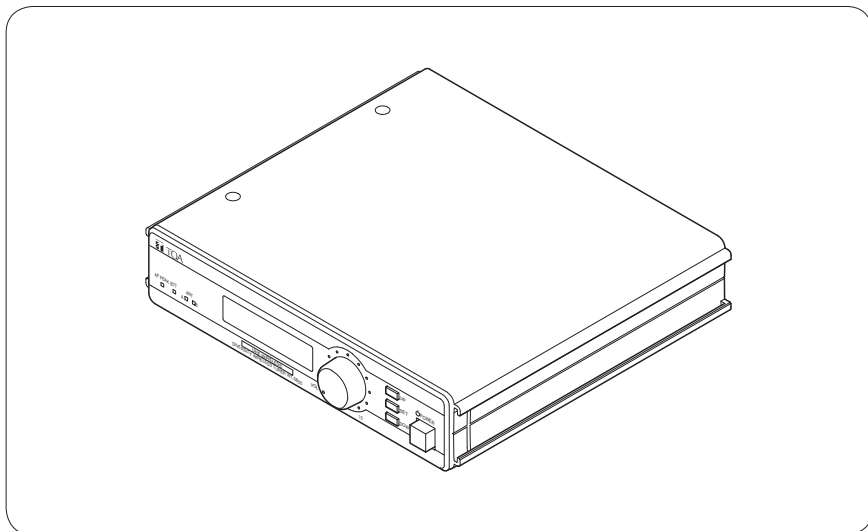
Adaptador CA 1

• Producto opcional

Kit de montaje en rack: MB-WT3 (para montaje en rack de 1 unidad WT-5800/5805)
MB-WT4 (para montaje en rack de 2 unidades WT-5800/5805)

SINTONIZADORES SEM FIO

WT-5800
WT-5805



ÍNDICE

1. PRECAUÇÕES DE SEGURANÇA	50	7. COMO VERIFICAR E LIDAR COM	
2. DESCRIÇÃO GERAL	51	INTERFERÊNCIAS	57
3. CARACTERÍSTICAS	51	8. EXEMPLOS DE CONEXÃO	58
4. PRECAUÇÕES RELATIVAS AO MANUSEIO .	52	9. MONTAGEM EM RACK	59
5. NOMENCLATURA E FUNÇÕES	52	10. ESPECIFICAÇÕES	60
6. OPERAÇÃO	53	Acessórios	60
6.1. Operações básicas	53	Produtos opcionais	60
6.2. Definições das funções	54		

Obrigado por adquirir o Sintonizador Sem Fio da TOA.

Siga cuidadosamente as instruções dadas neste manual para garantir o funcionamento prolongado e sem problemas do produto.

1. PRECAUÇÕES DE SEGURANÇA

- Certifique-se de ler atentamente as instruções dadas nesta seção antes de usar o produto.
- Certifique-se de observar as instruções dadas neste manual, tais como as convenções dos símbolos de segurança e suas instruções relevantes, que são consideradas como precauções muito importantes.
- Nós também recomendamos que você guarde este manual de instruções à mão para futuras consultas.

Convenções dos símbolos e instruções de segurança

Os seguintes símbolos e instruções de segurança são usados neste manual para prevenir ferimentos pessoais e danos materiais que poderiam resultar de um manuseio incorreto. Antes de operar o produto, leia este manual para entender bem os símbolos e instruções de segurança, de forma que fique totalmente consciente sobre os possíveis riscos e perigos.



ADVERTÊNCIA

Indica uma situação potencialmente perigosa que, se não for evitada, poderia resultar na morte ou em sérios ferimentos.

Quando instalar o produto

- Não exponha o produto à chuva ou a um ambiente em que possa haver respingos de água ou de outros líquidos, pois isso pode causar um incêndio ou choque elétrico.
- Use o produto apenas com a voltagem especificada no mesmo. Usar uma voltagem mais alta que a especificada pode causar um incêndio ou choque elétrico.
- Não corte, enrole, danifique nem modifique o cabo de alimentação. Além disso, evite usar o cabo de alimentação muito perto de aquecedores, e nunca coloque objetos pesados -- inclusive o próprio produto -- sobre o cabo de alimentação, pois isso pode causar um incêndio ou choque elétrico.
- Evite instalar ou montar o produto em lugares instáveis, tais como em uma mesa instável ou em uma superfície inclinada.
Fazer isso pode derrubar o produto e causar ferimentos pessoais e/ou danos materiais.
- Para proteger o produto contra descargas atmosféricas, instale-o a pelo menos cinco metros de uma haste de para-raios, mas dentro do alcance de proteção (ângulo de 45°) do para-raios. As descargas atmosféricas podem causar um incêndio, choque elétrico ou ferimentos pessoais.
- Como o produto foi projetado para uso em interiores, não o instale ao ar livre. Se o produto for instalado ao ar livre, o envelhecimento das peças derrubará o produto, causando ferimentos pessoais. Além disso, se o produto for molhado pela chuva, haverá o perigo de choque elétrico.

Durante o uso do produto

- Se qualquer uma das seguintes irregularidades for encontrada durante o uso, desligue o produto imediatamente, desconecte o cabo de alimentação da tomada elétrica e entre em contato com o seu revendedor TOA mais próximo. Não tente operar o produto em uma dessas condições, pois isso pode causar um incêndio ou choque elétrico.
 - Se você detectar alguma fumaça ou algum cheiro estranho do produto.
 - Se entrar água ou qualquer objeto metálico no produto.
 - Se o produto cair ou se o seu gabinete quebrar.
 - Se o cabo de alimentação sofrer danos (exposição do núcleo, corte do fio, etc.).
 - Se o produto estiver funcionando incorretamente (nenhum som é gerado).
- Não coloque copos, tigelas ou outros recipientes com líquido, ou objetos metálicos em cima do produto. A entrada accidental de algum líquido no produto pode causar um incêndio ou choque elétrico.
- Não toque na antena do produto durante trovoadas e relâmpagos.



ATENÇÃO

Indica uma situação potencialmente perigosa que, se não for evitada, poderia resultar em ferimentos moderados ou menores, e/ou danos materiais.

Quando instalar o produto

- Nunca conecte nem desconecte o plugue do cabo de alimentação com as mãos molhadas, pois isso pode causar um choque elétrico.

- Quando desconectar o cabo de alimentação, certifique-se de segurar o plugue do cabo; nunca puxe pelo próprio cabo. Operar o produto com um cabo de alimentação avariado pode causar um incêndio ou choque elétrico.
- Quando mover o produto, certifique-se de desconectar o seu cabo de alimentação da tomada elétrica. Mover o produto com o cabo de alimentação conectado a uma tomada elétrica pode danificar o cabo de alimentação, causando um incêndio ou choque elétrico.
- Quando desconectar o cabo de alimentação, certifique-se de segurar o seu plugue.
- A tomada elétrica de parede deve estar perto do equipamento e ser facilmente acessível.
- Evite instalar o produto em lugares úmidos ou poeirentos, em lugares expostos à luz direta do sol, perto de aquecedores, ou em lugares que gerem fumo ou vapor com fuligem, pois isso pode causar um incêndio ou choque elétrico.
- Encarregue a instalação de uma antena ao seu revendedor TOA, porque a instalação exige conhecimento especializado. A queda de uma antena pode causar um choque elétrico.

Durante o uso do produto

- Não coloque objetos pesados sobre o produto, pois isso pode derrubar ou quebrar o produto e causar ferimentos pessoais e/ou danos materiais. Além disso, o próprio objeto pode cair e causar ferimentos pessoais e/ou danos materiais.
- Certifique-se de que o controle do volume seja ajustado para a posição mínima antes de ligar a alimentação. Ligar a alimentação com um volume alto ajustado pode produzir um ruído alto que pode causar danos à audição.
- Nunca tente abrir o gabinete do equipamento, pois há partes de alta temperatura no interior do produto que podem causar uma queimadura. Solicite qualquer reparo ao seu revendedor TOA mais próximo.
- Use o adaptador de CA exclusivo para o produto. Repare que o uso de um outro adaptador pode causar um incêndio.
- Caso se acumule poeira no plugue do cabo de alimentação ou na tomada elétrica de parede, isso pode causar um incêndio. Limpe-o periodicamente.
- Além disso, insira o plugue completamente na tomada elétrica.
- Desligue a alimentação e, em seguida, desconecte o cabo de alimentação da tomada elétrica para o propósito de segurança quando limpar ou deixar o produto desatendido durante 10 dias ou mais. Existe o risco de incêndio ou choque elétrico.
- Qualquer modificação feita neste dispositivo que não seja aprovada pela TOA Corporation pode anular a autoridade garantida ao usuário para operar este equipamento.

As frequências entre 865 MHz e 867 MHz não cumprem com CE.

2. DESCRIÇÃO GERAL

O Sintonizador Sem Fio WT-5800/5805 foi projetado para uso na banda UHF, sendo adequado para aplicações de reforço da fala ou discurso. Ele possui um circuito Compander que minimiza a influência de ruídos do ambiente.

3. CARACTERÍSTICAS

- Um sintetizador PLL otimizado minimiza drasticamente a variação da frequência de oscilação resultante das mudanças na temperatura ambiente.
- A função de escaneamento indica os canais vazios disponíveis, sendo útil para quando se quer mudar a frequência de operação.
- A tela LCD indica a frequência de operação atual, assim como os níveis RF e AF.
- As saídas de distribuição da antena (apenas WT-5800) e as entradas de áudio em cascata facilitam a conexão de uma outra unidade para construir um sistema de canal dual.
- Tamanho compacto e alta confiabilidade

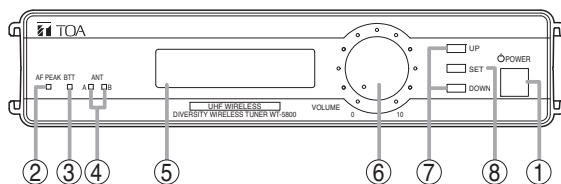
4. PRECAUÇÕES RELATIVAS AO MANUSEIO

- Após o uso, certifique-se de colocar o botão liga/desliga na posição OFF (desligado).
- Quando montar em um rack, selecione uma posição que não exponha o produto a uma alta temperatura.
- Quando instalar, mantenha o produto o mais afastado possível de luzes fluorescentes, equipamentos digitais, computadores pessoais e outros dispositivos que gerem ruído de alta frequência.
- Apenas sistemas sem fio do mesmo banco podem ser usados em um mesmo lugar. Evite usar os sistemas em combinação com bancos diferentes, pois isso pode produzir interferências ou ruídos.
- Os sintonizadores sem fio que serão instalados no mesmo lugar devem ter um número de canal diferente entre si. Defini-los com o mesmo número de canal pode produzir ruídos. Os microfones sem fio devem ter os mesmos números de banco e canal que os sintonizadores sem fio.
- Quando usar dois ou mais microfones sem fio, mantenha-os a pelo menos 50 cm afastados um do outro para evitar falhas ou ruídos.
- Mantenha o microfone sem fio a pelo menos 3 m afastado da antena receptora. Usar o microfone muito próximo da antena pode provocar falhas ou ruídos.
- Certifique-se de conectar pelo menos duas antenas receptoras (uma cada para os canais A e B).

5. NOMENCLATURA E FUNÇÕES

[Frente]

Esta figura mostra o WT-5800.



1. Interruptor liga/desliga

Pressione este botão para ligar a alimentação e pressione-o novamente para desligar.

2. Luz de pico AF

Ilumina-se quando o nível de saída atinge o ponto de aproximadamente 3 dB abaixo do nível de limitação.

3. Luz de alarme da pilha

Ilumina-se quando a voltagem da pilha no microfone sem fio correspondente se torna baixa.

4. Luzes de recepção

A luz de A (esquerda) ou B (direita) acende em amarelo quando o sintonizador recebe um sinal de rádio.

5. Tela LCD

Exibe a frequência de recepção, e os níveis RF/AF em 6 passos quando o produto está no estado de funcionamento normal.

No modo de definição, a tela exibe os itens de definição e seus conteúdos.

6. Controle do volume

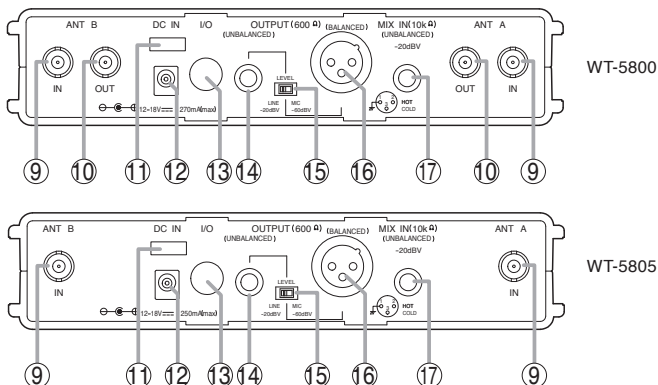
Ajusta um nível de saída.

7. Teclas para cima/para baixo

Serve para selecionar os itens de definição exibidos na tela.

8. Tecla de definição

Coloca o produto no modo de definição ao ser pressionada no estado de funcionamento normal. No modo de definição, pressionar a tecla de definição aplica o item de definição selecionado e registra o seu conteúdo.



9. Entrada de antena A, B

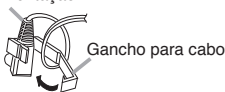
Para direcionamento do sinal A. Entrada: 75 Ω, BNC
 Para o sistema sem fio que cobre uma área relativamente estreita, use as duas antenas de haste fornecidas, que devem ser colocadas num ângulo de 45° para o exterior de uma linha vertical.

10. Saída de distribuição de antena A, B (apenas WT-5800)
 75 Ω, BNC

11. Gancho para cabo

Engate o cabo de alimentação neste acessório.
 Cabo de alimentação
 Gancho para cabo

Cabo de alimentação



12. Conector de entrada de CC

Conecte o cabo de alimentação do adaptador de CA fornecido a este conector.

13. Porta de E/S

Usa-se apenas para assistência técnica.

14. Saída AF

Conector tipo fone de -20 dB*/- 60 dB* selecionável, desbalanceado.

15. Seleto de nível de saída AF

Define o nível de saída das saídas AF mediante a seleção de MIC (- 60 dB*/600 Ω) ou LINE (-20 dB*/600 Ω).

16. Saída AF

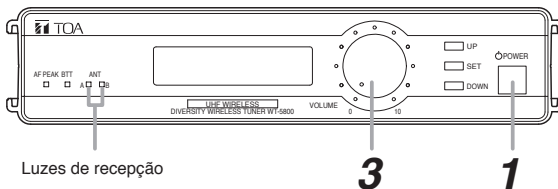
Conector XLR macho de -20 dB*/- 60 dB* selecionável, balanceado, (pino 2: Quente)

17. Entrada de mistura AF

Conector tipo fone de -20 dB*, 10 kΩ, desbalanceado.
 Serve para a conexão com a saída AF de outra unidade.
 * 0 dB = 1 V

6. OPERAÇÃO

6.1. Operações básicas



Luzes de recepção

3

1

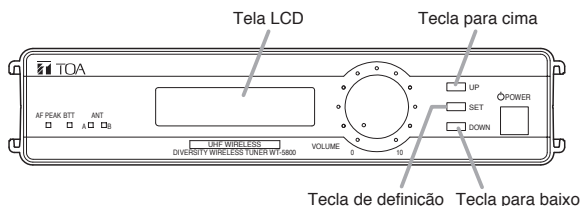
Passo 1. Ligue a alimentação e a tela LCD exibirá a frequência de recepção e os níveis RF/AF.

Passo 2. Coloque o botão liga/desliga do microfone na posição ON (ligado).
 A luz de recepção acenderá quando o sintonizador receber um sinal na mesma frequência.

Passo 3. Ajuste o controle do volume.
 O nível de saída aumenta à medida que o controle é girado no sentido horário, e diminui ao ser girado no sentido anti-horário.

6.2. Definições das funções

[Teclas usadas no modo de definição]



Itens de definição exibidos na tela LCD

A exibição muda através das indicações "SET CHANNEL" (DEFINIR CANAL), "SET BANK" (DEFINIR BANCO), "SET SQ LEVEL" (DEFINIR NÍVEL DE SILENCIAMENTO), "SET LCD POWER" (DEFINIR BRILHO DO LCD), "CHANNEL CHECK" (CHECAR CANAL), "RF CHECK" (CHECAR RF), "About Model" (Sobre o Modelo) e "Exit" (Sair) com cada pressão da tecla para cima, ou da tecla para baixo para a ação inversa.

6.2.1. Definição do canal (frequência)

Passo 1. Pressione a tecla de definição durante cerca de um segundo até que a tela exiba o primeiro item de definição "SET CHANNEL".

A unidade é colocada no modo de definição.

Passo 2. Pressione a tecla de definição e a tela exibirá o canal e a frequência definidos atualmente com a indicação do prefixo ">=". (Exemplo: >=8: 805,000 MHz)

Passo 3. Selecione o canal/frequência que deseja usar com a tecla para cima ou para baixo.

O conteúdo da exibição mudará com cada pressão da tecla para cima ou para baixo.

Passo 4. Pressione a tecla de definição para registrar o canal/frequência selecionado.

Isso termina a definição do canal (frequência) e retorna a tela à indicação "SET CHANNEL".

Nota

Se você quiser deixar o canal/frequência original inalterado, selecione "Exit" com a tecla para cima ou para baixo e pressione a tecla de definição. Em seguida, a tela retornará à indicação "SET CHANNEL".

Passo 5. Quando não precisar alterar nenhuma outra definição, selecione "Exit" com a tecla para cima ou para baixo e pressione a tecla de definição.

A unidade retornará ao estado de funcionamento normal.

6.2.2. Definição do número de banco/frequência

Passo 1. Pressione a tecla de definição durante mais de um segundo para colocar a unidade no modo de definição.

Passo 2. Selecione o item de definição "SET BANK" com a tecla para cima ou para baixo.

Passo 3. Pressione a tecla de definição novamente e a tela exibirá o número do banco e a frequência definidos atualmente com a indicação do prefixo ">=". (Exemplo: >=1:7 805,000 MHz)

Passo 4. Selecione o número do banco/frequência que deseja usar com a tecla para cima ou para baixo.

O conteúdo da exibição mudará com cada pressão da tecla para cima ou para baixo.

Passo 5. Pressione a tecla de definição para registrar o número do banco/frequência selecionado.

Isso termina a definição do número do banco/frequência e a tela retorna à indicação "SET BANK".

Nota

Se você quiser deixar o número do banco/frequência original inalterado, selecione "Exit" com a tecla para cima ou para baixo e pressione a tecla de definição. Em seguida, a tela retornará à indicação "SET BANK".

Passo 6. Quando não precisar alterar nenhuma outra definição, selecione "Exit" com a tecla para cima ou para baixo e pressione a tecla de definição.

A unidade retornará ao estado de funcionamento normal.

6.2.3. Definição do nível de silenciamento

O sintonizador WT-5800/5805 tem uma função de silenciamento que elimina virtualmente o ruído de fundo do ambiente e os sinais de áudio indesejáveis de outros sistemas de microfone sem fio, silenciando a saída quando o sinal recebido for inferior a um certo nível de intensidade. Este nível de intensidade pode ser alterado através do controle de silenciamento.

Passo 1. Pressione a tecla de definição durante mais de um segundo para colocar a unidade no modo de definição.

Passo 2. Selecione o item de definição "SET SQ LEVEL" com a tecla para cima ou para baixo.

Passo 3. Pressione a tecla de definição e a indicação de ajuste do nível de silenciamento "RF >" aparecerá na tela.

Passo 4. Ajuste o nível de silenciamento observando o medidor do gráfico de barras na tela (6 segmentos), que pode ser alterado com a tecla para cima ou para baixo.

Passo 5. Pressione a tecla de definição para registrar o valor selecionado. Isso termina a definição do nível de silenciamento e retorna a tela à indicação "SET SQ CHANNEL".

Nota

Se você quiser deixar o valor original inalterado, selecione "Exit" com a tecla para cima ou para baixo e pressione a tecla de definição.

Em seguida, a tela retornará à indicação "SET SQ LEVEL".

Passo 6. Quando não precisar alterar nenhuma outra definição, selecione "Exit" com a tecla para cima ou para baixo e pressione a tecla de definição. A unidade retornará ao estado de funcionamento normal.

O nível de silenciamento vai de "0" a "6". Com o nível "0", a sensibilidade do sintonizador sem fio é a mais alta e os sinais de rádio podem ser recebidos em áreas amplas, e com o nível "6" a sensibilidade é a mais baixa, limitando a recepção de sinais apenas a áreas estreitas.

A distância de transmissão do sinal do microfone sem fio varia bastante dependendo das condições do ambiente de uso.

A tabela abaixo fornece as diretrizes sobre o nível de silenciamento contra a distância de transmissão.

Nível de silenciamento	0	1	2	3	4	5	6
Distância de transmissão (%)	100	85	70	50	30	20	15

Nota: A distância de transmissão é a razão relativa com respeito a 100% no nível "0".

Dicas

- Ajuste o controle na posição "0" em lugares livres de interferência.
- Ajuste o controle em uma posição que não cause nenhuma perda de recepção dos sinais do microfone sem fio.

6.2.4. Ajuste do brilho da luz de fundo do LCD

Passo 1. Pressione a tecla de definição durante mais de um segundo para colocar a unidade no modo de definição.

Passo 2. Selecione o item de definição "SET LCD POWER" com a tecla para cima ou para baixo.

Passo 3. Pressione a tecla de definição e a exibição de ajuste do brilho aparecerá na tela.

Passo 4. Selecione "HIGH (Claro)" ou "LOW (Escuro)" com a tecla para cima ou para baixo.

Passo 5. Pressione a tecla de definição para registrar o nível de brilho selecionado. Isso termina a definição do brilho e retorna a tela à indicação "SET LCD POWER".

Passo 6. Quando não precisar alterar nenhuma outra definição, selecione "Exit" com a tecla para cima ou para baixo e pressione a tecla de definição. A unidade retornará ao estado de funcionamento normal.

6.2.5. Detecção de canal

Passo 1. Pressione a tecla de definição durante mais de um segundo para colocar a unidade no modo de definição.

Passo 2. Selecione o item de definição "CHANNEL CHECK" com a tecla para cima ou para baixo.

Passo 3. Pressione a tecla de definição.

A detecção de canal começa e um número de canal com frequência vazia é exibido na tela.

Quando houver 2 ou mais canais vazios, cada um deles pode ser exibido em sequência com a tecla para cima ou para baixo.

Se nenhum canal vazio for detectado, a mensagem "Vacant CHANNEL doesn't exist" (Não há um CANAL vazio) aparecerá na tela.

Passo 4. Pressione a tecla de definição para registrar o canal selecionado.

Isso termina a detecção de canal e retorna a tela à indicação "CHANNEL CHECK".

Nota

Se você quiser deixar o canal original inalterado, selecione "Exit" com a tecla para cima ou para baixo e pressione a tecla de definição. Em seguida, a tela retornará à indicação "CHANNEL CHECK".

Passo 5. Quando não precisar alterar nenhuma outra definição, selecione "Exit" com a tecla para cima ou para baixo e pressione a tecla de definição.

A unidade retornará ao estado de funcionamento normal.

6.2.6. Verificação de RF

Passo 1. Ajuste o controle do volume para diminuir o volume. (Será gerado um ruído grande se a unidade for colocada no modo de verificação de RF sem a presença de um sinal.)

Passo 2. Pressione a tecla de definição durante mais de um segundo para colocar a unidade no modo de definição.

Passo 3. Selecione o item de definição "RF CHECK" com a tecla para cima ou para baixo.

Passo 4. Pressione a tecla de definição para verificar os canais vazios ouvindo o som.

A antena receptora alterna-se entre a antena A e a antena B com cada pressão da tecla para cima ou para baixo.

Passo 5. Pressione a tecla de definição novamente após a conclusão da verificação.

Isso faz a unidade sair do modo de verificação de RF e retorna a tela à indicação "RF CHECK".

Passo 6. Quando não precisar alterar nenhuma outra definição, selecione "Exit" com a tecla para cima ou para baixo e pressione a tecla de definição.

A unidade retornará ao estado de funcionamento normal.

6.2.7. Confirmação da versão do firmware

Passo 1. Pressione a tecla de definição durante mais de um segundo para colocar a unidade no modo de definição.

Passo 2. Selecione o item de definição "About Model" com a tecla para cima ou para baixo.

Passo 3. Pressione a tecla de definição para exibir a versão do firmware.

Passo 4. Pressione a tecla de definição para sair do modo de exibição do firmware.

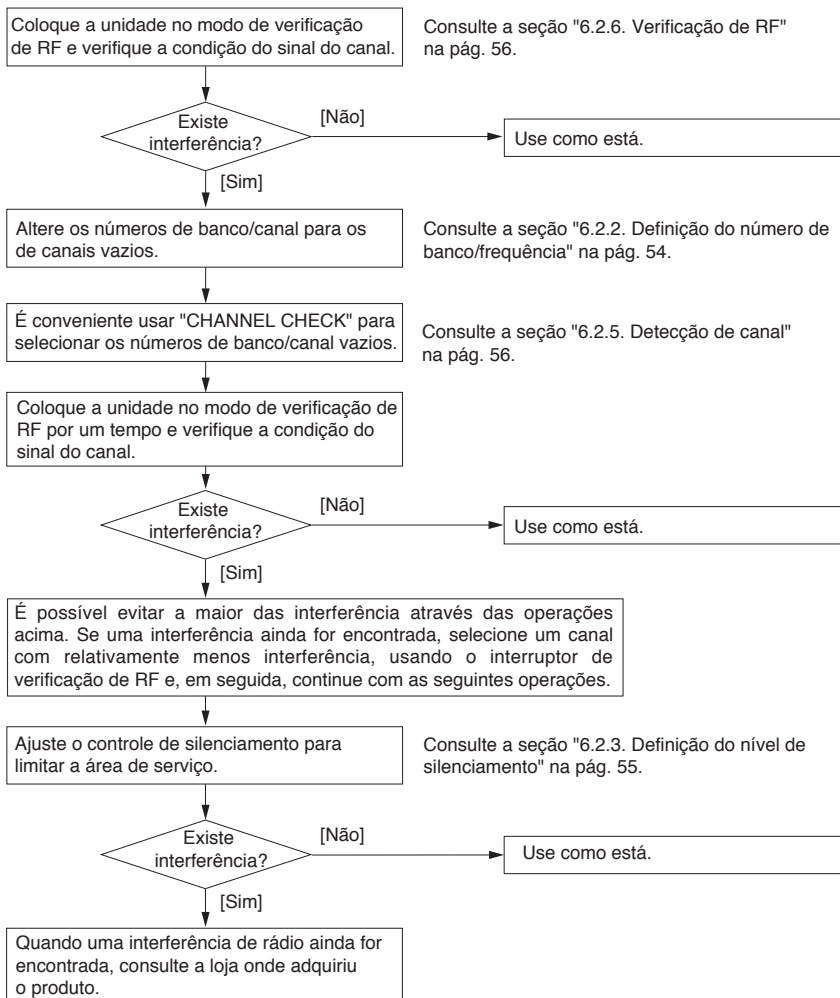
Em seguida, a tela retornará à indicação "About Model".

Passo 5. Quando não precisar alterar nenhuma outra definição, selecione "Exit" com a tecla para cima ou para baixo e pressione a tecla de definição.

A unidade retornará ao estado de funcionamento normal.

7. COMO VERIFICAR E LIDAR COM INTERFERÊNCIAS

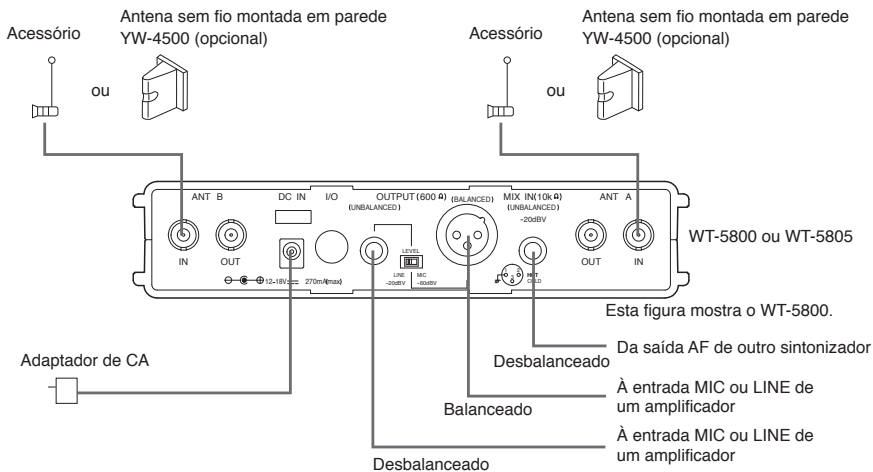
[Ordem de Ações (Fluxograma de Ações)]



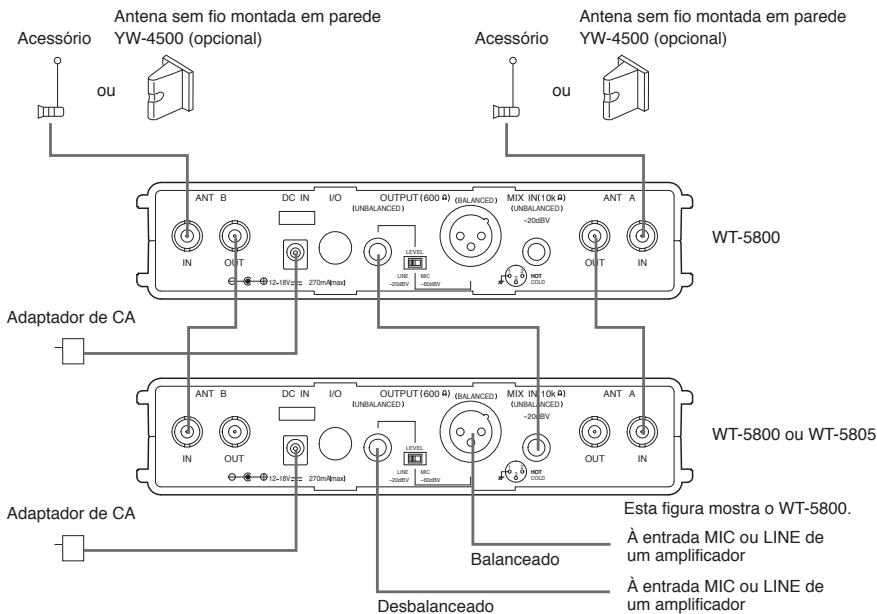
8. EXEMPLOS DE CONEXÃO

Certifique-se de conectar pelo menos duas antenas receptoras (uma cada para os canais A e B).

[Exemplo 1]

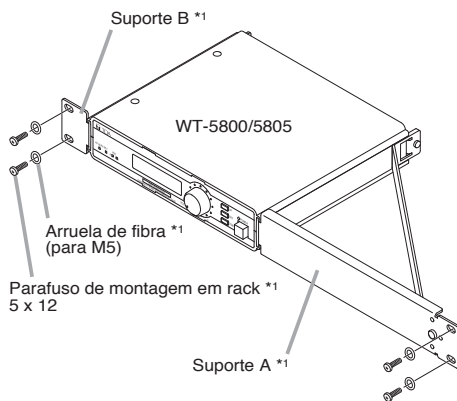


[Exemplo 2]



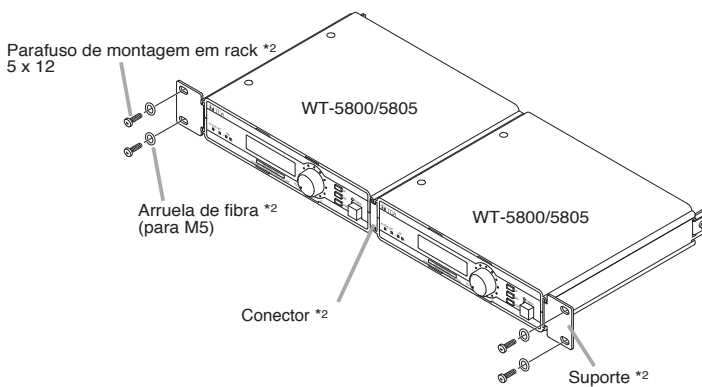
9. MONTAGEM EM RACK

- Quando montar uma unidade WT-5800/5805, use um kit de montagem opcional MB-WT3.



*1 Peças componentes do MB-WT3.

- Quando montar duas unidades WT-5800/5805, use um kit de montagem opcional MB-WT4.



*2 Peças componentes do MB-WT4.

10. ESPECIFICAÇÕES

Número do Modelo	WT-5800	WT-5805
Fonte de energia	Corrente alterna (Com o uso do adaptador de CA fornecido)	
Consumo de energia	250 mA (12 V CC)	200 mA (12 V CC)
Frequência de recepção	576 – 867 MHz (576 – 606 MHz e 614 – 698 MHz para EUA/Canadá, 614 – 698 MHz para Brasil, 865 – 867 MHz para Índia)	
Canal selecionável	64 frequências selecionáveis	
Sistema de recepção	Super-heteródino duplo	
Sistema de diversidade	Diversidade espacial (diversidade verdadeira)	Diversidade espacial
Saída de mistura	MIC/LINE (selecionável): –60 dB* (MIC)/–20 dB* (LINE), 600 Ω Conector tipo fone (desbalanceado), conector XLR-3-32 de 600 Ω (balanceado)	
Entrada de mistura	Conector tipo fone de –20 dB*, 10 kΩ, desbalanceado	
Entrada de antena	75Ω, BNC (alimentação fantasma para antena), 9 V CC, 30 mA (máx.)	
Saída de antena	75Ω, BNC (Ganho 0 dB)	—
Sensibilidade de recepção	90 dB ou mais, Relação sinal-ruído (entrada de 20 dBμV, desvio de 40 kHz)	
Sensibilidade de silenciamento	Variável em 16 – 40 dBμV	
Sistema de silenciamento	Uso em conjunto com silenciamento de ruído, silenciamento de portadora e silenciamento de som	
Frequência de tom	32,768 kHz	
Indicador	Áudio (6 passos), RF (6 passos), ANT A/B, Áudio (pico), Alarme de pilha	
Verificação de canal	Escanear de frequências usáveis	
Relação sinal-ruído	110 dB ou mais (Ponderação A, saída desbalanceada)	
Distorção harmônica	1% ou menos (típica)	
Resposta de frequência	100 Hz – 15 kHz, ±3 dB	
Temperatura de funcionamento	–10°C a +50°C	
Umidade de funcionamento	30% a 85% RH	
Acabamento	Resina, preto	
Dimensões	210 (P) x 44 (L) x 205,1 (A) mm	
Peso	700 g	

* 0 dB = 1 V

Nota: O design e as especificações estão sujeitos a modificações sem aviso prévio devido a melhorias.

• Acessórios

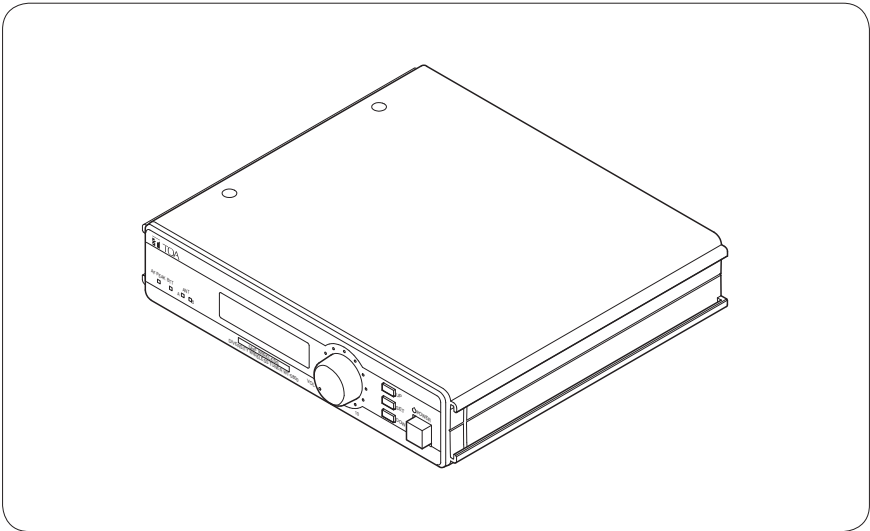
Adaptador de CA 1

• Produtos opcionais

Kit de suporte de montagem: MB-WT3 (para montagem em rack de uma unidade WT-5800/5805)
MB-WT4 (para montagem em rack de duas unidades WT-5800/5805)

无线调谐器

WT-5800 WT-5805



目录

1. 安全预防措施	62	7. 如何检查和处理干扰	69
2. 概要	63	8. 连接实例	70
3. 特性	63	9. 机架安装	71
4. 使用之注意事项	64	10. 规格	72
5. 各部分名称与功能介绍		附属品	72
前面	64	可选产品	72
后面	65		
6. 操作			
6.1. 基本操作	65		
6.2. 功能设置	66		

感谢您购买TOA的无线调谐器。
请仔细根据本手册的指导使用以确保设备能长期、无故障的使用。

1. 安全预防措施

- 在使用之前请务必仔细阅读本节的所有指示。
- 请遵守警告以及有关安全指示。
- 建议将本手册置于取用方便之处，以备日后参考之用。

安全符号和信息惯例

本手册以下使用的安全符号描述用来防止由于误操作所可能导致的人员伤害和财产损失。预防安全隐患请在您操作本产品之前，请仔细阅读本手册并理解这些安全符号。



警告

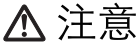
这个标志表示，存在一个潜在的安全隐患，当误操作时可能导致死亡或严重的个人伤害。

设置及安装机器时

- **避免被水沾湿**
请勿将机器暴露于雨天或可能被水或其它液体沾污的环境，否则可能导致火灾或触电。
- **请务必使用指定以外的电源电压**
使用机器所标识的电压使用机器。使用高与所标识的电压时，可能会导致火灾或触电。
- **请勿刮伤电源线**
请勿刮伤电源线，也请勿切割，扭绞电源线。同时避免电源线靠近发热物体，绝对不要在电源线上放置重物，包括机器本身。否则将有可能引发火灾或是触电。
- **请勿放置机器于不稳固的地方**
请勿将机器安装在不稳定的地方，例如摇摆的桌子、倾斜的平面。如果这样做，将会导致机器的滑落并可能导致人员的伤害和财产的损失。
- **避免机器遭雷击**
为了防止遭到雷击，机器远离避雷针五米以上，并使其处于避雷针的保护范围(45°)之内。雷击可能导致火灾、触电、以及人员伤亡。
- **请勿室外使用该机器**
该设备设计为室内使用，请勿安装于室外。如果室外安装部件的老化会导致机器的掉落，从而导致人员的伤害。并且当因下雨受潮后，可能会导致触电。

使用机器时

- **一旦发生异常**
在使用中，发现以下异常现象立即切断电源。请与TOA经销商联系。
如继续使用，将有可能引发火灾或是造成触电。
 - 机器冒烟、或是发出怪味时
 - 机器内部被水或异物侵入时
 - 机器摔落，或机器外壳破损
 - 电源线受损时(线芯外露或断线等)
 - 故障时(如没有声音)
 - 请勿打开机器内部或改造机器
- **请勿将装有液体的容器或小的金属物体放置于机器上方**
若不慎打翻容器，并让液体渗入机器时，将有可能引发火灾或是造成触电。
- **不要触碰天线**
在打雷和闪电的时候不要触碰机器的天线，有可能会造成触电。



注意

该标志表示当操作不当时，有可能有中度或轻微的人身伤害或财产损失的安全隐患。

设置及安装机器时

- **请勿以潮湿的手碰触电源插头**
请勿用潮湿的手插入或是拔出电源插头。否则将有可能造成触电。
- **请勿直接拉扯电源线**
当您拔出电源线时，请务必抓紧电源线的插头后，再拔出电源线。切勿直接拉扯电源线本身。若使用受损的电源线操作机器，则可能会引发火灾或是造成触电。
- **移动机器时，请先拔出电源线**
未拔除电源线的状态下移动机器可能损坏电源线，并且引发火灾或是触电。拔除电源线时请握住插头。
- **插座要靠近机器**
插座安装在靠近机器并且容易接近的地方。
- **请勿设置于潮湿或灰尘多的地方**
请勿将机器设置于潮湿或灰尘多的地方、日光直射的地方、靠近发热器具、或是会产生油烟或水蒸气的地方。否则将有可能引发火灾或是造成触电。
- **天线的安装由TOA经销商完成**
因为安装天线需要具有专业知识。收回天线不当可能导致触电。

使用机器时

- **请勿放置重物于机器上**
那样可能导致机器倒落或破裂，并有可能导致人员伤害或财产损失。同时重物本身可能会掉落导致伤害或损失。
- **开启电源前请将音量调至最小**
开机前请将音量调至最小，否则产生的高噪音会对你的听力造成影响。
- **请不要打开机器**
打开机器，内部某些高温部件可能会导致人员的烫伤。维修请与TOA经销商联系。
- **使用机器专门的交流适配器**
注意，使用其他的适配器可能会导致火灾。
- **定期清洁电源插头和插座**
电源插头和插座的灰尘积累，可能导致火灾。请定期清洁。同时插头应完全的插入到插座上。
- **清洁机器或机器放置不使用10天以上请关闭电源并拔出插座**
否则可能导致火灾或触电。
- 非经 TOA Corporation 许可而对此设备进行任何修改将使用户丧失操作此设备的权利。

865 MHz 和 867 MHz 之间的频率不符合 "CE."

2. 概要

WT-5800/5805无线调谐器针对UHF超高频频段设计，非常适合于歌唱和演讲环境。它的特点是有一个压缩扩展电路，可以将周围噪音的影响降到最低。

3. 特性

- 优化的PLL合成器可以将因周围环境温度的变化所产生的振荡频率波动降到最低程度。
- 扫描功能显示出可用的空闲频道，在改变运行频率时非常有用。
- LCD显示屏显示当前的运行频率包括RF和IAF等级。
- 天线分布式输出(仅WT-5800)和音频层叠输入方便连接其他机器，以建立双频道系统。
- 尺寸紧凑，可靠性高。

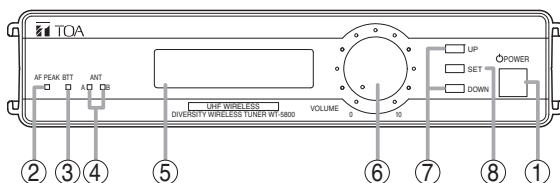
4. 使用之注意事项

- 使用完毕后确定电源开关为**OFF**。
- 当机柜安装于设备机架时，选择一个不要使机器处于较高温度的位置。
- 安装时，机器尽可能远离荧光灯、数字设备、个人电脑以及其他一些产生高频率噪声的设备。
- 在同一场所内只能使用同一波段的无线系统，避免在处于一个不同波段的混合环境下使用该系统，因为那样将会产生干扰和噪声。
- 安装在同一场所的无线调谐器必须各自使用不同的频道号码。设置为相同的频道号码会导致产生噪音。无线话筒必须和无线调谐器处于同一波段和和频道。
- 当使用两个或多个无线话筒时，相互之间至少保持**50 cm**，避免发生故障和噪声。
- 保持无线话筒远离接受天线至少**3米**。无线话筒太接近天线将导致故障和噪声。
- 确保至少安装两个接收天线(频道**A**和频道**B**各用一条)。

5. 各部分名称与功能介绍

[前面]

该图代表 WT-5800。



1. 电源开关 [ON /OFF]

按下本开关就会开启电源，再按一次时则会切断电源。

2. AF 峰值指示灯

当调谐器输出音量达到峰值之下约 3 dB 的点时，该灯会变亮。

3. 电池警告灯

当无线话筒的电池电压低时，该灯就亮起。

4. 接收信号灯

当调谐器收到无线信号时，信号灯 **A** (左边) 或 **B** (右边) 会变黄。

5. LCD 显示屏

当机器在正常运行状态下，显示当前接收频率和 **RF/AF** 水平。在设置模式下，屏幕将显示设置项目和设置内容。

6. 音量控制

调节输出音量。

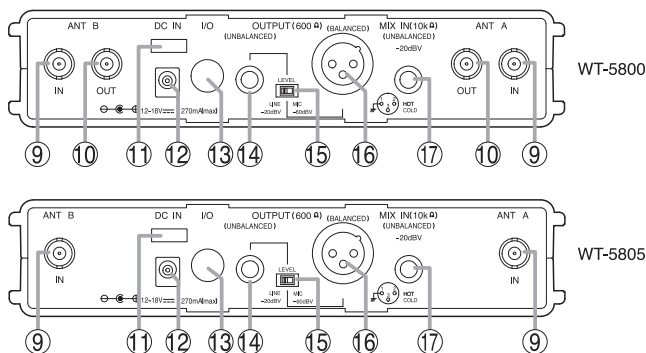
7. Up/Down 按键

选择显示屏上的设置项目。

8. Set 按键

在正常的运行状态下，按该键进入设置模式。在设置模式中，按 **Set** 键选择要设置的项目并注册它的内容。

[后面]



9. 天线输入 A,B

输入：75 Ω，BNC

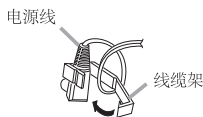
用于无线系统覆盖小范围区域，使用随机提供的两根杆式天线并且于垂直线成 45°角向外倾斜。

10. 天线分布式输出 A,B (仅 WT-5800)

75 Ω，BNC

11. 线缆架

钩住电源线。



12. 支流电源输入插孔

连接随机提供的交流适配器到这个插孔。

13. I/O 端口

仅用于维修。

14. AF 输出

-20 dB*/-60 dB* 可选非平衡式话筒插孔。

15. AF 输出电平选择器

通过选择话筒 (-60 dB*/600 Ω) 或线性 (-20 dB*/600 Ω) 来设置 AF 的输出电平。

16. AF 输出

-20 dB*/-60 dB* 可选平衡式 XLR 接头，公头类型 (针脚 #2: Hot)。

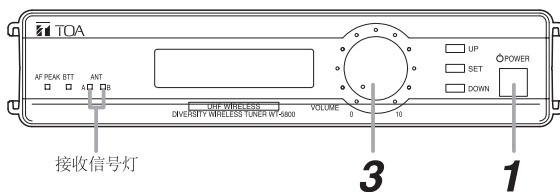
17. AF 混音输入

-20 dB*，10 kΩ，非平衡式话筒插孔。连接其他机器的 AF 输出。

* 0 dB = 1 V

6. 操作

6.1. 基本操作



第一步：打开电源，LCD显示屏将会显示接收到的频率和RF/AF等级。

第二步：设置话筒开关到ON的位置。

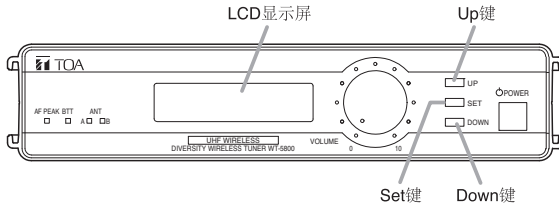
当调谐器收到相同频率的信号时，接收信号灯变亮。

第三步：调节音量。

顺时针旋转旋钮输出可增大音量，逆时针旋转可减小音量。

6.2. 功能设置

[在设置模式下使用的按键]



显示在LCD显示屏上的设置项目

通过按Up和Down键，循环显示下列项目："SET CHANNEL," "SET BANK," "SET SQ LEVEL," "SET LCD POWER," "CHANNEL CHECK," "RF CHECK," "About Model" 和 "Exit"。

6.2.1. 频道(频率)设置

第一步：按住Set键1秒钟，直到屏幕上显示第一个设置项目"SET CHANNEL"机器就进入了设置模式。

第二步：按Set键，屏幕将显示当前设置的频道和频率使用前缀">=" (例如：>=8: 805.000 MHz)

第三步：使用Up或Down键选择期望的频道/频率。
各项内容在按Up或Down时循环显示。

第四步：按Set键注册已选频道/频率。
频道/频率设置结束，屏幕显示将返回到 "SET CHANNEL"。

注意

如果要保持原始频道/频率不改变，通过Up和Down键选择"Exit"并按下Set键，然后屏幕显示将返回到"SET CHANNEL"。

第五步：当没有其他需要设置的项目时，通过Up和Down键选择"Exit"并按下Set键，设备将返回正常运行模式。

6.2.2. 波段号码/频率设置

第一步：按住Set键1秒钟以上，进入设置模式。

第二步：使用Up或Down键选择"SET BANK"。

第三步：按Set键，屏幕将显示当前设置波段和频率使用前缀">=" (例如：>=1:7 805.000 MHz)

第四步：使用Up或Down键选择期望的频道/频率。
各项内容在按Up或Down时循环显示。

第五步：按Set键注册已选波段号/频率。
波段号/频率设置结束，屏幕显示将返回到"SET BANK"。

注意

如果要保持原始波段号/频率不改变，通过Up和Down键选择"Exit"并按下Set键，然后屏幕显示将返回到"SET BANK"。

第六步：当没有其他需要设置的项目时，通过Up和Down键选择"Exit"并按下Set键，设备将返回正常运行模式。

6.2.3. 静噪等级设置

WT-5800/5805 调谐器拥有静噪功能，当接收信号低于一定的信号强度时，可以通过抑制输出来消除环境噪音和来自其他无线话筒系统的多余音频信号。这个静噪等级可以通过静噪控制器来调整。

第一步：按住Set键1秒钟以上，进入设置模式。

第二步：使用Up或Down键选择"SET SQ LEVEL"。

第三步：按Set键，屏幕将显示"RF >" 调整静噪等级。

第四步：使用Up或Down键根据屏幕显示的柱状图(6段)调整静噪等级。

第五步：按Set键注册所选择的值。

静噪等级设置结束，屏幕显示将返回到 "SET SQ LEVEL" 。

注意

如果要保持原始静噪等级不改变，通过Up和Down键选择"Exit"并按下Set键，然后屏幕显示将返回到 "SET SQ LEVEL"。

第六步：当没有其他需要设置的项目时，通过Up和Down键选择"Exit"并按下Set键，设备将返回正常运行模式。

静噪等级有"0"到"6"七个等级。当选择"0"级时，无线调谐器灵敏度最大，可以在较大的范围内接收到无线电信号。当选择"6"级时，灵敏度最小，只能在较小范围内接收到无线电信号。

无线话筒的信号传输距离很大程度取决于周围环境状况。下表提供了静噪控制和无线电传输距离的比率，

静噪控制等级	0	1	2	3	4	5	6
传输距离 (%)	100	85	70	50	30	20	15

注意：传输距离是相对比率，其中100%指的是0。

小贴士

- 当区域内没有干扰时，设置静噪控制到"0"。
- 设置静噪控制以确保无线话筒的信号没有损失的全部接收到。

6.2.4. LCD背景灯亮度调节

第一步：按住Set键1秒钟以上，进入设置模式。

第二步：使用Up或Down键选择"SET LCD POWER" 。

第三步：按Set键，屏幕将显示亮度调节。

第四步：使用Up或Down键选择"HIGH (亮)" 或 "LOW (暗)"。

第五步：按Set键注册所选择的亮度等级。

亮度等级设置结束，屏幕显示将返回到 "SET LCD POWER" 。

第六步：当没有其他需要设置的项目时，通过Up和Down键选择"Exit"并按下Set键，设备将返回正常运行模式。

6.2.5. 频道探测

第一步：按住Set键1秒钟以上，进入设置模式。

第二步：使用Up或Down键选择"CHANNEL CHECK"。

第三步：按Set键，开始频道探测，空闲频道号码的频率将显示在屏幕上。当有两个或两个以上的空闲频道时，通过Up和Down键可以看到所有的空闲频道。

如果没有探测到空闲频道屏幕将显示"Vacant CHANNEL doesn't exist"。

第四步：按Set注册所选择的频道。

频道探测设置结束，屏幕显示将返回到"CHANNEL CHECK"。

注意

如果要保持原始频道号码不变，通过Up和Down键选择"Exit"并按下Set键，然后屏幕显示将返回到"CHANNEL CHECK"。

第五步：当没有其他需要设置的项目时，通过Up和Down键选择"Exit"并按下Set键，设备将返回正常运行模式。

6.2.6. RF检查

第一步：调整音量控制到较小音量(机器在RF检查模式，当没有信号时会产生很大的噪音)。

第二步：按住Set键1秒钟以上，进入设置模式。

第三步：使用Up或Down键选择"RF CHECK"。

第四步：按Set键通过听声音检查空闲频道。

通过按Up或Down键来变化接收天线A和B。

第五步：检查完毕后按Set键。

RF检查模式退出，屏幕显示将返回到"RF CHECK"。

第六步：当没有其他需要设置的项目时，通过Up和Down键选择"Exit"并按下Set键，设备将返回正常运行模式。

6.2.7. 确认固件版本

第一步：按住Set键1秒钟以上，进入设置模式。

第二步：使用Up或Down键选择>About Model"。

第三步：按下Set键显示固件版本信息。

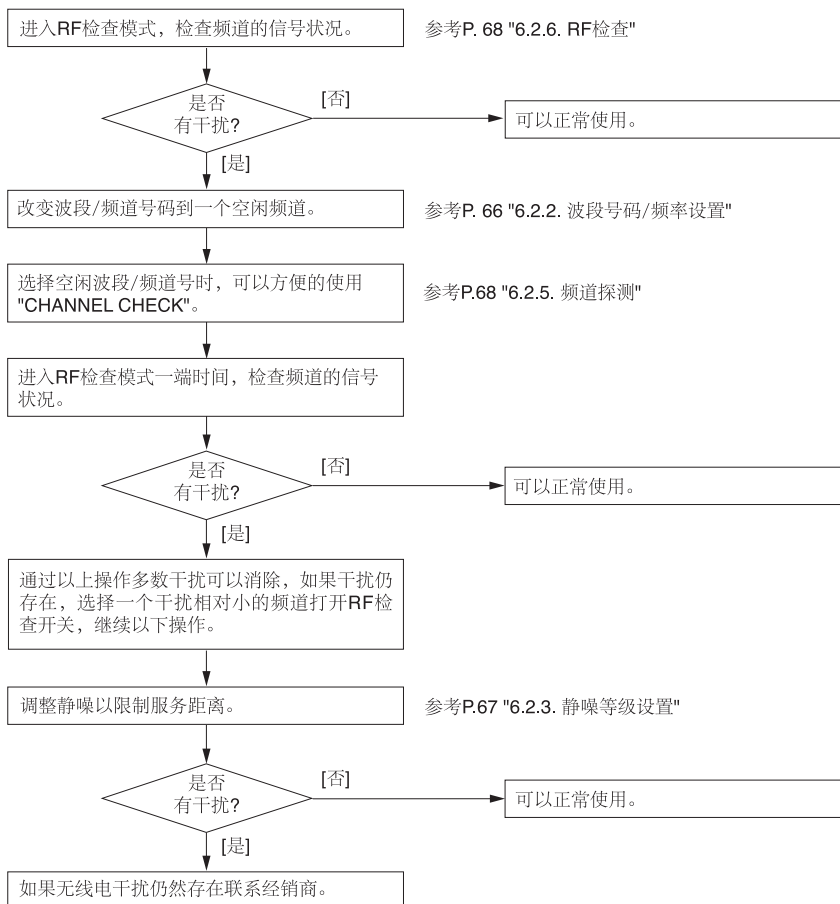
第四步：再次按下Set键退出固件版本显示模式。

屏幕显示将返回到>About Model"。

第五步：当没有其他需要设置的项目时，通过Up和Down键选择"Exit"并按下Set键，设备将返回正常运行模式。

7. 如何检查和处理干扰

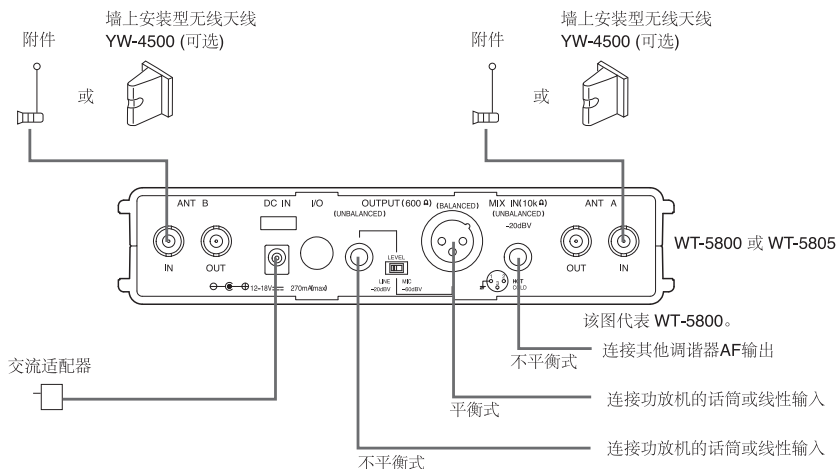
[处理顺序(操作流程图)]



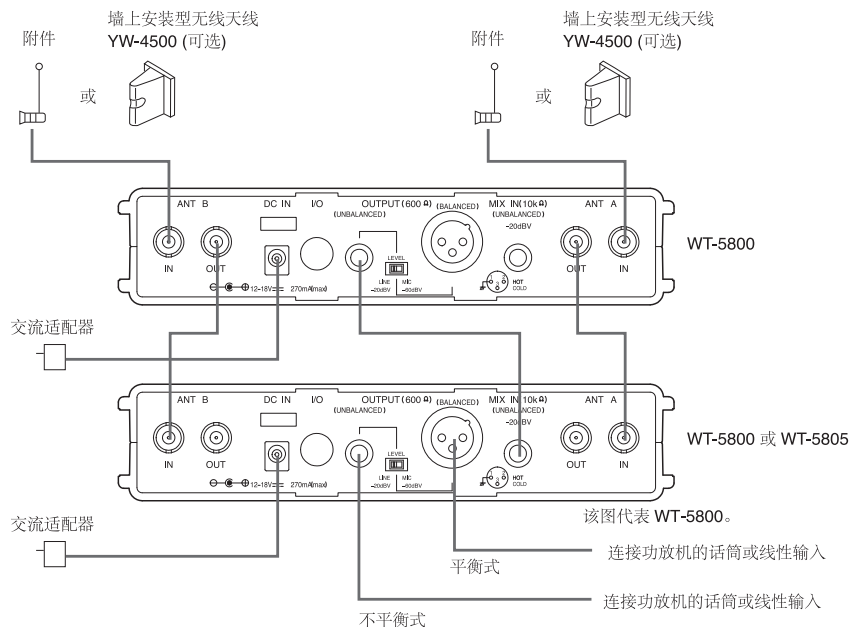
8. 连接实例

确保至少安装两根天线(频道A和频道B各用一根)。

[实例1]

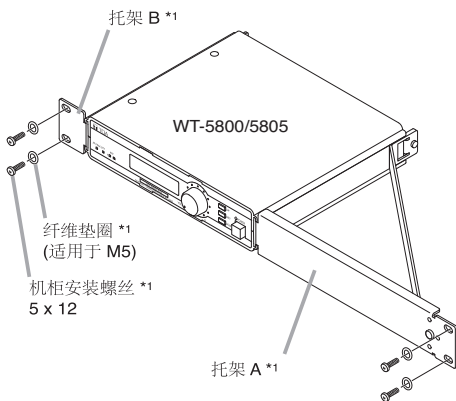


[实例2]



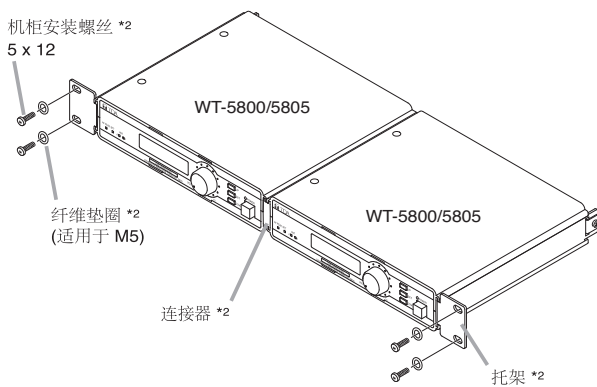
9. 机架安装

- 当机架安装一台WT-5800/5805机器时，请使用可选安装工具MB- WT3。



*1 MB- WT3的组成零件。

- 当机架安装两台WT-5800/5805机器时，请使用可选安装工具MB- WT4。



*2 MB- WT4的组成零件。

10. 规格

型号	WT-5800	WT-5805
电源需求	交流主电源 (提供必须使用的交流适配器)	
功率消耗	250 mA (直流 12 V)	200 mA (直流 12 V)
接收频率	576 – 867 MHz (576 – 606 MHz 和 614 – 698 MHz 用于美国/加拿大, 614 – 698 MHz 用于巴西, 865 – 867 MHz 用于印度)	
可选频道	64 个可供选择地频率	
接收模式	双层超外差感应接收器	
分集系统	空间分复式 (真正的分复)	空间分复式
混音输出	话筒 / 线性 (可选): -60 dB* (话筒) / -20 dB* (线性)、600 Ω 话筒接口 (不平衡式)、XLR-3-32 型接头 (平衡式)	
混音输入	-20 dB*, 10 kΩ, 不平衡式, 话筒接口	
天线输入	75Ω, BNC (幻象动力天线), 9 V DC, 30 mA (最大)	
天线输出	75Ω, BNC (增益 0 dB)	——
接收灵敏度	高于 90 dB, 信噪比 (20 dBμV 输入, 40 kHz 误差)	
抑制灵敏度	16 – 40 dBμV 可变	
抑制系统	共同使用噪声 SQ, 载波 SQ 和音调 SQ	
调谐频率	32.768 kHz	
指示器	音频 (6 段), RF (6 段), 天线 A/B, 音频 (峰值), 电池警告	
频道检查	可用频率扫描	
信噪比	超过 110 dB (A-weight, 不平衡输出)	
失真	低于 1% (典型)	
频率响应	100 Hz – 15 kHz, ±3 dB	
工作温度	-10°C 到 +50°C	
工作湿度	相对湿度 30% 至 85%	
材料	树脂, 黑色	
尺寸	210 (w) x 44 (h) x 205.1 (d) mm (不包括天线)	
重量	700 g	

* 0 dB = 1 V

注意: 设计与规格若因改善而有所变更恕不另行通知。

- 附属品

交流适配器 1

- 可选产品

机架安装支架工具: MB-WT3 (机架安装一个 WT-5800/5805 机器时使用)
MB-WT4 (机架安装两个 WT-5800/5805 机器时使用)

DECLARATION

Any modification to the unit, unless expressly approved by TOA Electronics, Inc. could void the your authority to operate the equipment.

DECLARATION OF CONFORMITY

TOA Electronics, Inc.
1350 Bayshore Highway, Suite 270 Burlingame,
California 94010, USA
TEL 650-452-1200

declare under our sole responsibility that the product
WIRELESS TUNER WT-5800,WT-5805,WT-5810,WT-S200,
WT-4800,WT-4810 and WT-4820
WIRELESS TUNER UNIT WTU-4800

comply with Part 15 of FCC Rules.

Operation is subject to the following conditions: (1) this device may not cause harmful interference, and (2) this device must accept any interference received, including interference that may cause undesired operation.



DECLARATION OF CONFORMITY

We: TOA Electronics Europe GmbH
Süderstraße 282, 20537 Hamburg, Germany

as the authorised representative of the

Manufacturer: TOA Corporation
7-2-1, Minatojima-nakamachi, Chuo-ku, Kobe, Japan 650-0046

declare, under our sole responsibility, that the product

Product Name: WIRELESS TUNER

Model Number: **WT-5800, WT-5800 ER, UK, US**
WT-5805, WT-5805 ER, UK, US
WT-5810, WT-5810 ER, UK, US
WT-S200

conforms with following specifications:

EMC: ETSI EN 301489-1: V1.8.1: 2008-04,
ETSI EN 301489-9: V1.4.1: 2007-11

LVD (06)*: EN 60065 2002 + A11

ERM: ETSI EN 300 422-1: V1.3.2: 2008-03,
ETSI EN 300 422-2: V1.2.2: 2008-03

(* : the last two digits of the year in which the CE marking was affixed.)

The product herewith complies with the requirements of the EU directives:
2006/95/EC relating to electrical safety (LVD),
2002/95/EC relating to the restrictions of hazardous substances (RoHS)
1999/5/EC relating to the radio spectrum.

Remark:

This Declaration of Conformity replaces all previous ones of the above model(s).



Hamburg, 25th January 2011
(place, date)


T. Sakata, Managing Director
(authorised signature)

The Technical Construction File (TCF) is kept at the UK office:

TOA Corporation (UK) Ltd; HQ3, Unit 2; Hook Rise South; Surbiton, Surrey KT6 7LD; United Kingdom
Tel.: +44 (0) 870 774 0987; Fax: +44 (0) 870 777 0839; URL: www.toa.co.uk

German Office:

TOA Electronics Europe GmbH, Süderstraße 282, 20537 Hamburg, Germany
Tel: +49 / (0)40 / 25 17 19-0, Fax: +49 / (0)40 / 25 17 19-98 URL: www.toa.eu

**COMPLIANCE STATEMENT TO
WT-S200, WT-3800, WT-3810, WT-4800, WT-4810, WT-4820,
WT-5800, WT-5805, WT-5810, WTU-1710, WTU-3800, WTU-4800**

AT DE	Österreich Deutschland	Hiermit erklärt TOA Electronics Europe GmbH die Übereinstimmung des Empfängers / Empfangsmoduls mit den grundlegenden Anforderungen und den anderen relevanten Festlegungen der Richtlinie 1999/5/EG.
BE	België	Bij deze verklaart TOA Electronics Europe GmbH dat deze ontvanger / ontvangstmodule voldoet aan de essentiële eisen en aan de overige relevante bepalingen van Richtlijn 1999/5/EG.
	Belgique	Par la présente, TOA Electronics Europe GmbH déclare que ce récepteur / module de réception est conforme aux exigences essentielles et aux autres dispositions de la directive 1999/5/CE qui lui sont applicables.
CH	Schweiz	Hiermit erklärt TOA Electronics Europe GmbH, dass sich dieser Empfänger / dieses Empfangsmodul in Übereinstimmung mit den grundlegenden Anforderungen und den anderen relevanten Vorschriften der Richtlinie 1999/5/EG befinden. (CH: Telion AG, URL: www.telion.ch)
DK	Danmark	Undertegnede TOA Electronics Europe GmbH erklærer herved, at følgende udstyr Modtager / Modtager Modul overholder de væsentlige krav og øvrige relevante krav i direktiv 1999/5/EF.
ES	España	TOA Electronics Europe GmbH declara que el receptor / sintonizador inalámbrico cumple con los requisitos esenciales y otras disposiciones aplicables o exigibles en la Directiva 1999/5/CE.
FI	Suomi / Finland	TOA Electronics Europe GmbH vakuuttaa täten että tämä vastaanotin / virtinmoduli on direktiivin 1999/5/EY oleellisten vaatimusten ja sitä koskevien direktiivin muiden ehtojen mukainen.
FR CH	France Suisse	Par la présente TOA Electronics Europe GmbH déclare que l'appareil récepteur / module de réception est conforme aux exigences essentielles et aux autres dispositions pertinentes de la directive 1999/5/CE. (CH: Telion AG, URL: www.telion.ch)
GB	Great Britain	Hereby, TOA Electronics Europe GmbH, declares that this receiver / tuner module is in compliance with the essential requirements and other relevant provisions of Directive 1999/5/EC.
GR	Ελλάδα	Με την παρούσα η εταιρεία TOA Electronics Europe GmbH δηλώνει ότι ο ραδιοφωνικός δέκτης/ μονάδα δέκτη συμμορφώνεται με τις ουσιαστικές απαιτήσεις και τις λοιπές σχετικές διατάξεις της οδηγίας 1995 /5/ΕΚ .
IT CH	Italia Svizzera	Con la presente TOA Electronics Europe GmbH dichiara che questo Ricevitore / Modulo sintonizzatore è conforme ai requisiti essenziali ed alle altre disposizioni pertinenti stabilite dalla direttiva 1999/5/CE. (CH: Telion AG, URL: www.telion.ch)
NL	Nederland	Hierbij verklaart TOA Electronics Europe GmbH dat deze ontvanger / ontvangstmodule in overeenstemming is met de essentiële eisen en de andere relevante bepalingen van richtlijn 1999/5/EG.
NO	Norway	TOA Electronics Europe GmbH erklærer herved, at denne mottagermodul / radio er i samsvar med de vesentlige egenskapene og øvrige relevante krav i direktiv 1999/5/EC. (N: Scandec Systemer AS, URL: www.scandecsystemer.no)
PT	Portugal	TOA Electronics Europe GmbH declara que este Receptor / Sintonizador está conforme com os requisitos essenciais e outras disposições da Directiva 1999/5/CE.
SE	Sverige	Härmed intygar TOA Electronics Europe GmbH att denna Mottagare / Radio modul står i överensstämmelse med de väsentliga egenskapskrav och övriga relevanta bestämmelser som framgår av direktiv 1999/5/EG.

INTENDED USE OF
WT-3800, WT-3810, WT-5800, WT-5805, WT-5810

A CH D	Österreich Schweiz Deutschland	WICHTIGER HINWEIS !	Der Gebrauch dieses Funkempfängers für andere Zwecke als zum Empfang eines Tonsignals von einem passenden Funkmikrofon ist nicht zulässig. Dieses Gerät arbeitet auf in der europäischen Gemeinschaft (EU) nicht harmonisierten Frequenzen. Abhängig vom geografischen Gebiet dürfen bestimmte Frequenzen legal mit oder ohne Autorisierung / individueller Lizenz entsprechend der beigefügten Frequenztafel genutzt werden.
B NL	België Nederland	BELANGRIJKE AANWIJZING !	Het is niet toegestaan deze ontvanger te gebruiken voor enig ander doel dan het ontvangen van een audiosignaal van de bijbehorende draadloze microfoon. Dit apparaat maakt gebruik van frequentiebanden welke in de Europese Gemeenschap (EG) niet algemeen zijn toegestaan. Afhankelijk van de geografische ligging kan voor het legal gebruik van een bepaalde frequentie een vergunning nodig zijn, zoals is aangegeven in de frequentietabel.
B CH F	Belgique Suisse France	AVIS IMPORTANT !	Ne pas utiliser les récepteurs HF pour une réception du signal audio provenant d'un appareil, autre que les microphones prévus à cet effet. Cet appareil utilise des fréquences d'émission qui ne sont pas harmonisées à travers la Communauté Européenne (EU). En fonction du lieu géographique certaines fréquences peuvent être utilisées de façon légale avec ou sans autorisation / licence individuelle comme décrit dans le tableau des fréquences.
DK	Danmark	VIGTIGT !	Det er ulovligt at bruge denne modtager til andre formål end at modtage et lydssignal fra en passende trådløs mikrofon. Dette udstyr anvender frekvens bånd som ikke er harmoniseret i EU. Afhængig af det enkelte land/område kan bestemte frekvenser anvendes lovligt med eller uden individuel licens som beskrevet i frekvens tabellen.
EL	Ελλάδα	ΣΗΜΑΝΤΙΚΗ ΣΗΜΕΙΩΣΗ !	Είναι παράνομη η χρήση του δέκτη για οποιοδήποτε άλλο λόγο εκτός της λήψης ηχητικού σήματος από το αντίστοιχο σύστημα μικρόφωνο. Η συσκευή αυτή χρησιμοποιεί συχνότητες οι οποίες δεν εναρμονίζονται σε όλη την Ευρωπαϊκή Ένωση (Ε.Ε.). Ανάλογα με τη γεωγραφική περιοχή συγκεκριμένες συχνότητες μπορούν να χρησιμοποιηθούν νόμιμα με ή χωρίς άδεια / ειδική άδεια όπως αναφέρεται στον πίνακα συχνοτήτων.
ES	España	¡ AVISO IMPORTANTE !	Es ilegal utilizar este receptor para cualquier otro propósito que no sea recibir una señal de audio de su correspondiente micrófono inalámbrico. Este dispositivo hace uso de bandas de frecuencia que no son legales en toda la Comunidad Europea (CE). Dependiendo del área geográfica/ciertas frecuencias se pueden utilizar legalmente, con o sin autorización individual, según se indica en la tabla de frecuencias.
FI	Suomi / Finland	HUOMIOITAVAA !	Tätä vastaanotinta saa käyttää ainoastaan audiosignaalin vastaanottamiseen sille tarkoitettua langattomalla mikrofonilla. Tämä laite käyttää taajuuksia jotka eivät ole yhteneviä koko EU:n alueella. Riippuen maantieteellisesti sijainnista joltain taajuuksia saa käyttää joko radio- luvan kanssa tai ilman. Ks. oheinen taajuustaulukko.
I CH	Italia Svizzera	AVVISO IMPORTANTE !	E' illegale utilizzare questo ricevitore per qualsiasi altro scopo che non sia la ricezione di un segnale audio dal suo radiomicrofono. Questo prodotto utilizza bande di frequenza che non sono totalmente armonizzate in tutta la Comunità Europea (EU). Dipendentemente dall' area certe aree geografica certe frequenze possono essere usate legalmente con o senza autorizzazione / licenza individuali come stabilito nella tabella delle frequenze.
N	Norway	VIKTIG MELDING !	Det er ulovlig å bruke denne mottakeren til noe annet formål enn å motta et lydssignal fra en tilhørende trådløs mikrofon. Denne enheten gjør bruk av frekvensbånd som ikke gjennomført er harmonisert i det Europeiske Fellesskap (EU). Avhengig av det geografiske område kan noen frekvenser være tillatt brukt med eller uten autorisasjon / individuelle lisenser slik det er beskrevet i frekvenstabellen.
P	Portugal	NOTA IMPORTANTE !	Este Receptor só pode receber sinal de audio do respectivo Microfono Emissor. Este equipamento utiliza bandas de frequência que não estão harmonizadas em toda a Comunidade Europeia (CEE). De acordo com a área geográfica, certas frequências podem ser usadas com ou sem autorização / licença individual, conforme está mencionada na lista de frequências.
S	Sverige	VIKTIG ANMÄRKNING !	Det är illegalt att använda denna mottagare för något annat ändamål än att ta emot en audiosignal från dess tillhörande trådlösa mikrofon. Denna apparat utnyttjar frekvensband som inte överensstämmer med varandra inom hela Europeiska Gemenskapen (EG). Beroende på geografiskt område kan vissa frekvenser användas legalt med eller utan tillstånd/individuell licens enligt frekvensplanen.
UK	United Kingdom	IMPORTANT NOTICE !	It is illegal to use this receiver for any other purpose than receiving an audio signal from its matching wireless microphone. This device makes use of frequency bands which are not harmonised throughout the European Community (EU). Depending on the geographical area certain frequencies can be used legally with or without authorisation / individual license as stated in the frequency table.

URL: www.toa.de



TOA Corporation

URL: <http://www.toa.jp/>

133-07-00025-00