



日本語の取扱説明書は裏面をご覧ください。

# INSTRUCTION MANUAL

## SPEAKER MOUNTING KIT

## YS-301

### SAFETY PRECAUTIONS

- Be sure to read the instructions in this section carefully before use.
- Make sure to observe the instructions in this manual as the conventions of safety symbols and messages regarded as very important precautions are included.
- We also recommend you keep this instruction manual handy for future reference.

### Safety Symbol and Message Conventions

Safety symbols and messages described below are used in this manual to prevent bodily injury and property damage which could result from mishandling. Before operating your product, read this manual first so you are thoroughly aware of the potential safety hazards as well as understand the safety symbols and messages.

**CAUTION** Indicates a potentially hazardous situation which, if mishandled, could result in moderate or minor personal injury, and/or property damage.

- Install the unit only in a location that can structurally support the weight of the unit and the mounting bracket. Doing otherwise may result in the unit falling down and causing personal injury and/or property damage.
- Do not stand or sit on, nor hang down from the speaker as this may cause it to drop, resulting in personal injury and/or property damage.

### GENERAL DESCRIPTION

The YS-301 speaker mounting kit is used for installing TOA's column speaker TZ-105, TZ-205 or TZ-301 outdoors or on the wall of a gymnasium or other facilities. The speaker angle to the mounting surface can be adjusted with this mounting kit.

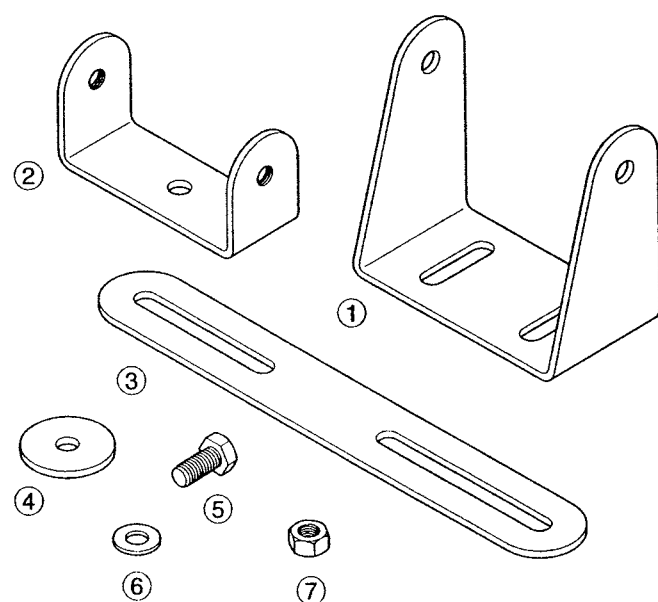
### APPLICABLE SPEAKERS

Column speakers TZ-105, TZ-205, and TZ-301.

### COMPONENTS

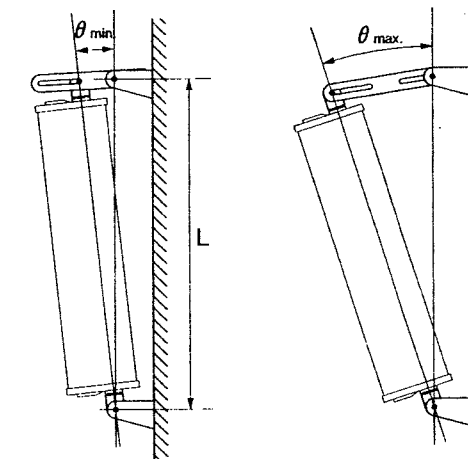
No.	Component	Quantity
①	Bracket A	2
②	Bracket B	2
③	Bracket C	2
④	Gasket	2
⑤	Hexagon bolt 8x18	6
⑥	Washer 8	8
⑦	Nut 8	2

Weight(set of the components): 1.3 kg



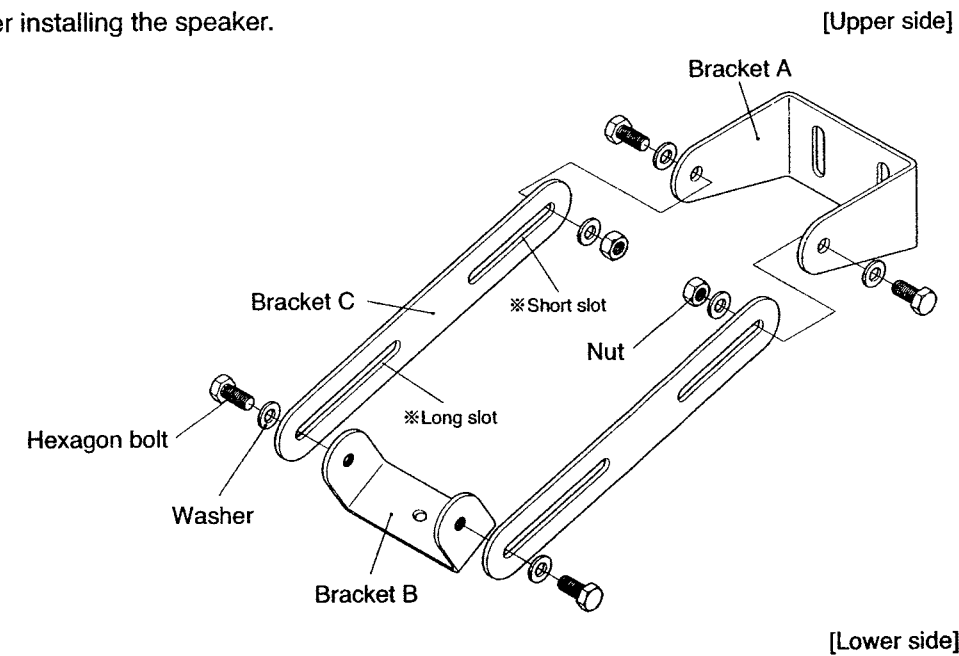
### INSTALLATION DISTANCE AND ANGLE

Speaker model No.	Standard installation length [mm]	Minimum angle $\theta$ min. [°]	Maximum angle $\theta$ max. [°]
TZ-301	1322	3.1	8.7
TZ-205	645	6.4	17.8
TZ-105	400	10.3	29.0



### INSTALLATION

1. Determine the distance between upper and lower brackets A. Because the distance differs depending on the speaker, refer to the table above.
2. Check to ensure that the mounting surface is structurally strong, then secure bracket A with anchor bolts.
3. Assemble remaining components as shown in the figure. (Note that bracket C can be mounted only in the limited direction.)
4. Fully tighten each bolt after installing the speaker.



### Precaution

Two slots provided in bracket C differ in length from each other.

See to it that a short slot faces bracket A (wall) and a long slot faces bracket B (speaker) when assembling. Reversing the orientation will narrow the adjustable range of a speaker angle.

