

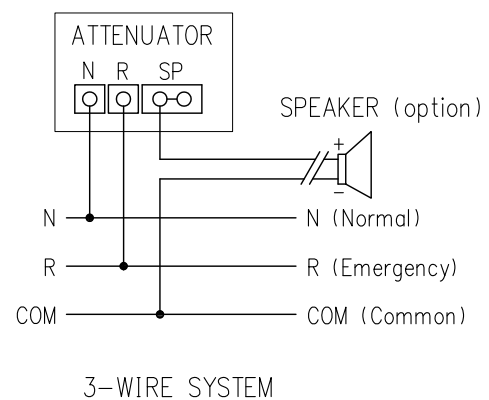
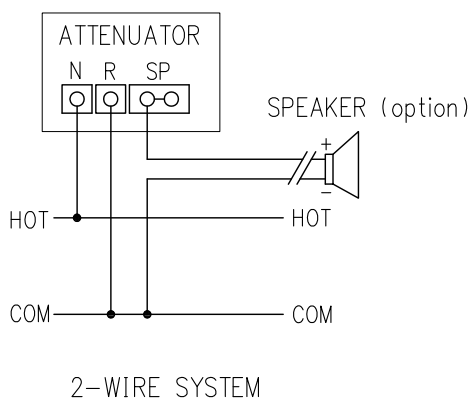
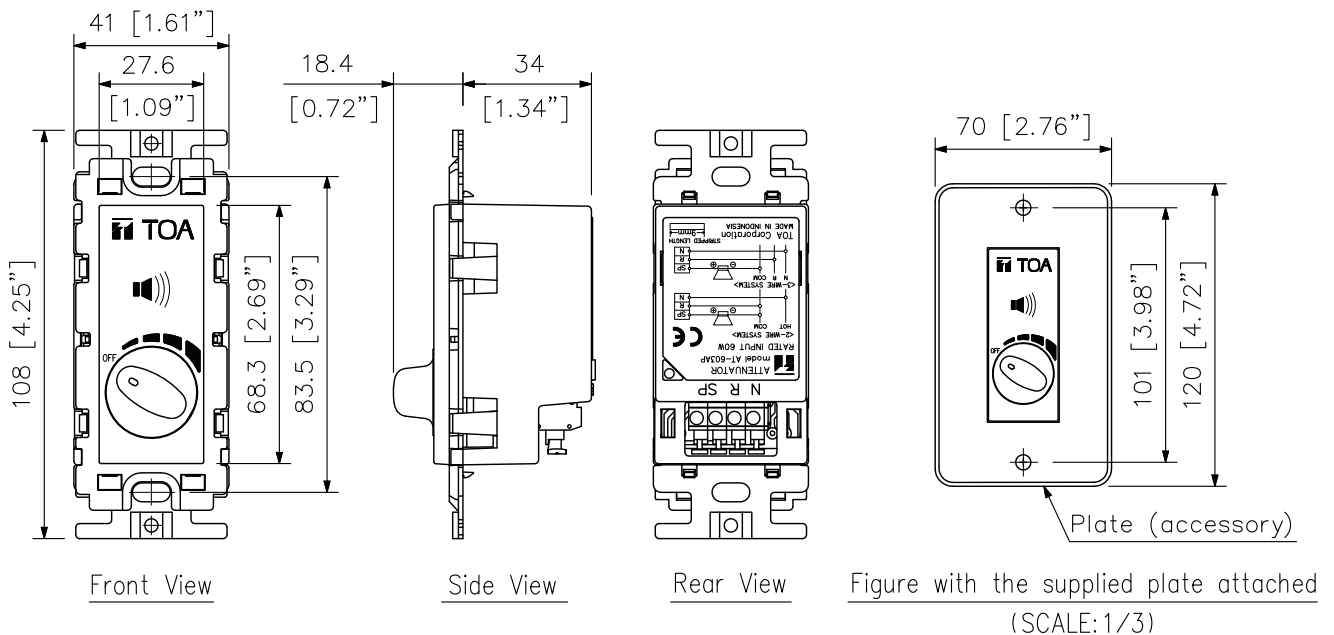
## DESCRIPTION

The AT-603AP is a flush-mounted wall attenuator and uses a transformer which allows connection of a wide range of loads (60 W or less). Volume can be adjusted in five steps. The AT-603AP features push-in terminal block for easy connection.

## SPECIFICATIONS

|                       |   |
|-----------------------|---|
| Input Range           | 0.5 W - 60 W  |
| Attenuation           | 5 steps (0 dB, -6 dB, -12 dB, -18 dB, OFF)  |
| Applicable Cable      | 600 V vinyl-insulated cable (Indoor Vinyl or Heat-resistant Indoor Vinyl cable)<br>Solid cable: $\phi 0.8$ (0.03") - $\phi 1.6$ (0.06") mm      |
| Terminal              | Push-in connector   |
| Operating Temperature | -10 °C to +50 °C  |
| Finish                | Knob, panel, plate: ABS resin, white (RAL 1013 equivalent)<br>Case: ABS resin, black  |
| Dimensions            | 70 (W) × 120 (H) × 52.4 (D) mm (2.76" × 4.72" × 2.06") (with plate)<br>41 (W) × 108 (H) × 52.4 (D) mm (1.61" × 4.25" × 2.06") (attenuator only) |
| Weight                | 210 g (0.46 lb) (unit only)   |
| Accessory             | Plate $\times 1$ , Plate mounting screw $\times 2$ , Box mounting screw $\times 2$  |
| Applicable Plate      | YP-1AF (option)   |
| Applicable Box        | YS-11A (option)   |

## APPEARANCE



UNIT: mm SCALE: 1/2