

DESCRIPTION

Designed for indoor use, the BS-301W is a 2-way speaker system featuring high power handling. It consists of a subwoofer and 4 satellite speakers. The subwoofer is equipped with two 16 cm cone speakers and each satellite speaker equipped with one 8 cm cone speaker. The subwoofer can be installed on a floor or to a wall, and the satellite speaker can be installed to a wall or ceiling.

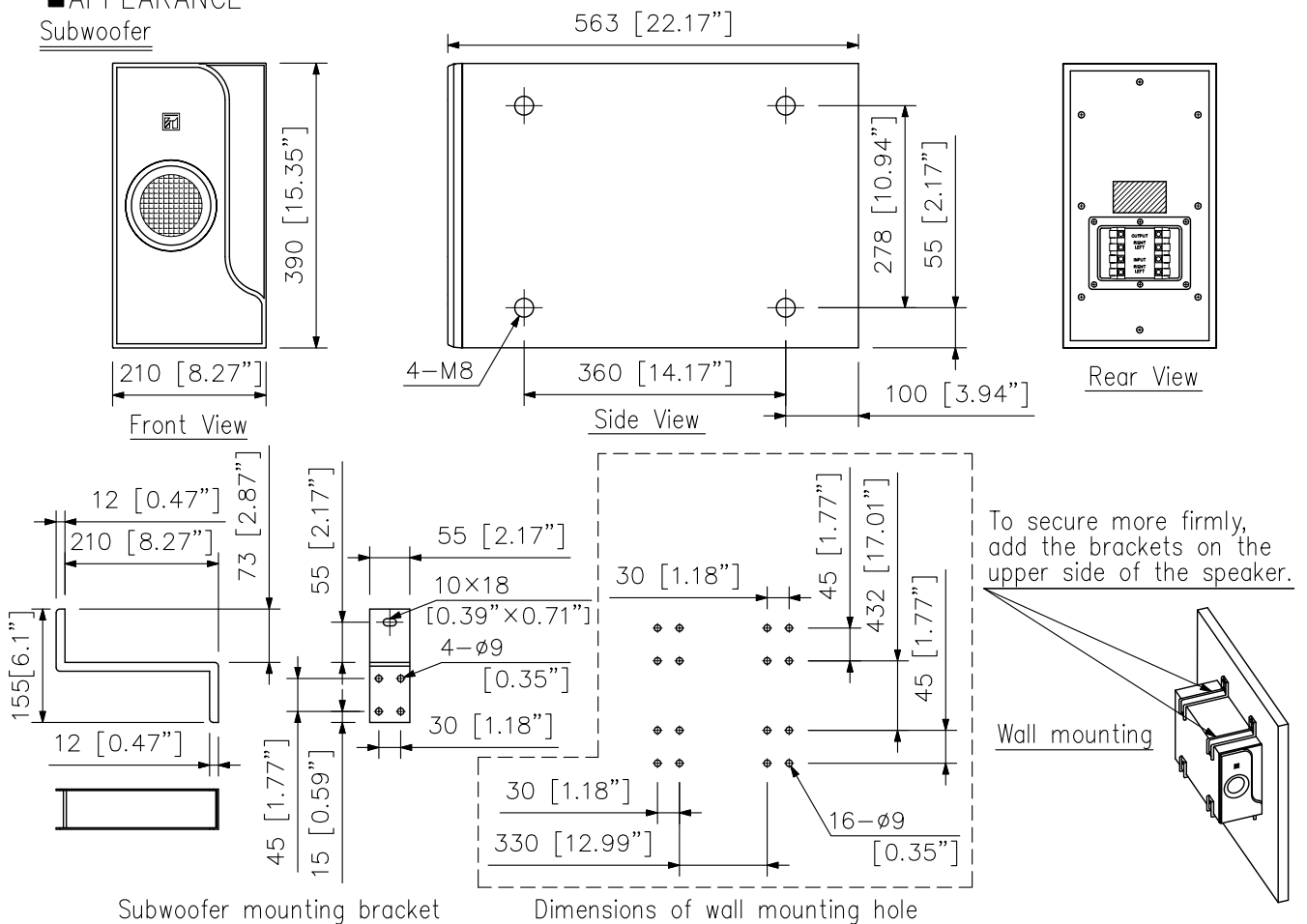
SPECIFICATIONS

Power Handling Capacity	Continuous program: 160 W* X2 channels Continuous pink noise: 80 W* X2 channels
Rated Impedance	4 Ω* X2 channels
Sensitivity	81 dB (1 W, 1 m)* X2 channels
Frequency Response	40 Hz - 20 kHz* X2 channels
Weight	13.9 kg (30.64 lb) (excluding mounting bracket)
Subwoofer	Rated impedance: 6 Ω X2 channels Speaker component: 16 cm (6.5") cone-type X2 channels Finish: Front panel--ABS resin, white Enclosure--Wood, white Speaker bracket--Steel plate, white, paint Dimensions: 210 (W) X 390 (H) X 563 (D) mm (8.27" X 15.35" X 22.17") Weight: 11.5 kg (25.35 lb) (excluding mounting bracket)
Satellite Speaker	Rated impedance: 8 Ω Speaker component: 8 cm (3") cone-type Finish: Enclosure, Front panel--HIPS resin, white Speaker bracket--Steel plate, white, paint Dimensions: 92 (W) X 97.5 (H) X 100 (D) mm (3.62" X 3.84" X 3.94") Weight: 600 g (1.32 lb) (excluding mounting bracket)
Product Composition	Subwoofer--1, Satellite speaker--4
Accessory	Subwoofer mounting bracket (white)--4, Rubber foot and fixing screw for subwoofer--4, Subwoofer mounting screw--4, Satellite speaker mounting bracket (white)--6, Satellite speaker mounting screw--8, Sticker for satellite speaker (white)--8

* Overall characteristics measured in a set configuration of a subwoofer (L or R channel) and 2 satellite speakers.

APPEARANCE

Subwoofer

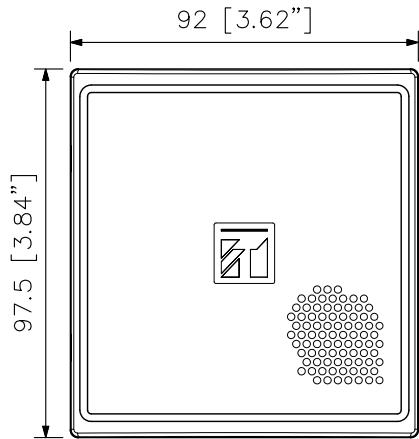


UNIT:mm SCALE:1/10

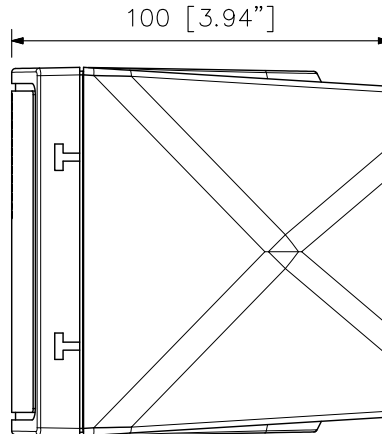
Note: Screw to mount the bracket are not provided.

■ APPEARANCE

Satellite Speaker



Front View



Side View

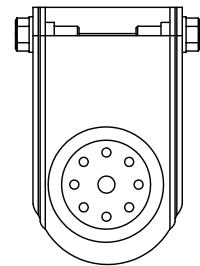
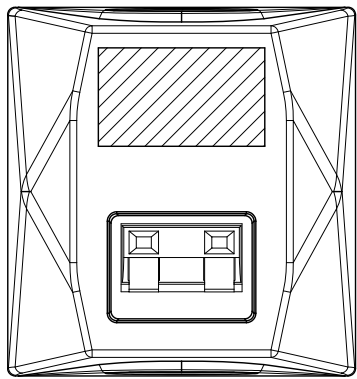
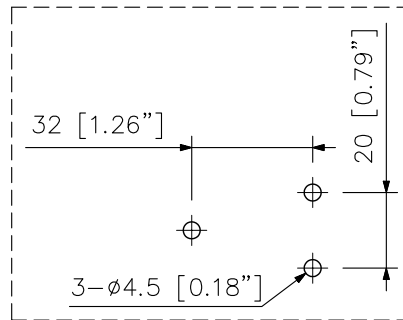


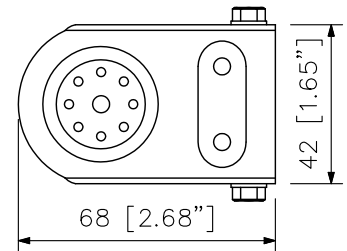
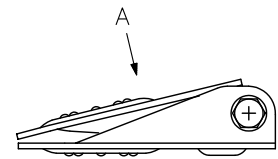
Figure as viewed from point A



Rear View

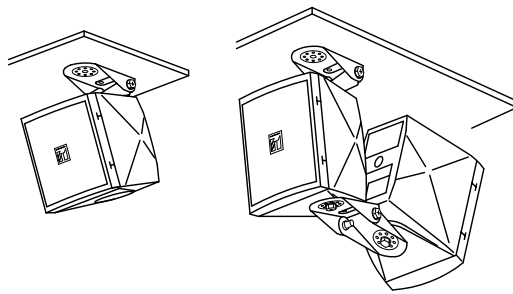


Dimensions of wall or ceiling mount hole

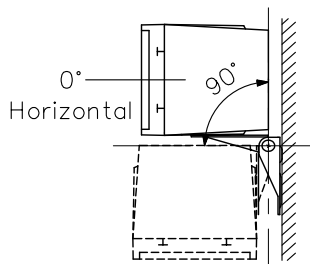


Satellite speaker mounting bracket

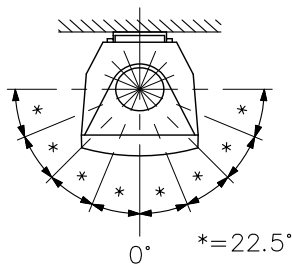
Ceiling mounted View



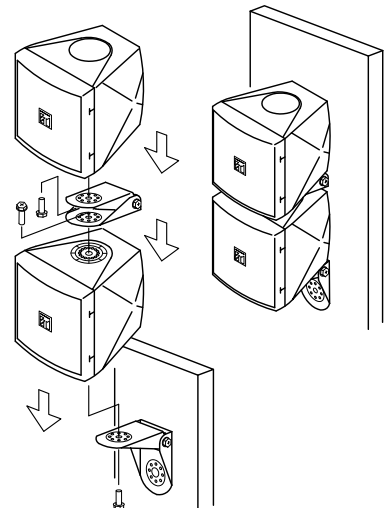
Wall mounted View



Side View



Top View



UNIT:mm SCALE:1/2

Note: Screw to mount the bracket onto the ceiling or wall are not provided.