

## DESCRIPTION

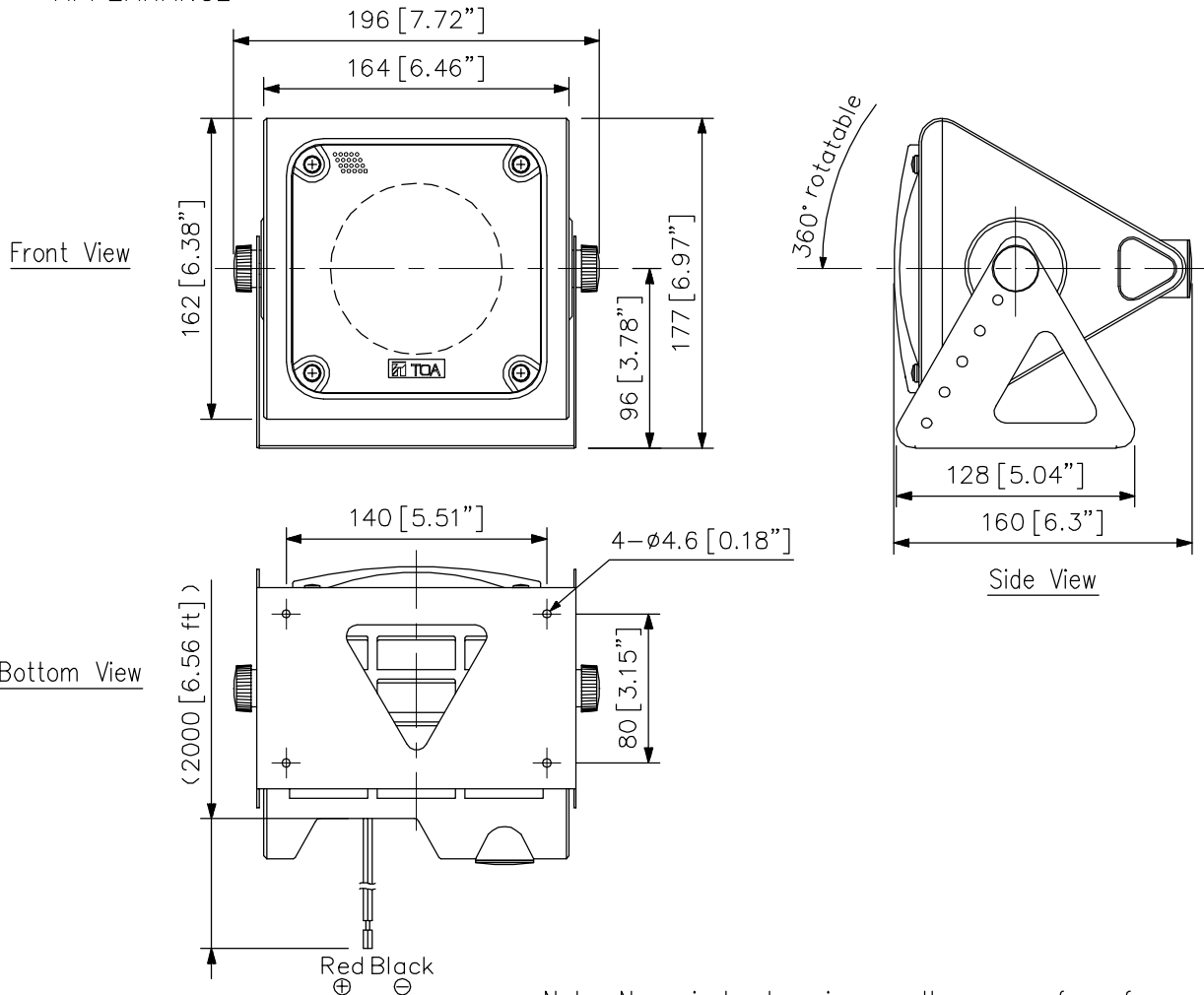
The BS-4W is a splash proof compact speaker with a Sealed-cabinet design. It features a 10 cm (4") full range speaker unit (plastic cone) and meets IPX2 water protection requirements. It can be used under the eaves not directly exposed to rain or waterdrop, or in highly humid locations (locker rooms of swimming pools and bathrooms).

## SPECIFICATIONS

Enclosure Type	Sealed type
Rated Input	5 W
Rated Impedance	100 V line: 2 kΩ (5 W)
Sensitivity	87 dB (1 W, 1 m)
Frequency Response	100 Hz - 12 kHz
Speaker Component	10 cm (4") cone type (plastic cone)
Water Protection	IPX2
Operating Temperature Range	-20 °C to +55 °C (-4 °F to 131 °F)
Finish	Enclosure: Polypropylene, gray, paint Grille: Aluminum punching net, silver gray, paint Mounting bracket: Rolled steel plate, gray, paint
Dimensions	196 (W) x 177 (H) x 160 (D) mm (7.72" x 6.97" x 6.3")
Weight	1.5 kg (3.31 lb)

- ※ Be sure to position the speaker with its opening facing down from the horizontal axis. Doing otherwise may cause rainwater to accumulate inside the opening, possibly resulting in unit malfunction.
- ※ Do not use the speaker in locations such as poolside where the speaker is always exposed to water splash, or in high-temperature and high-humidity locations such as bathrooms and steam saunas where dew condensation may form. Besides, do not dash water directly on the speaker.

## APPEARANCE



Note: Numerical values in parentheses are for reference only.

UNIT: mm SCALE: 1/4