

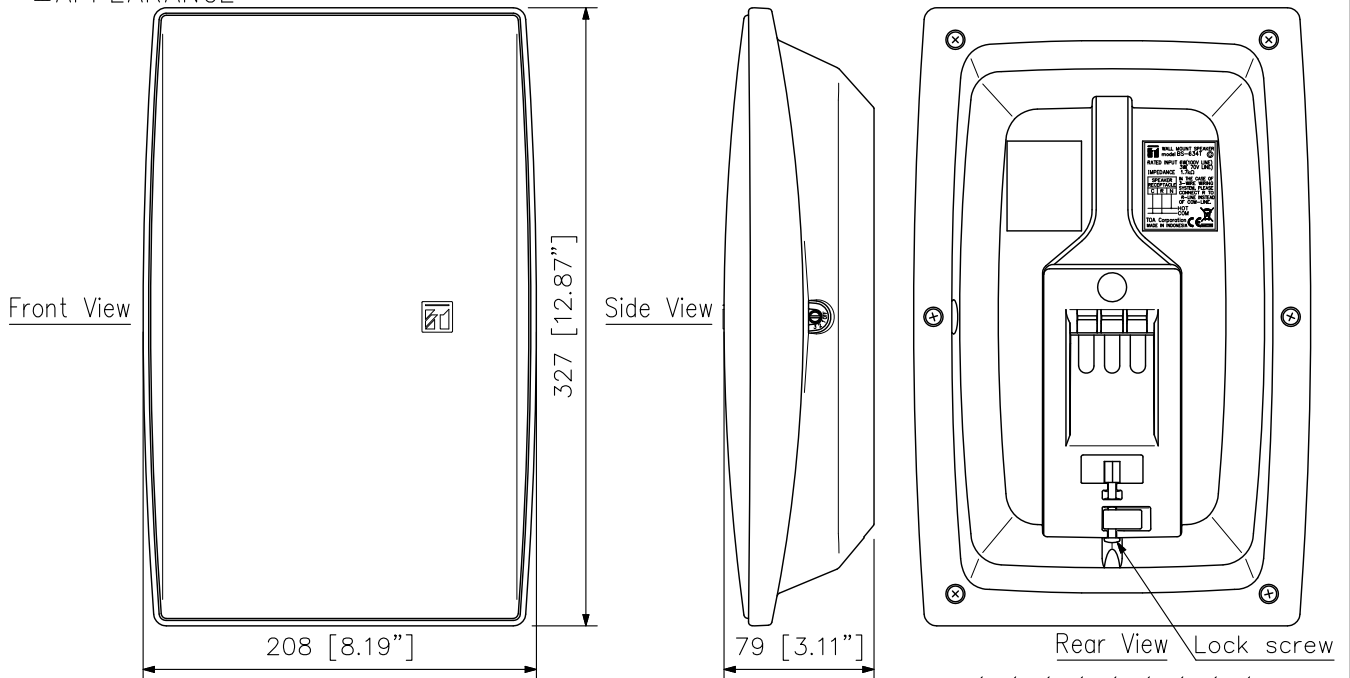
DESCRIPTION

The BS-634T can be installed easily on the wall with help of the plug-in speaker receptacle.

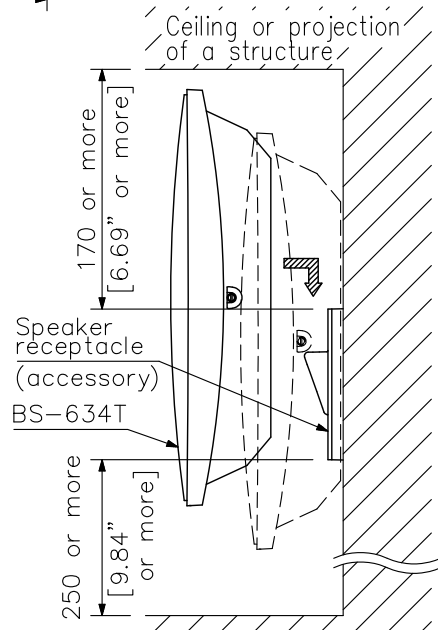
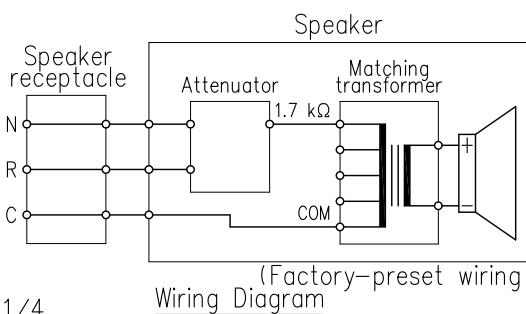
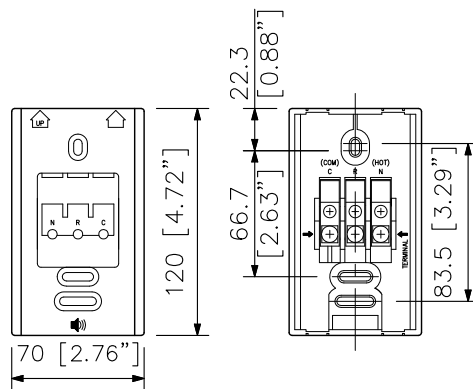
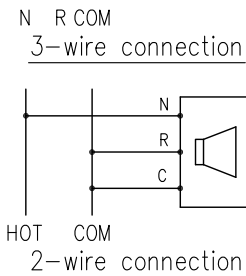
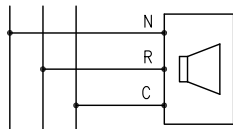
SPECIFICATIONS

| | |
|--------------------|--|
| Rated Input | 6 W |
| Rated Impedance | 100 V line: 1.7 kΩ (6 W) 70 V line: 1.7 kΩ (3 W) |
| Sensitivity | 90 dB (1 W, 1 m) |
| Frequency Response | 120 Hz – 18 kHz |
| Speaker Component | 12 cm (5") cone-type |
| Input Connector | M4 screw terminal, distance between barriers: 11 mm (0.43") |
| Attenuation | OFF (NC), 1 (-12 dB), 2 (-6 dB), 3 (0 dB) |
| Finish | Enclosure: HIPS resin (fire resistant grade UL94 V-0 or its equivalent), off-white (RAL 9010 or equivalent color) Net: Surface-treated steel plate, off-white (RAL 9010 or equivalent color), paint |
| Dimensions | 208 (W) × 327 (H) × 79 (D) mm (8.19" × 12.87" × 3.11") |
| Weight | 1.3 kg (2.87 lb) |
| Accessory | Speaker receptacle ---1, Wall mounting screw ---2 |

APPEARANCE



Enlarged view of speaker receptacle



Note: As a force of approx. 18 kg (39.68 lb) is applied to the speaker receptacle at the time of speaker installation, attach it in a location durable enough to withstand the force.
Installation view (scale: 1/6)

UNIT: mm SCALE: 1/4