

The CS-154BS is certified according to the European Standard EN 54-24: 2008, the International Standard ISO 7240-24: 2010 and in compliance with the British Standard BS 5839-8: 2008 14.8. DoP number is 20-007.

■ DESCRIPTION

The CS-154BS is the voice alarm certification product.  
 The CS-154BS Wide range speaker features an ABS resin enclosure and stainless steel bracket for all weather durability.  
 It is comprised of a high-efficiency weather-resistant horn and a high quality sound cone speaker, providing clear and highly directional sound reproduction.  
 The CS-154BS is equipped with a constant directivity horn (90° horizontal) to control sound directivity, realizing uniform and clear sound dispersion over a wide area.

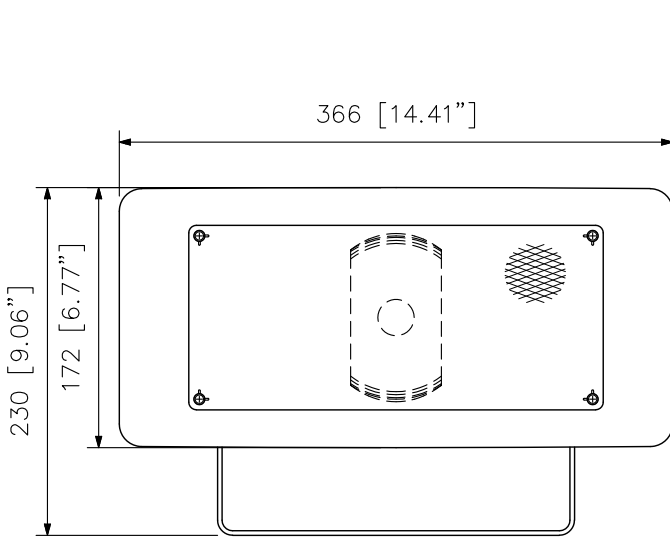
■ SPECIFICATIONS

Rated Noise Power	15 W (100 V Line and 70 V Line)
Rated Impedance	100 V line: 670 Ω (15 W), 1 kΩ (10 W), 2 kΩ (5 W) 70 V line: 330 Ω (15 W), 670 Ω (7.5 W), 1 kΩ (5 W), 2 kΩ (2.5 W)
Sensitivity	97 dB (1 W, 1 m) (330 Hz - 3.3 kHz, pink noise) ----- 94 dB (1 W, 1 m) (100 Hz - 10 kHz, pink noise) 82 dB (1 W, 4 m) (100 Hz - 10 kHz, pink noise)
Maximum Sound Pressure Level	104 dB (15 W, 1 m) (100 Hz - 10 kHz, pink noise) 92 dB (15 W, 4 m) (100 Hz - 10 kHz, pink noise)
Frequency Response	150 Hz - 15 kHz
Coverage Angle	Horizontal: 185° (500 Hz), 90° (1 kHz), 90° (2 kHz), 90° (4 kHz) Vertical: 210° (500 Hz), 145° (1 kHz), 85° (2 kHz), 45° (4 kHz)
Environmental Type	B (outdoor applications)
Speaker Component	12 cm (5") cone-type (treated for splash proof)
Operating Temperature	-20 °C to +55 °C (-4 °F to 131 °F)
Dust/Water Protection	IP65
Speaker Mounting Method	Wall-mount
Cable Gland	Size: PG 13.5 One cable gland is factory-installed. For bridge connection, one cable gland can be added.*
Applicable Cable Size	Outer diameter: Ø8-12.5 mm Conductor: Solid wire or 7-core wire No bridge connection: 0.8 - 10 mm² (AWG18-AWG7) for solid wire, 0.8 - 8 mm² (AWG18-AWG8) for 7-core wire Bridge connection: 0.8 - 2.5 mm² (AWG18-AWG13) for solid wire, 0.8 - 1.5 mm² (AWG18-AWG15) for 7-core wire
Cable Connection	Screw terminal (steatite), can be bridge-connected
Finish	Horn, Cover, and Terminal cover: ABS resin, off-white, paint Bracket: Stainless steel Net: Aluminum, gray, paint Screw: Stainless steel
Dimensions	366 (W) × 230 (H) × 310 (D) mm (14.41" × 9.06" × 12.2")
Weight	3.0 kg (6.61 lb)
Accessory	Terminal cover-1

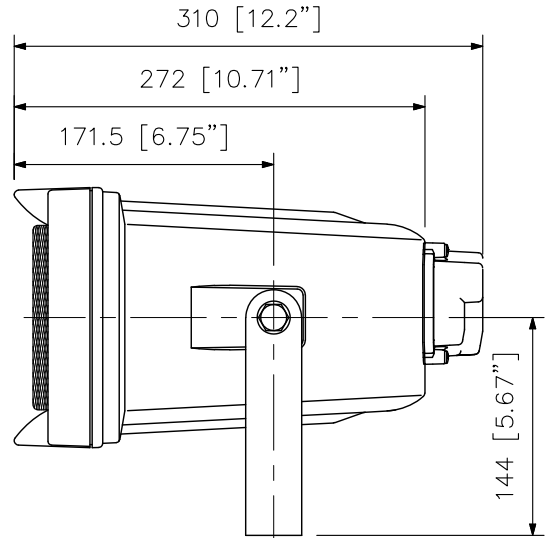
\*Suppliable cable gland's part cord and name: 525-52-011-70 Cable gland AVC PGB13.5-12 (GRY)

[Note] Never connect the 330 Ω position to the 100 V line.

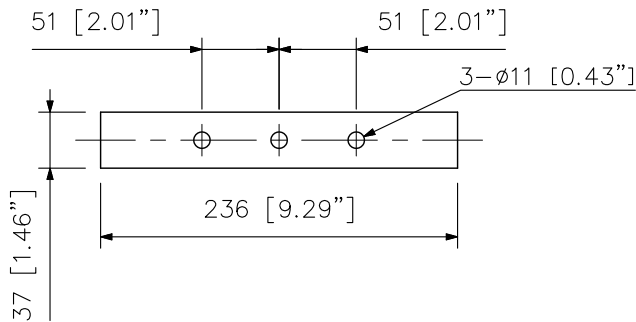
■ APPEARANCE



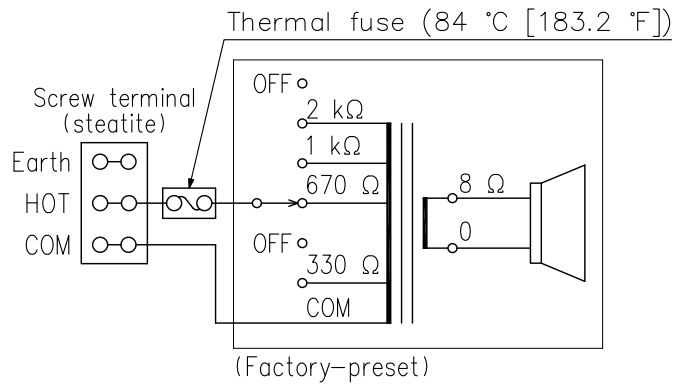
Front View



Side View



Dimensional Diagram



Wiring Diagram

UNIT:mm SCALE:1/5