

DESCRIPTION

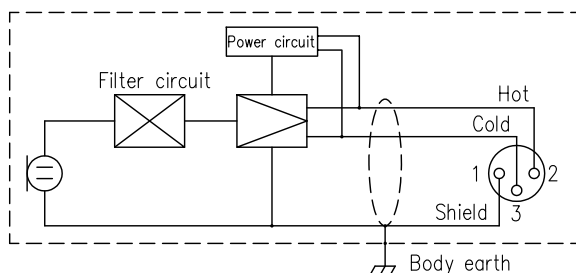
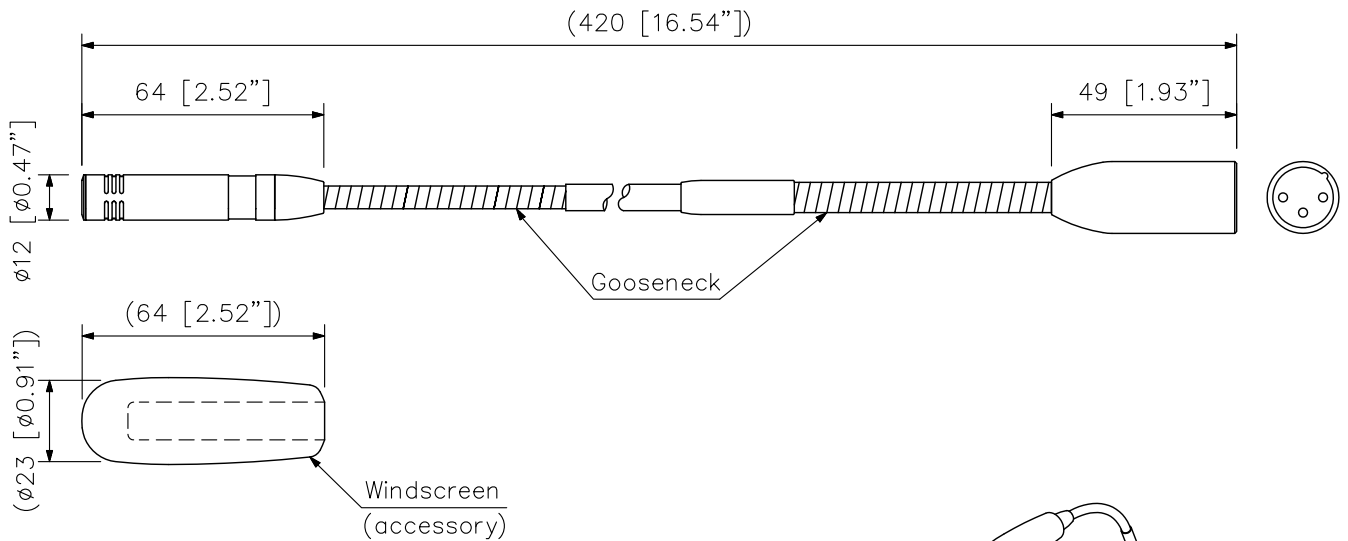
The EM-800 is a slim, high-quality, cardioid condenser microphone designed for use in conference rooms, lecture halls, and paging applications. It can be easily plugged into a dedicated optional ST-800 Microphone Stand.

SPECIFICATIONS

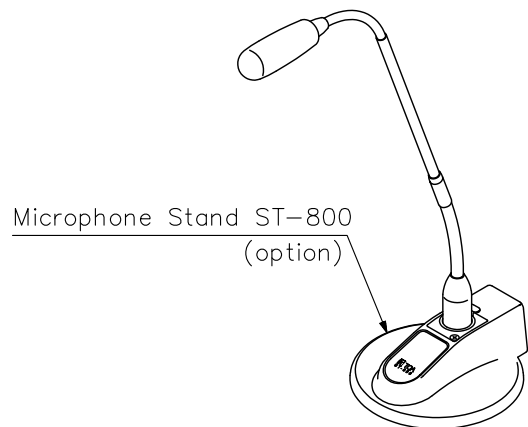
|                       |   |
|-----------------------|---|
| Element               | Electret condenser                                  |
| Polar Pattern         | Cardioid  |
| Rated Impedance       | 120 Ω, balanced                                     |
| Rated Sensitivity     | -35 dB (1 kHz 0 dB=1 V/Pa)                          |
| Phantom Power         | 9 - 52 V DC   |
| Frequency Response    | 60 Hz - 20 kHz                                      |
| Output Connector      | XLR-3-12 equivalent                                 |
| Operating Temperature | 0 °C to +40 °C (32 °F to 104 °F)                    |
| Finish                | Body, Shaft: Copper alloy, black, semi-gloss, paint |
| Dimensions            | ∅12 × 420 mm (∅0.47" × 16.54")                      |
| Weight                | 135 g (0.3 lb)                                      |
| Accessory             | Windscreen *1                                       |
| Usable Stand          | Microphone Stand: ST-800 (option)                   |

\* The EM-800 requires 9 - 52 V DC phantom power for operation.

APPEARANCE



Circuit diagram



Mounting example

UNIT:mm SCALE:1/2