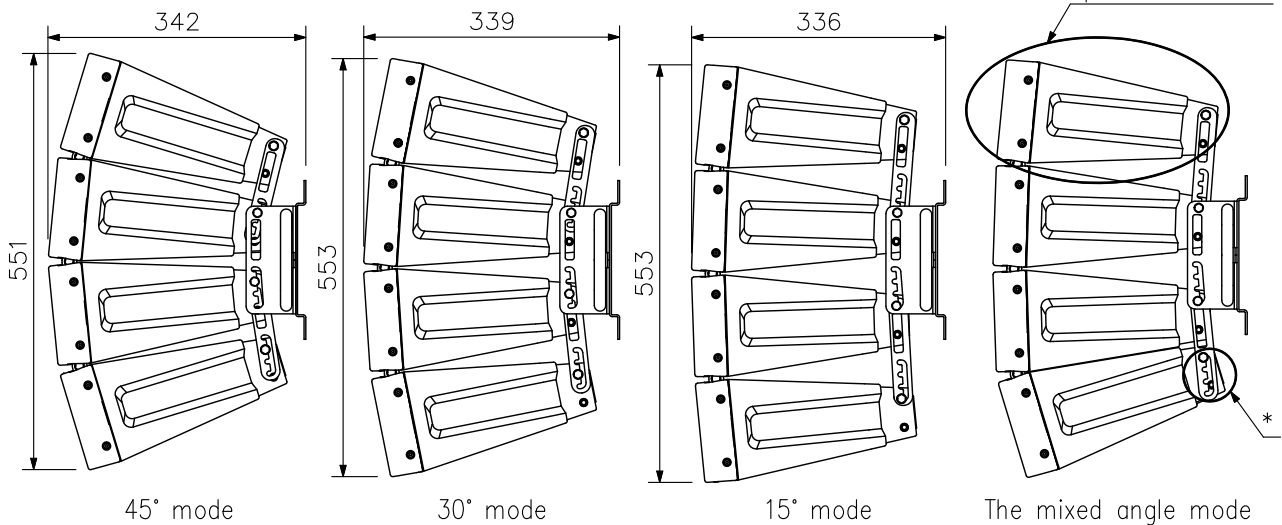


■ **APPEARANCE**

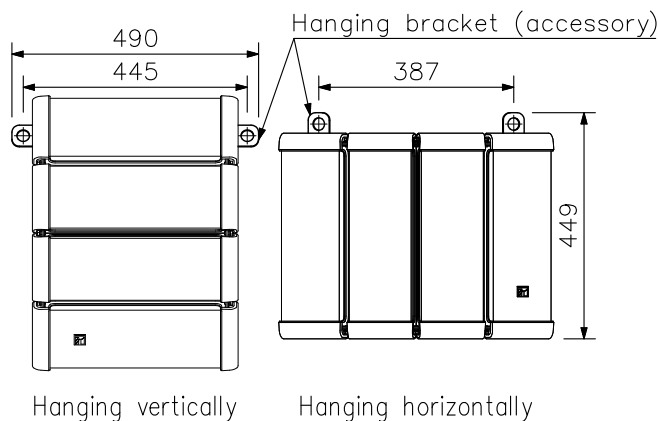
Example for directivity angle modes



The mixed angle mode
* The angle between the successive speaker modules can be changed by four steps individually.

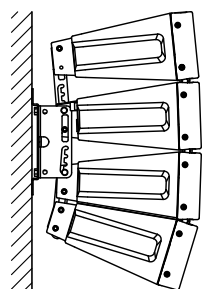
Example for hanging bracket mounting

(scale: 1/15)



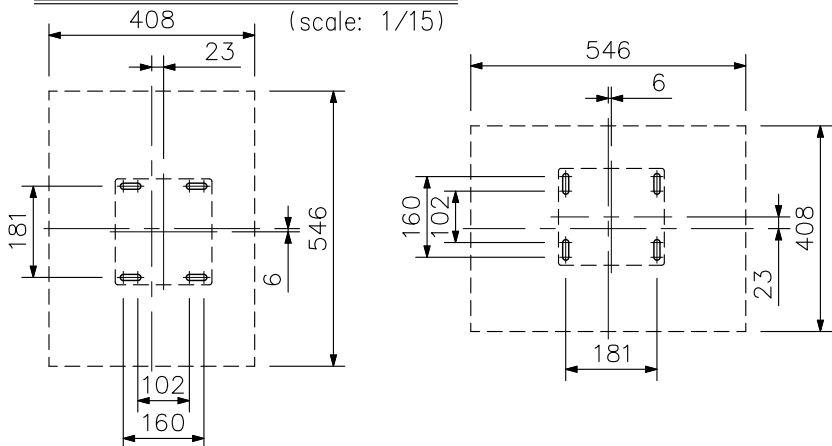
Example for direct wall mounting

(scale: 1/15)



Dimensions for direct wall mounting

(scale: 1/15)



UNIT:mm SCALE:1/10