

DESCRIPTION

The PE-304BU is a pendant speaker designed for the installations suspended from a ceiling. A directly-attached 5 m (16.4 ft) hanging wire allows the speaker to be suspended from high ceilings. The PE-304BU is driven on both high-impedance (100 V, 70 V and 25 V) and low-impedance (8 Ω) lines. The input power (impedance) can be easily changed at the upper side of the speaker.

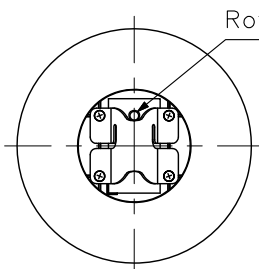
The PE-304BU is certified to UL 1480 UUMW and ULC-S541 standards. Using the supplied GRIPPLE® hangers will facilitate the speaker mounting height adjustment.

SPECIFICATIONS

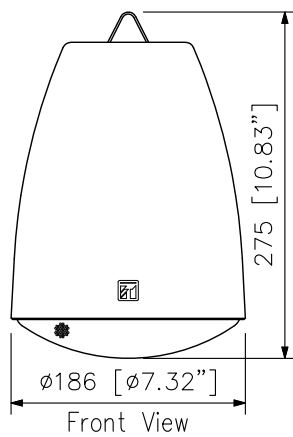
Enclosure	Bass-reflex type
Rated Input	30 W (100 V, 70 V line, 8 Ω), 3.7 W (25 V line)
Rated Impedance	100 V line: 330 Ω (30 W), 1 kΩ (10 W), 3.3 kΩ (3 W), 10 kΩ (1.3 W) 70 V line: 170 Ω (30 W), 330 Ω (15 W), 1 kΩ (5 W), 3.3 kΩ (1.5 W), 10 kΩ (0.6 W) 25 V line: 170 Ω (3.7 W), 330 Ω (1.9 W), 1 kΩ (0.6 W), 3.3 kΩ (0.2 W), 10 kΩ (0.1 W) Low impedance: 8 Ω
Sensitivity	90 dB (1 W, 1 m) (330 Hz – 3.3 kHz, pink noise)
Frequency Response	95 Hz – 20 kHz (-10 dB)
Speaker Component	12 cm (5") cone-type + balanced dome-tweeter (coaxial)
UL Code	UL 1480 UUMW, ULC-S541
Operating Temperature	-10 °C to +50 °C (14 °F to 122 °F)
Finish	Enclosure: ABS resin, black, Grille: Surface-treated steel plate mesh, black, paint
Dimensions	∅186 × 275 (H) mm (∅7.32" × 10.83") (unit only)
Weight	2 kg (4.41 lb) (unit only)
Accessory	GRIPPLE® No.1 ...1, GRIPPLE® No.2 ...1, Release key (for GRIPPLE®)...1, Safety wire (∅1.5 mm (∅0.06")) ...1, Hanging wire (∅2 mm (∅0.08")) ...1, Speaker Cable (4-core FPL listed cable 4.6 m (15.09 ft)) ...1 * GRIPPLE® No.1 and No.2 are hangers for suspending the speaker.

* GRIPPLE® is a registered trademark of Gripple Limited, England.

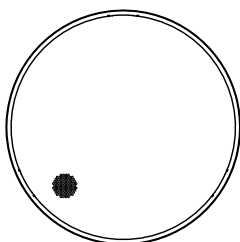
APPEARANCE



Top View

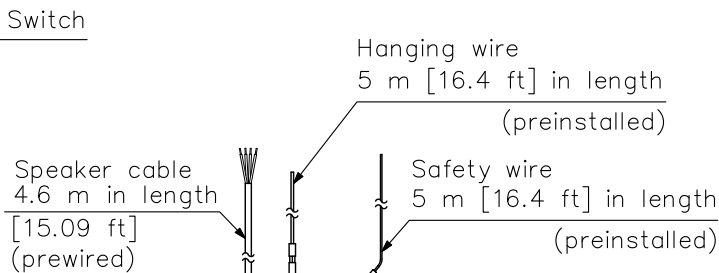


Front View



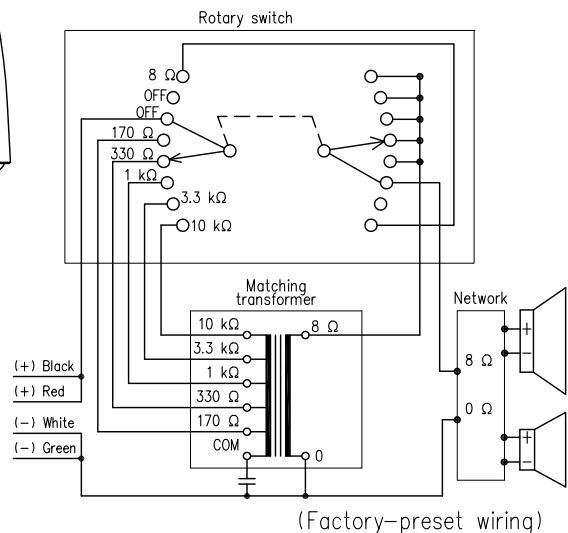
Bottom View

UNIT: mm SCALE: 1/6



Side View

Wiring Diagram



(Factory-preset wiring)

* Never connect the 170 Ω terminal to the 100 V line.
* Never connect the 8 Ω terminal to the 100 V or 70 V or 25 V line.