

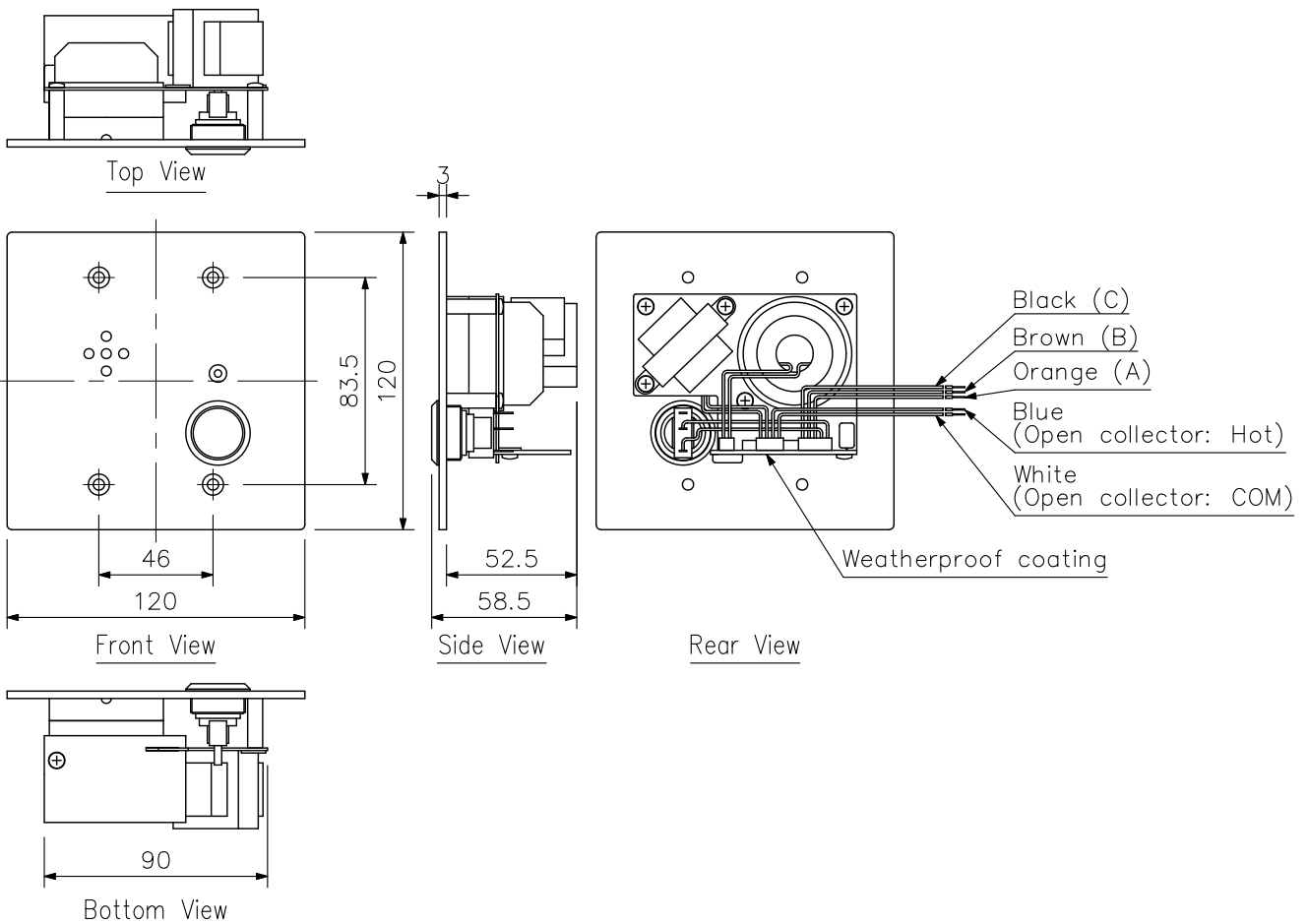
DESCRIPTION

The RS-180 can call and converse with the registered master stations.
It has a indicator lamp and control output channel, and utilizes a 2-core shielded cable.

SPECIFICATIONS

| | |
|-----------------------|---|
| Rated Input | 1 W |
| Rated Impedance | 625 Ω (1 W/25 V) |
| Internal Speaker | 4 cm cone-type |
| Control Output | Open collector, Withstand voltage: 30 VDC, Control current: 30 mA (The open collector output is kept turned on till the conversation is finished after the call button was pressed.) |
| Wiring | Two-core shielded cable |
| Transmission Range | 0.5 km (546 yd)/∅0.5 mm (AWG24) 0.8 km (874 yd)/∅0.65 mm (AWG22) 1.3 km (1421 yd)/∅0.9 mm (AWG19) |
| Operating Temperature | -10 °C to +50 °C (Temperature range not to freeze the speaker and switch) |
| Finish | Panel: Stainless steel, hairline Call button: Metal Printed circuit board: Weather-resistant coating |
| Dimensions | 120 (W) × 120 (H) × 58.5 (D) mm |
| Weight | 570 g |
| Accessory | Box mounting screw (No.6-32UNC × 18)4, Box mounting screw (M4 × 25)4 |
| Applicable Box | For flush-mount: 2-gang electrical box YC-302 (option) For surface-mount: Indoor wall-mount box YC-822 (option), Outdoor wall-mount box YC-823 (option) |

APPEARANCE



UNIT:mm SCALE:1/3