

DESCRIPTION

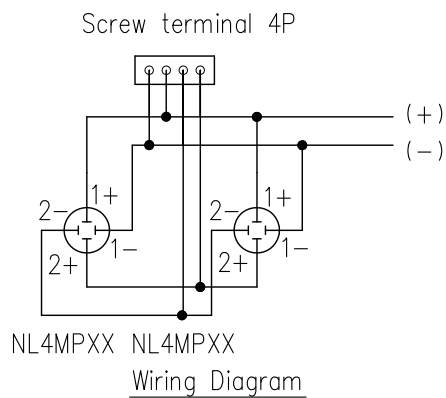
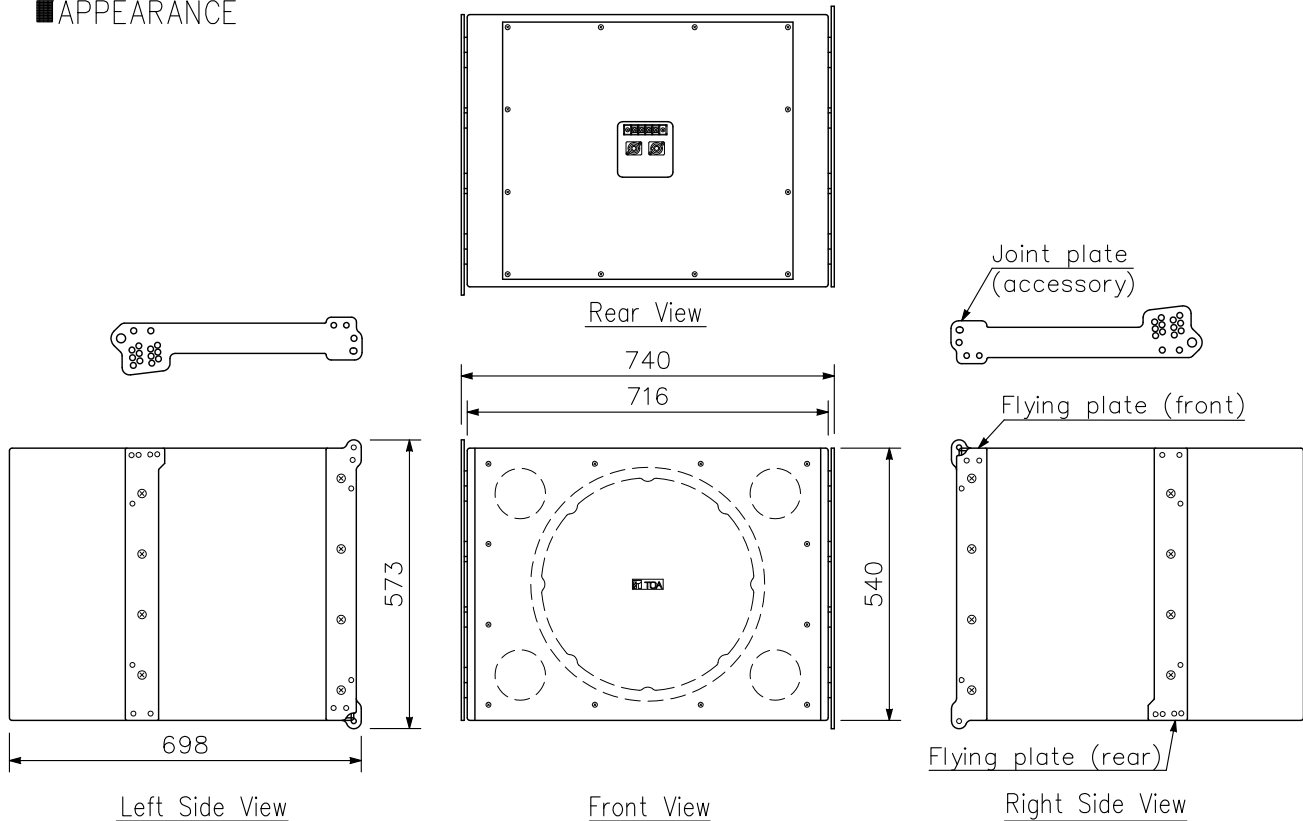
The SR-A18B is a sub-woofer system designed to be used in conjunction with the SR-A12L or SR-A12S Line array speaker.

The SR-A18B employs the multi-amplifier drive system.
Recommended digital speaker processor is the DP-SP3 (option).

SPECIFICATIONS

| | |
|-------------------------|---|
| Enclosure | Bass-reflex type |
| Power Handling Capacity | Continuous program: 720 W |
| Rated Impedance | 8 Ω |
| Sensitivity | 95 dB (1 W, 1 m) |
| Frequency Response | 40 - 400 Hz (when recommended parameters are applied by the optional DP-SP3) |
| Crossover Frequency | 80 Hz (when recommended parameters are applied by the optional DP-SP3) |
| Speaker Component | 46 cm cone-type |
| Input Connector | M4 screw terminal, distance between barriers: 10 mm and Neutrik NL4MPXX × 2 |
| Finish | Enclosure: Plywood, black, paint Front grille: Punched steel plate, black, acrylic paint |
| Dimensions | 740 (W) × 573 (H) × 698 (D) mm |
| Weight | 66 kg (including accessories) |
| Accessory | Joint plate ×2, Joint plate mounting bolt (M10) ×16 |
| Option | Rigging frame: SR-RF12 Digital speaker processor: DP-SP3 |

APPEARANCE



UNIT:mm SCALE:1/15